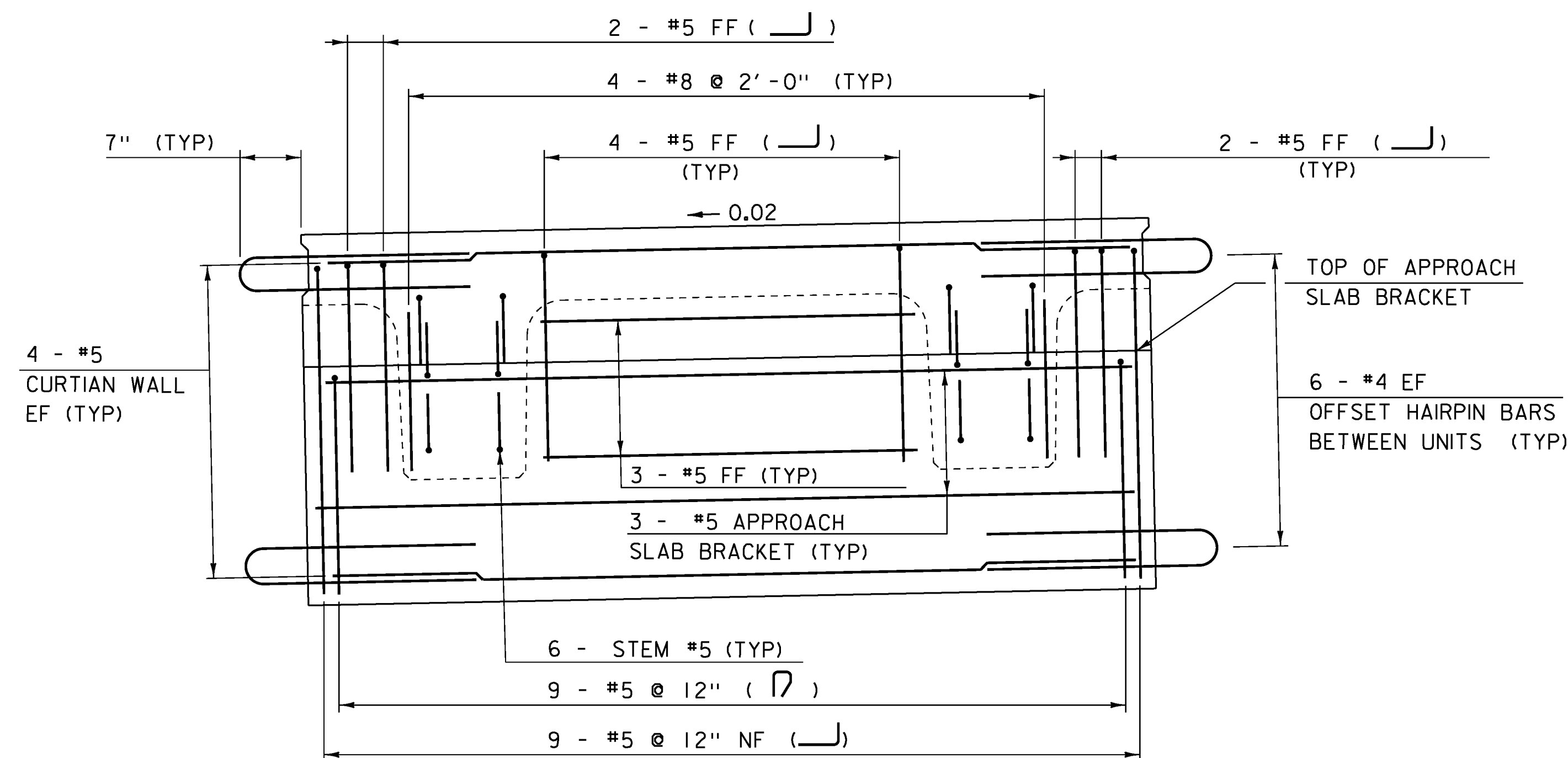


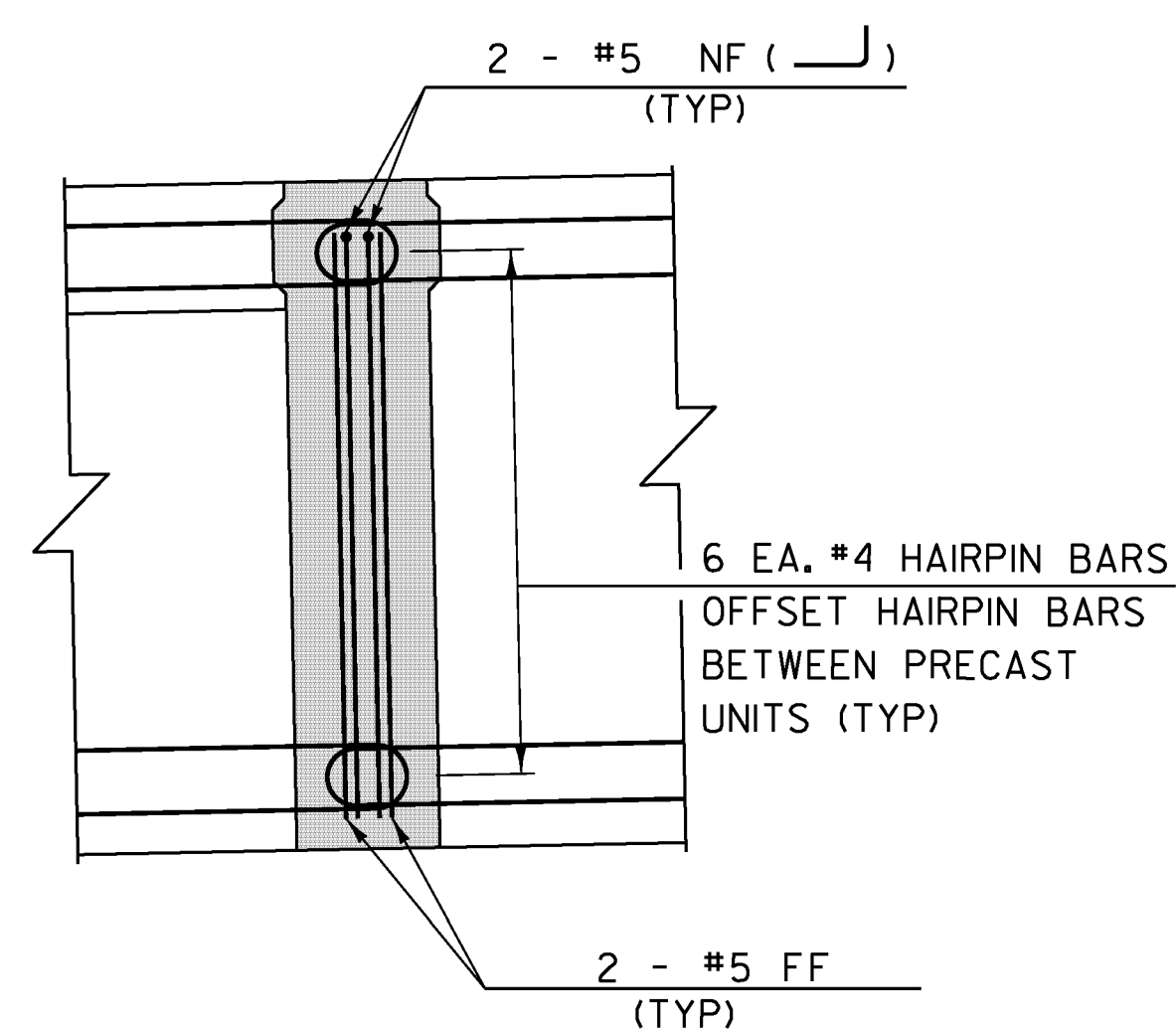
PRECAST CONCRETE CURTAIN WALL BEAM 1 (BEAM 4 SIMILAR)
REINFORCING ELEVATION

SCALE: 1" = 1'-0"



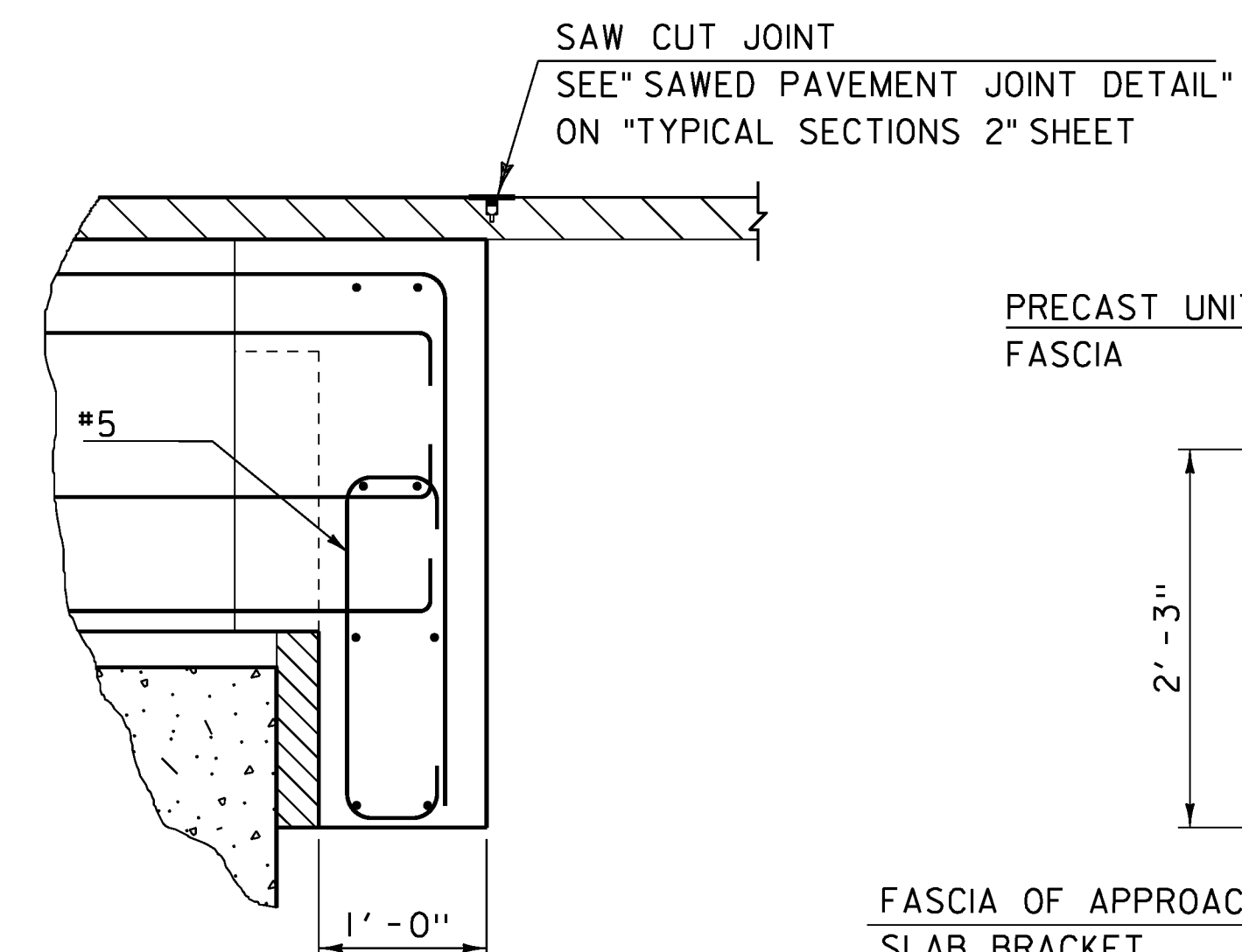
PRECAST CONCRETE CURTAIN WALL BEAM 2 (BEAM 3 SIMILAR)
REINFORCING ELEVATION

SCALE: 1" = 1'-0"



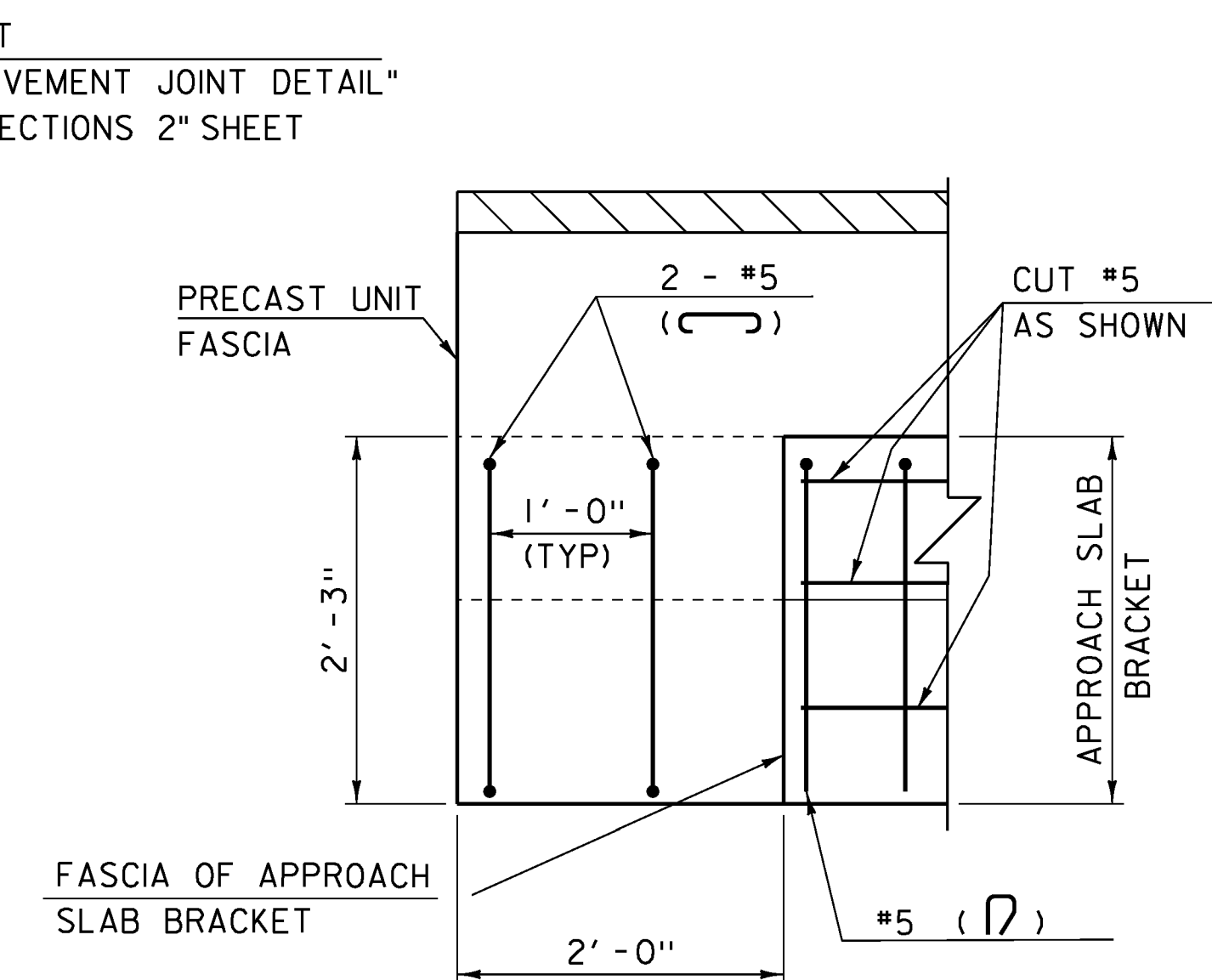
BRIDGE END DETAIL
CLOSURE POUR BACK

SCALE: 1" = 1'-0"



SECTION C - C

SCALE: 1" = 1'-0"



SECTION C - C
ELEVATION

SCALE: 1" = 1'-0"

NOTE: BAR NOMENCLATURE THAT INCLUDES A (SHAPE) DESIGNATION INDICATES BARS SHAPE AND PLACEMENT.

NOTE:

NF = NEAR FACE
FF = FAR FACE
EF = EACH FACE
3" CLEAR, UNLESS OTHERWISE SPECIFIED ON THE PLANS.
2'-7" BAR LAP UNLESS OTHERWISE SPECIFIED ON THE PLANS.

PROJECT NAME: ANDOVER
PROJECT NUMBER: BHF 016-1(29)

FILE NAME: sl2bl40sup.dgn
PROJECT LEADER: C. CARLSON
DESIGNED BY: D. PETERSON
BRIDGE END TYPICAL 2

PLOT DATE: 06-JAN-2015
DRAWN BY: G. ROKES
CHECKED BY: D. PETERSON
SHEET 22 OF 48