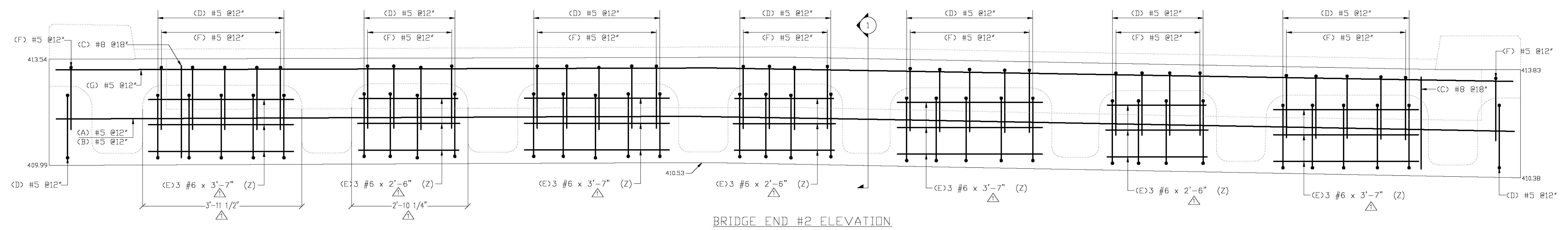


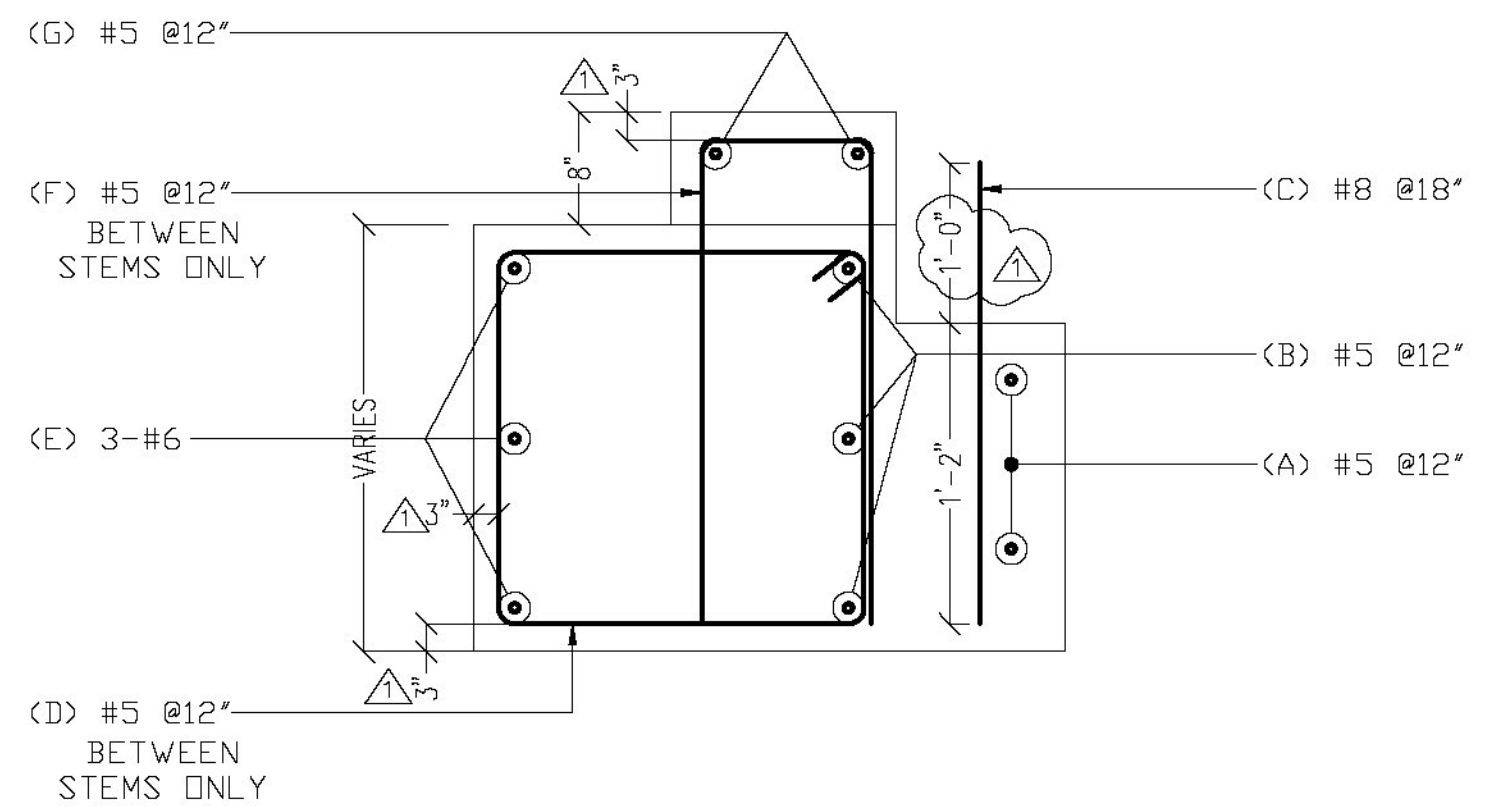
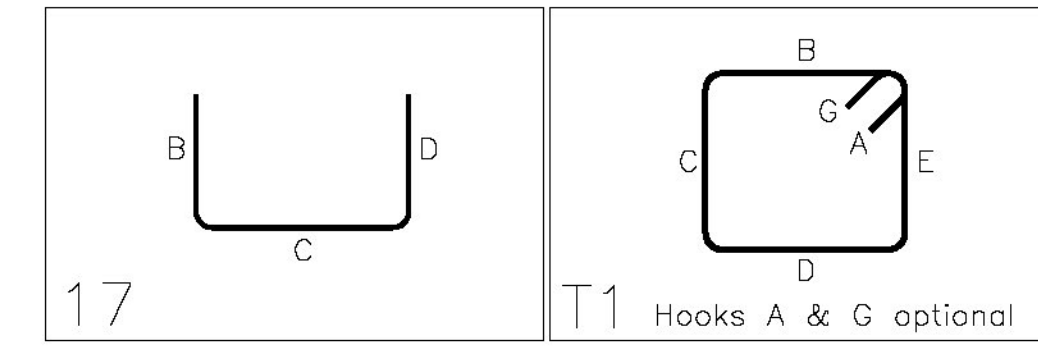
BRIDGE END #2 PLAN



BRIDGE END #2 ELEVATION

Release Number: 004

BAR LIST																
Bar Mark	Qty	Size	Total Length	Type	'A'	'B'	'C'	'D'	'E'	'F'	'G'	'H'	'J'	'K'	'O'	'R'
5CZ01	34	#5	4'-9"	17		2'-0"	0'-9"	2'-0"								
5CZ02	34	#5	7'-1"	T1	0'-5 1/2"	1'-9"	1'-4"	1'-9"	1'-4"		0'-5 1/2"					



SECT. 1
REF. SHEET 51 of 82

ALL DUAL COATED REINF. DENOTED (Z)

ELEVATIONS & DIMENSIONS SHOWN ON THIS DWG. ARE FOR REINF. DETAILING PURPOSES ONLY AND ARE NOT INTENDED FOR CONSTRUCTION.

REINF. BARS ASTM A615 GRADE 60 DUAL COATED

VERIFICATION OF UNCLEAR INFORMATION MAY BE REQUESTED ON THIS DRAWING. SHOULD VERIFICATION BE LEFT UN-ADDRESSED IT WILL REMAIN AS SHOWN AND ASSUME TO BE CORRECT.

FOR APPROVAL

Vermont Agency of Transportation
RECEIVED
 ON: **June 10, 2015**
 and Checked for
CONFORMANCE
 BY: Jennifer Fitch DATE: 06/15/2015

SHOP DRAWING REVIEW

REVIEWED AS REQUIRED BY THE CONSTRUCTION CONTRACT DOCUMENTS AND APPROVED, BUT ONLY FOR CONFORMANCE TO THE DESIGN CONCEPT OF THE WORK, AND SUBJECT TO FURTHER LIMITATIONS AND REQUIREMENTS CONTAINED IN THE CONSTRUCTION CONTRACT DOCUMENTS.

REVISED AND REQUIRMENT REVISION AS CORRECTED

CORRECTIONS OR COMMENTS MADE ON THE SHOP DRAWINGS DURING THIS REVIEW DO NOT RELIEVE CONTRACTOR FROM COMPLIANCE WITH REQUIREMENTS OF THE DRAWINGS AND SPECIFICATIONS. THIS CHECK IS ONLY FOR REVIEW OF GENERAL CONFORMANCE WITH THE DESIGN CONCEPT OF THE PROJECT AND GENERAL COMPLIANCE WITH THE INFORMATION GIVEN IN THE CONTRACT DOCUMENTS. THE CONTRACTOR IS RESPONSIBLE FOR CONFIRMING AND CORRELATING ALL QUANTITIES AND DIMENSIONS, SELECTING FABRICATION PROCESSES AND TECHNIQUES OF CONSTRUCTION, COORDINATING HIS WORK WITH THAT OF ALL OTHER TRADES, AND PERFORMING HIS WORK IN A SAFE AND SATISFACTORY MANNER.

40 Box Drive Building 100, Suite 200 South Burlington, VT 05403 802.497.6300

Job Number: 57632.00
 Reviewed By: E.F. LAWES
 Date: June 12, 2015

6			
5			
4			
3			
2	6/10/15	REVISED/ENG. COMM/FOR APPROVAL	
1	4/29/15	FOR APPROVAL	
DATE	REV.#	SENT FOR	
STRUCTURE	CASTLETON BR# 015-2(10) CLOSURE POURS REINFORCING		
LOCATION	CASTLETON, VT		
ARCHITECT			
ENGINEER			
CUSTOMER	W.M. SCHULTZ CONSTRUCTION INC.		
DRAWN BY	Ed Eras	DATE	4/29/15
		DPI #	9248
DRAWING COVERS	BRIDGE END #2		DRAWING #
DUAL COATED REINFORCING			D