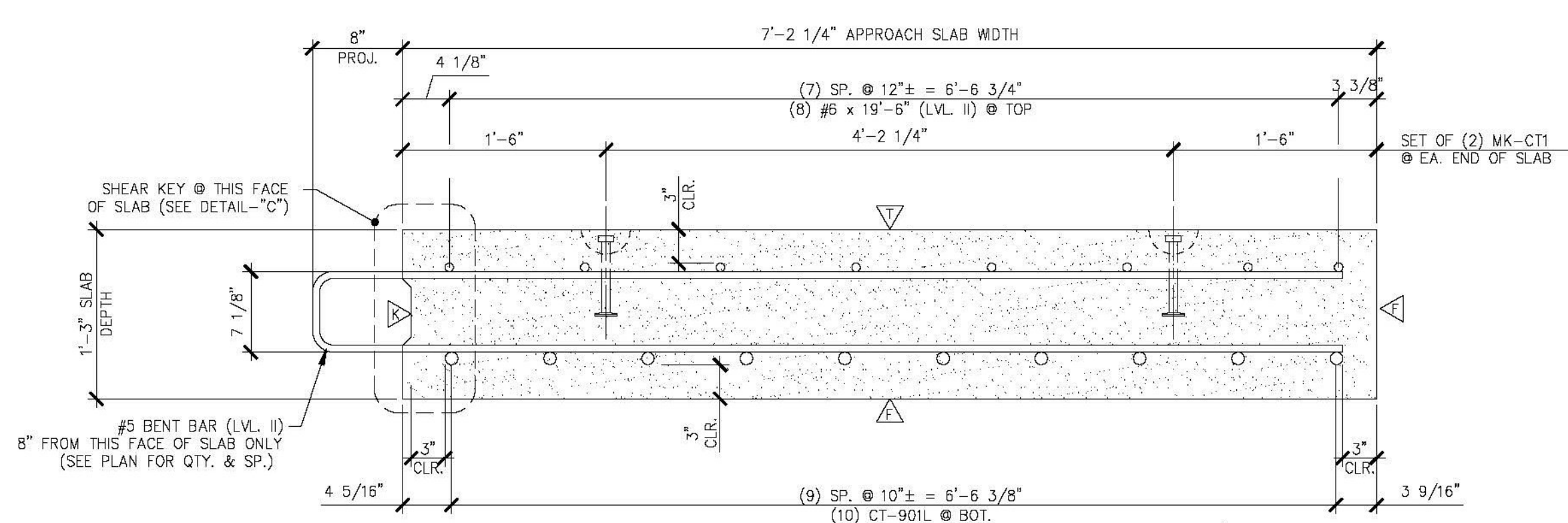
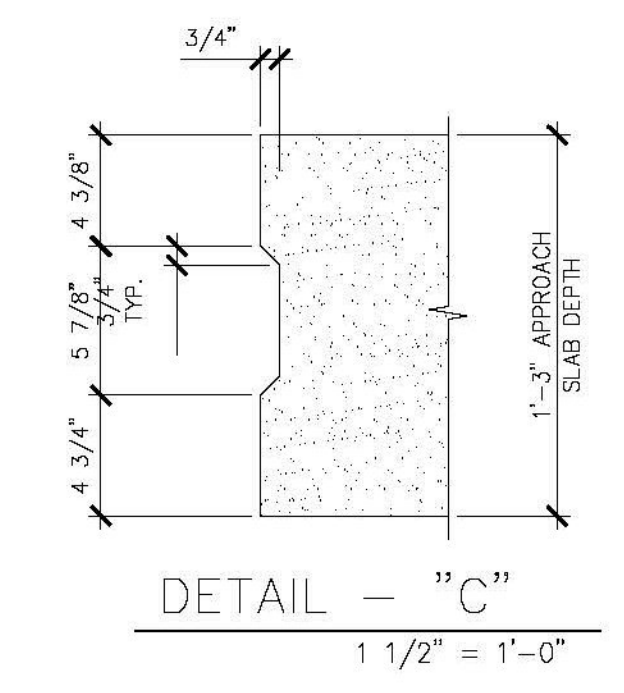


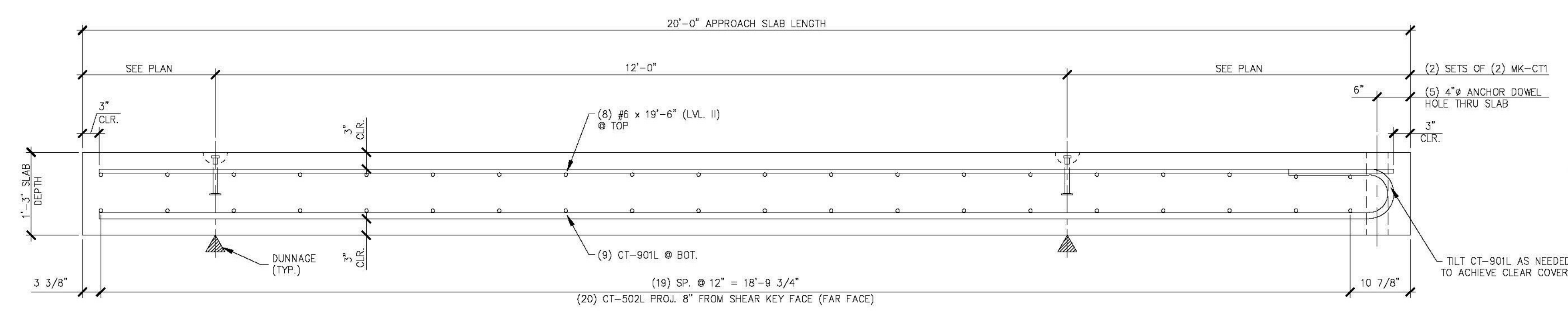
1 APPROACH SLAB PLAN VIEW IN FORM
AS4
1/2" = 1'-0"



A TRANSVERSE SECTION
AS4
1" = 1'-0"



DETAIL - "C"
1 1/2" = 1'-0"



B LONGITUDINAL SECTION
AS4
3/4" = 1'-0"

Vermont Agency of Transportation
RECEIVED
ON: **May 26, 2015**
and Checked for
CONFORMANCE
BY: Jennifer Fitch DATE: 05/28/2015

SHOP NOTE:
f_c = 4,000 PSI
f_{ci} = 3,500 PSI
MIX: #445MSCC

SHOP DRAWING REVIEW

REVIEWED AS REQUIRED BY THE CONSTRUCTION CONTRACT DOCUMENTS AND APPROVED, BUT ONLY FOR CONFORMANCE TO THE DESIGN CONCEPT OF THE WORK, AND SUBJECT TO FURTHER LIMITATIONS AND REQUIREMENTS CONTAINED IN THE CONSTRUCTION CONTRACT DOCUMENTS.

SELECTED REVISE AND RESUBMIT FURNISH AS CONNECTED

CORRECTIONS OR COMMENTS MADE ON THE SHOP DRAWINGS DURING THIS REVIEW DO NOT RELIEVE CONTRACTOR FROM COMPLIANCE WITH REQUIREMENTS OF THE DRAWINGS AND SPECIFICATIONS. THIS CHECK IS ONLY FOR REVIEW OF GENERAL CONFORMANCE WITH THE DESIGN CONCEPT OF THE PROJECT AND GENERAL COMPLIANCE WITH THE INFORMATION GIVEN IN THE CONTRACT DOCUMENTS. THE CONTRACTOR IS RESPONSIBLE FOR: CONFIRMING AND CORRELATING ALL QUANTITIES AND DIMENSIONS; SELECTING FABRICATION PROCESS AND TECHNIQUES OF CONSTRUCTION; COORDINATING HIS WORK WITH THAT OF ALL OTHER TRADES; AND PERFORMING HIS WORK IN A SAFE AND SATISFACTORY MANNER.

vhb 40 HDX Drive
Building 100, Suite 200
South Burlington, VT 05403
802.457.6100

Job Number: 57632.00
Reviewed By: E.F. LAWES
Date: May 27, 2015

MARK:	CT-AS4	QTY.:	2	WT.:	13.48 T	VOL.:	6.65 cy
MATERIAL LIST / APPROACH SLAB							
ITEM	MARK	DESCRIPTION	QTY.				
			CT-AS4				
1	CT-502L	#6 BENT BAR (LEVEL II, DUAL COATED)	20				
2							
3							
4	CT-901L	#9 BENT BAR (LEVEL II, DUAL COATED)	10				
5		#6 x 19'-6" (LEVEL II, DUAL COATED)	8				
6							
7							
8	MK-CT1	4T x 7 1/8" SWFT LIFT LIFTER	4				
9		4" O.D. x 1'-3" PVC SLEEVE	5				
10							

APPROVAL STAMP:

J.P. CARRARA & SONS INC. Precast & Prestress Manufacturer 2464 GISE STR., MIDDLEBURY, VERMONT 05753 Phone:(802)388-6361 Fax:(802)388-9010		SCHULTZ CONSTRUCTION CONTRACTOR BALLSTON SPA, NY	
STATE OF VERMONT AGENCY OF TRANSPORTATION COUNTY OF RUTLAND		DATE: MAY 06, 2015 SCALE: NOTED	
TOWN OF CASTLETON VT ROUTE 30 (RURAL MINOR ARTERIAL) BRIDGE NO.: 93 PROJECT NO.: BRF 015-2(10)		CHKD: R.M.	DFTM: PSS
PRECAST APPROACH SLAB DETAILS "CT-AS4"		JOB NO: 23456-015	DWG. NO: AS4