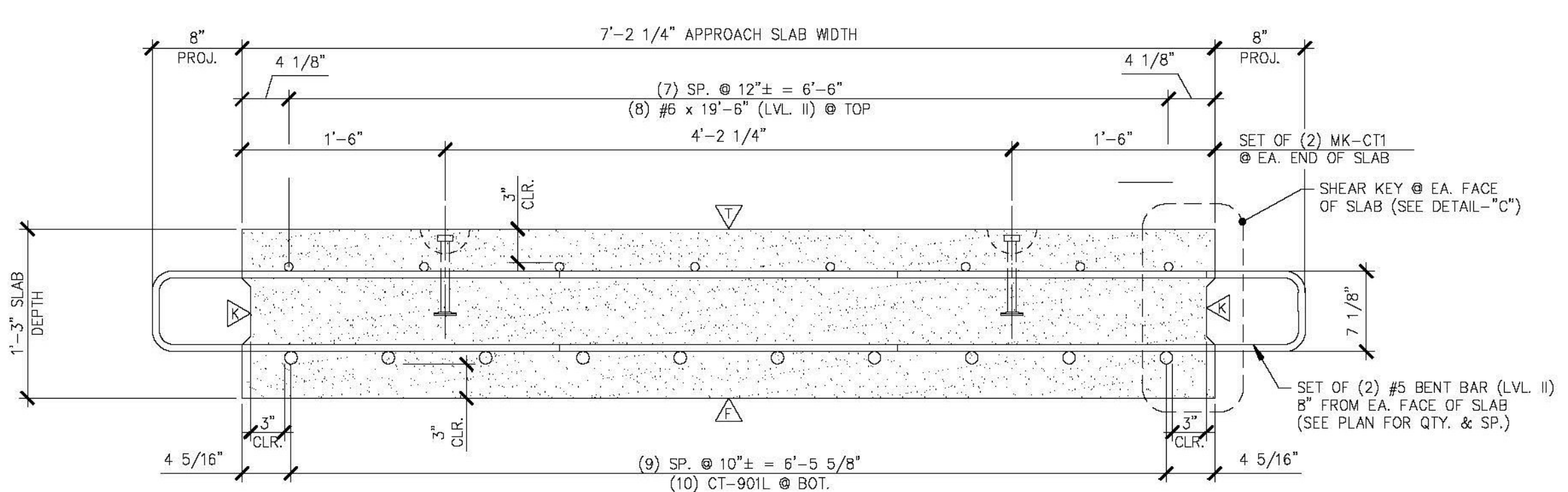
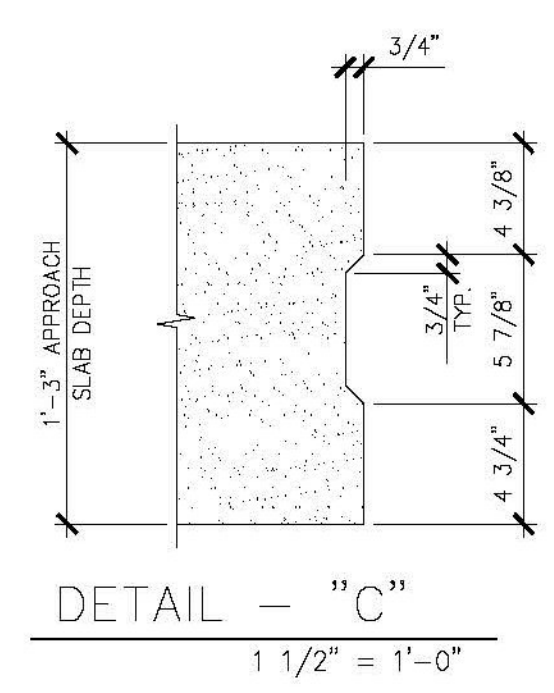


1 APPROACH SLAB PLAN VIEW IN FORM
AS2
1/2" = 1'-0"

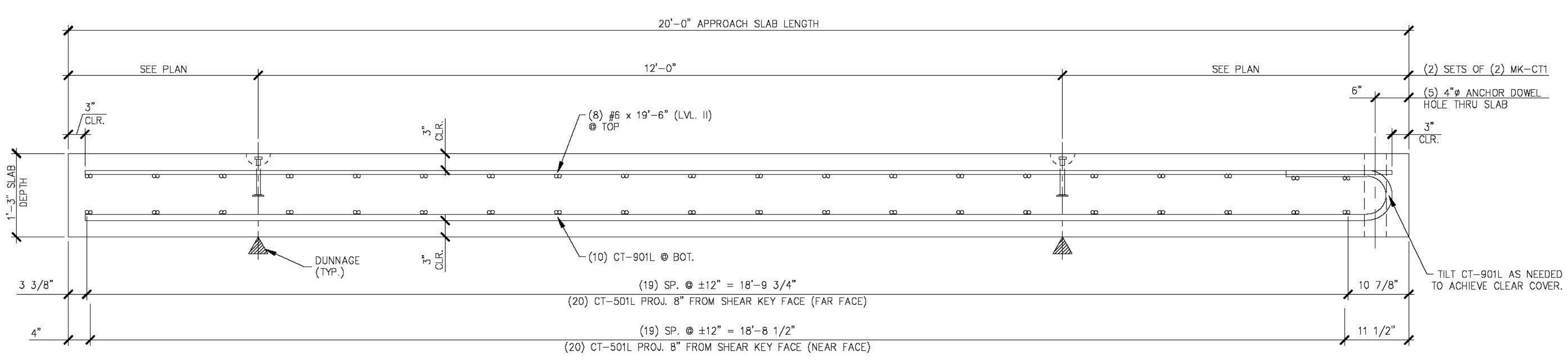


A TRANSVERSE SECTION
AS2
1" = 1'-0"

- ▲ DENOTES FORM FINISH
- ▲ DENOTES FLOAT FINISH
- ▲ DENOTES ROUGHENED FINISH



DETAIL - "C"
1 1/2" = 1'-0"



B LONGITUDINAL SECTION
AS2
3/4" = 1'-0"

SHOP DRAWING REVIEW

REVIEWED AS REQUIRED BY THE CONSTRUCTION CONTRACT DOCUMENTS AND APPROVED, BUT ONLY FOR CONFORMANCE TO THE DESIGN CONCEPT OF THE WORK, AND SUBJECT TO FURTHER LIMITATIONS AND REQUIREMENTS CONTAINED IN THE CONSTRUCTION CONTRACT DOCUMENTS.

REJECTED REVISE AND RESUBMIT FURNISH AS CORRECTED

CORRECTIONS OR COMMENTS MADE ON THE SHOP DRAWINGS DURING THIS REVIEW DO NOT RELIEVE CONTRACTOR FROM COMPLIANCE WITH REQUIREMENTS OF THE DRAWINGS AND SPECIFICATIONS. THIS CHECK IS ONLY FOR REVIEW OF GENERAL CONFORMANCE WITH THE DESIGN CONCEPT OF THE PROJECT AND GENERAL COMPLIANCE WITH THE INFORMATION GIVEN IN THE CONTRACT DOCUMENTS. THE CONTRACTOR IS RESPONSIBLE FOR CONFIRMING AND CORRELATING ALL QUANTITIES AND DIMENSIONS, SELECTING FABRICATION PROCESSES AND TECHNIQUES OF CONSTRUCTION, COORDINATING HIS WORK WITH THAT OF ALL OTHER TRADES AND PERFORMING HIS WORK IN A SAFE AND SATISFACTORY MANNER.

vhb
401 IIX Drive
Building 100, Suite 200
South Burlington, VT 05403
802.497.6100

Job Number: 57632.00
Reviewed By: E.F. LAWES
Date: May 27, 2015

SHOP NOTE:	
f _c = 4,000 PSI	
f _{ci} = 3,500 PSI	
MIX: #445MSCC	

MARK: CT-AS2	QTY.: 2	WT.: 13.48 T	VOL.: 6.65 cy
MATERIAL LIST / APPROACH SLAB			
ITEM	MARK	DESCRIPTION	QTY.
1	CT-501L	#6 BENT BAR (LEVEL II, DUAL COATED)	40
2			
3			
4	CT-901L	#9 BENT BAR (LEVEL II, DUAL COATED)	10
5		#6 x 19'-6" (LEVEL II, DUAL COATED)	8
6			
7			
8	MK-CT1	4T x 7 1/8" SWIFT LIFT LIFTER	4
9		4" O.D. x 1'-3" PVC SLEEVE	5
10			

APPROVAL STAMP:

<p>J.P. CARRARA & SONS INC. Precast & Prestress Manufacturer 2464 CASE STR., MIDDLEBURY, VERMONT 05753 Phone:(802)368-6361 Fax:(802)388-9010</p>	<p>SCHULTZ CONSTRUCTION CONTRACTOR BALLSTON SPA, NY</p>
	<p>DATE: MAY 06, 2015 SCALE: NOTED</p>
<p>STATE OF VERMONT AGENCY OF TRANSPORTATION COUNTY OF RUTLAND</p>	<p>CHKD: R.M. DFTM: PSS JOB NO: 23456-015</p>
<p>TOWN OF CASTLETON VT ROUTE 30 (RURAL MINOR ARTERIAL) BRIDGE NO.: 93 PROJECT NO.: BRF 015-2(10)</p>	<p>DWG. NO: AS2</p>
<p>PRECAST APPROACH SLAB DETAILS "CT-AS2"</p>	

Vermont Agency of Transportation
VT Agency of Transportation

RECEIVED

ON: May 26, 2015

and Checked for

CONFORMANCE

BY: Jennifer Fitch DATE: 05/28/2015