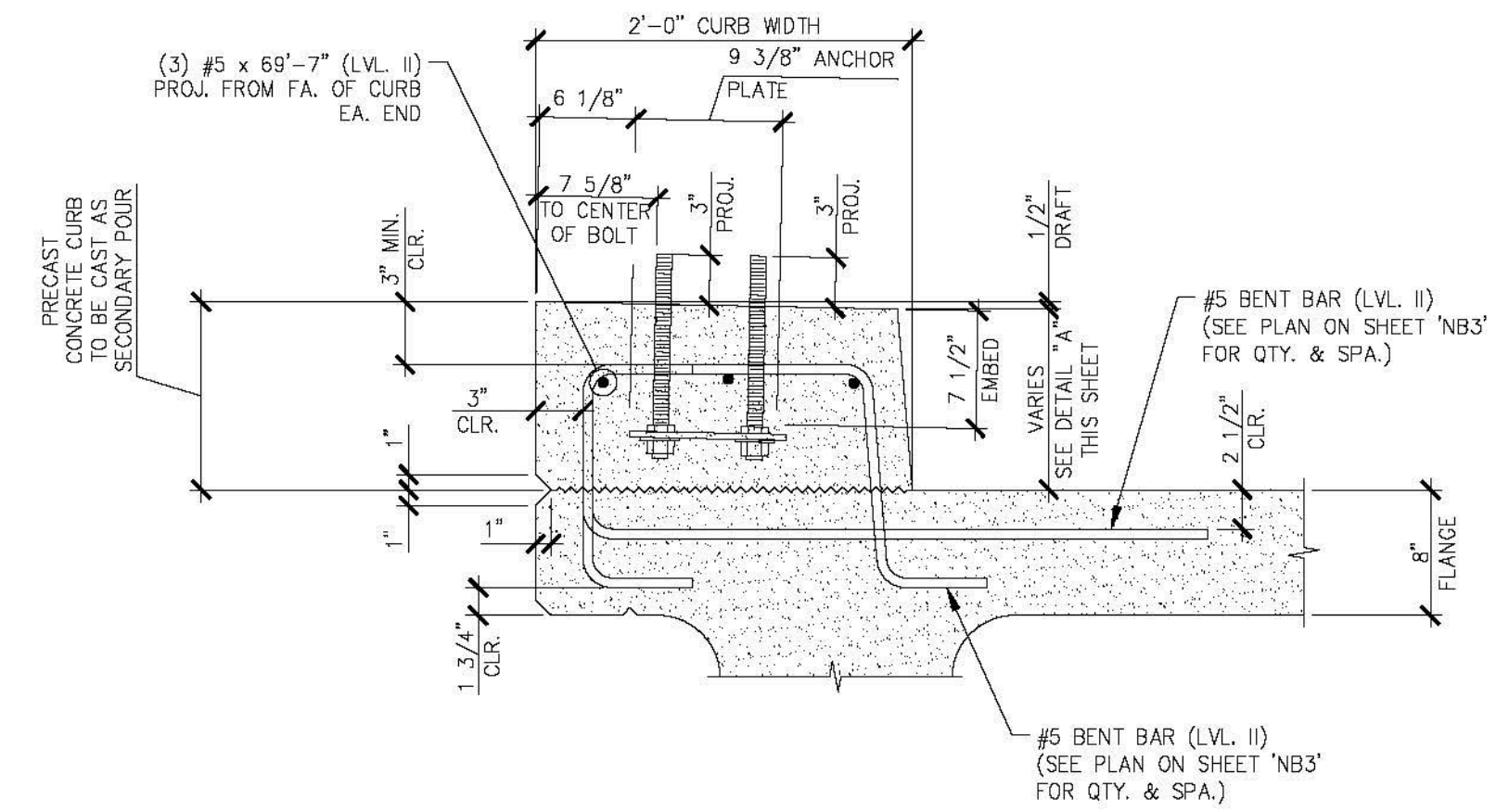
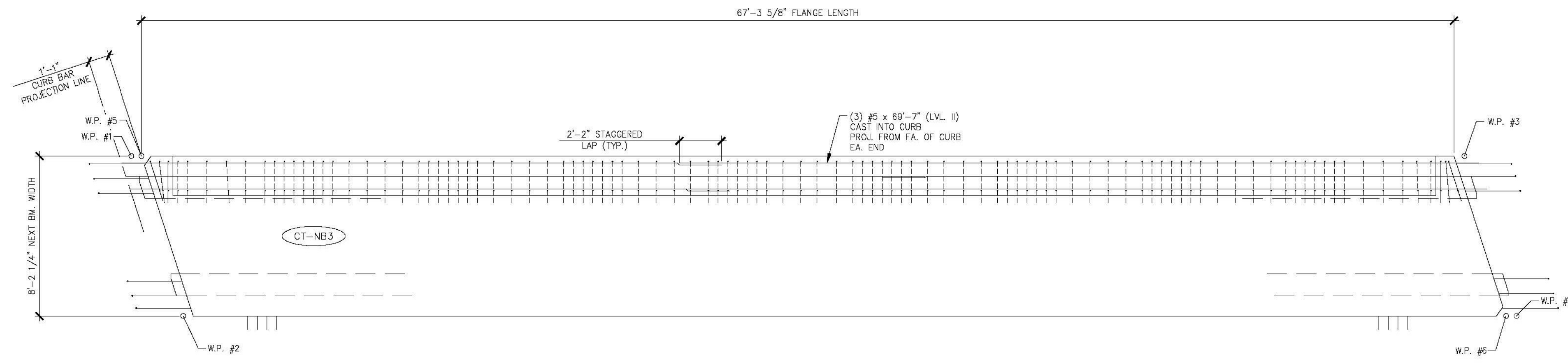


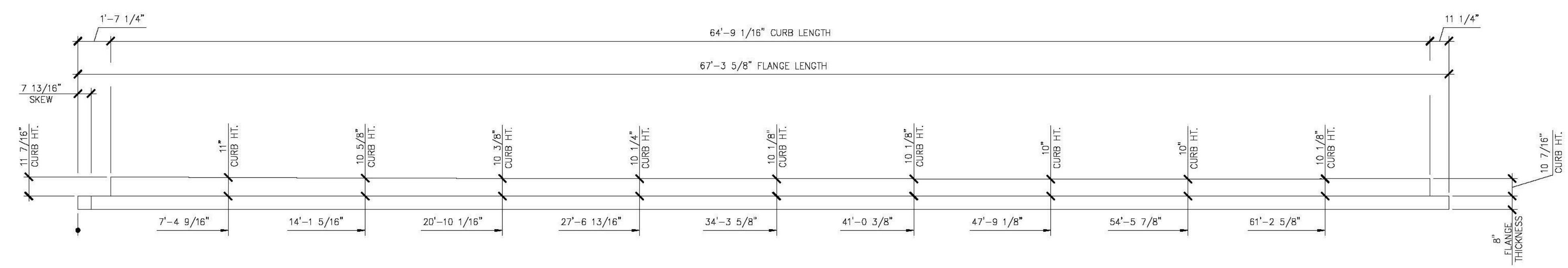
1 DIMENSIONAL PLAN VIEW FOR SECONDARY POUR
 NB4.2
 1/4" = 1'-0"



B CURB & GUARD RAIL ANCHOR
 NB4.2
 PLATE SECTION
 TYP. BEAM REINF. NOT SHOWN FOR CLARITY
 1" = 1'-0"



2 REINFORCING PLAN VIEW FOR SECONDARY POUR
 NB4.2
 1/4" = 1'-0"



A CURB HEIGHT DETAIL
 NB4.2
 1/4" = 1'-0"

Vermont Agency of Transportation
RECEIVED
 ON: **May 26, 2015**
 and Checked for
CONFORMANCE
 BY: Jennifer Fitch DATE: 05/28/2015

SHOP DRAWING REVIEW

REVIEWED AS REQUIRED BY THE CONSTRUCTION CONTRACT DOCUMENTS AND APPROVED, BUT ONLY FOR CONFORMANCE TO THE DESIGN CONCEPT OF THE WORK, AND SUBJECT TO FURTHER LIMITATIONS AND REQUIREMENTS CONTAINED IN THE CONSTRUCTION CONTRACT DOCUMENTS.

SUSPECT REVISE AND RESUBMIT FURNISH AS CORRECTED

CONTRACTOR OR COMMENTS MADE ON THE SHOP DRAWINGS DURING THIS REVIEW DO NOT RELIEVE CONTRACTOR FROM COMPLIANCE WITH REQUIREMENTS OF THE DRAWINGS AND SPECIFICATIONS. THIS CHECK IS ONLY FOR REVIEW OF GENERAL CONFORMANCE WITH THE DESIGN CONCEPT OF THE PRODUCT AND GENERAL COMPLIANCE WITH THE INFORMATION GIVEN IN THE CONTRACT DOCUMENTS. THE CONTRACTOR IS RESPONSIBLE FOR CONFIRMING AND CORRELATING ALL QUANTITIES AND DIMENSIONS, SELECTING FABRICATION PROCESSES AND TECHNIQUES OF CONSTRUCTION, COORDINATING HIS WORK WITH THAT OF ALL OTHER TRADES, AND PERFORMING HIS WORK IN A SAFE AND SATISFACTORY MANNER.

40 IDX Drive
 Building 100, Suite 200
 South Burlington, VT 05403
 802.497.6100

Job Number: 57632.00
 Reviewed By: E.F. LAVES
 Date: May 27, 2015

J.P. CARRARA & SONS INC. Precast & Prestress Manufacturer 2464 CASE STR., MIDDLEBURY, VERMONT 05753 Phone:(802)388-6361 Fax:(802)388-9010		SCHULTZ CONSTRUCTION CONTRACTOR BALLSTON SPA, NY	
STATE OF VERMONT AGENCY OF TRANSPORTATION COUNTY OF RUTLAND		DATE: MAY 06, 2015	SCALE: NOTED
TOWN OF CASTLETON VT ROUTE 30 (RURAL MINOR ARTERIAL) BRIDGE NO.: 93 PROJECT NO.: BRF 015-2(10)		CHKD: R.M.	DFTM: PSS
PRESTRESSED NEXT BEAM DETAILS "CT-NB3"		JOB NO: 23456-015	DWG. NO: NB4.2