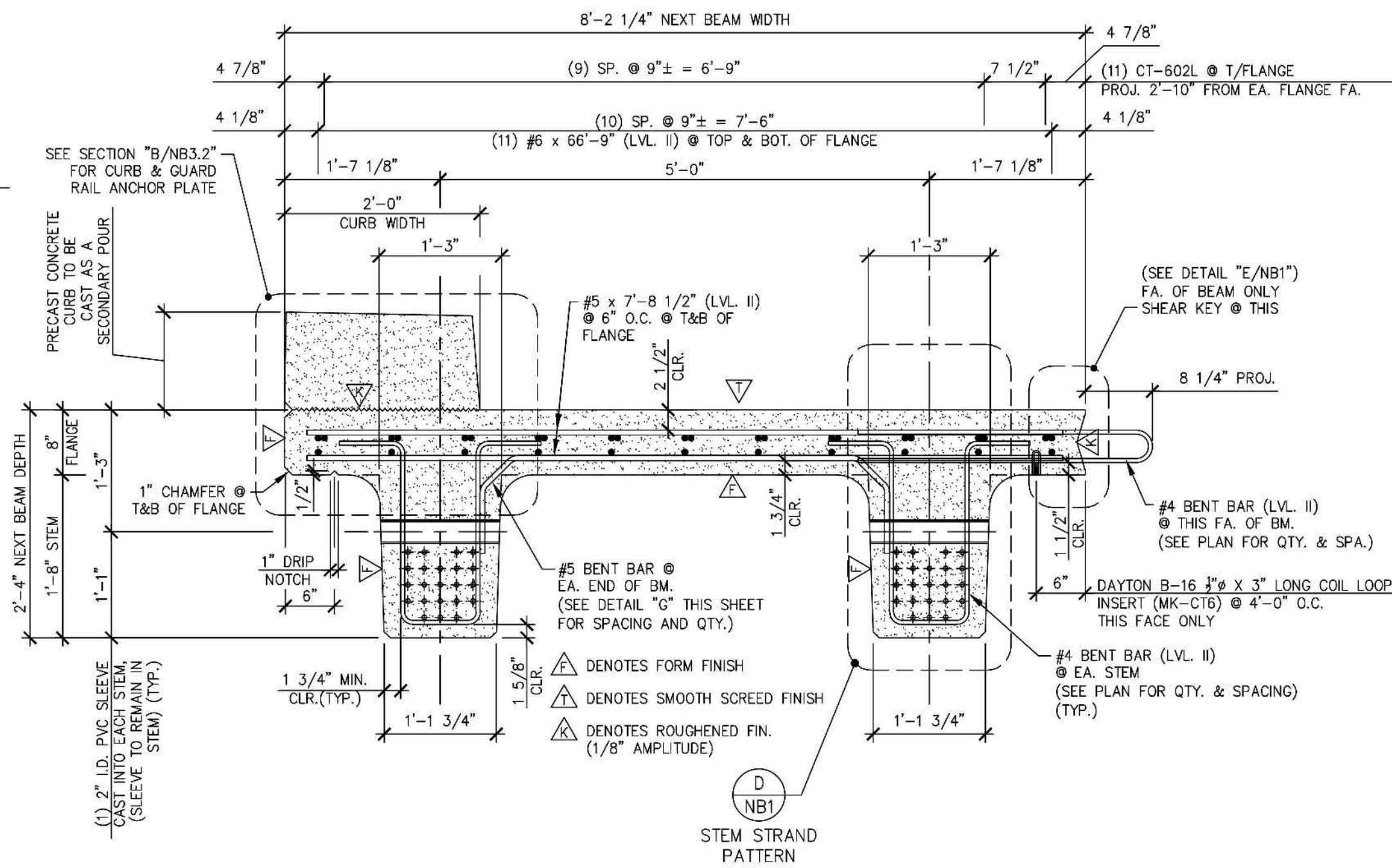
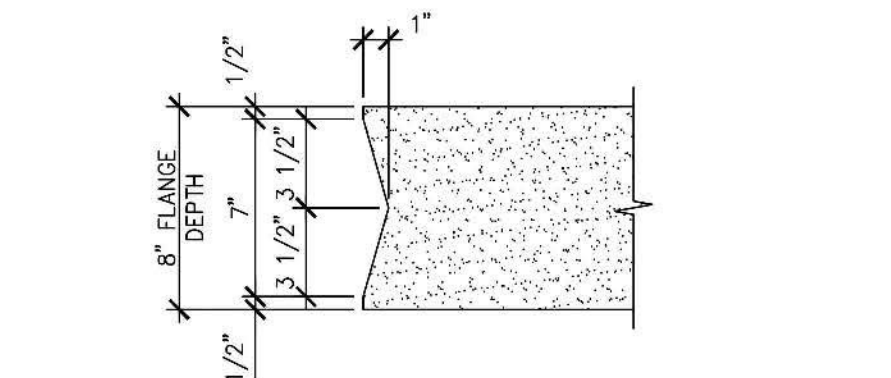


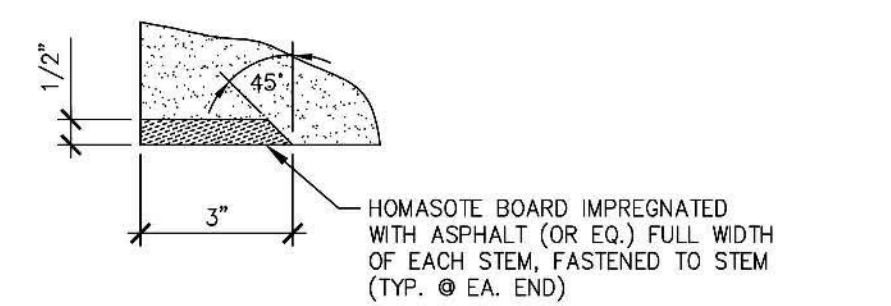
**A** DIMENSIONAL & REINFORCING SECTION  
NB1 3/4" = 1'-0"



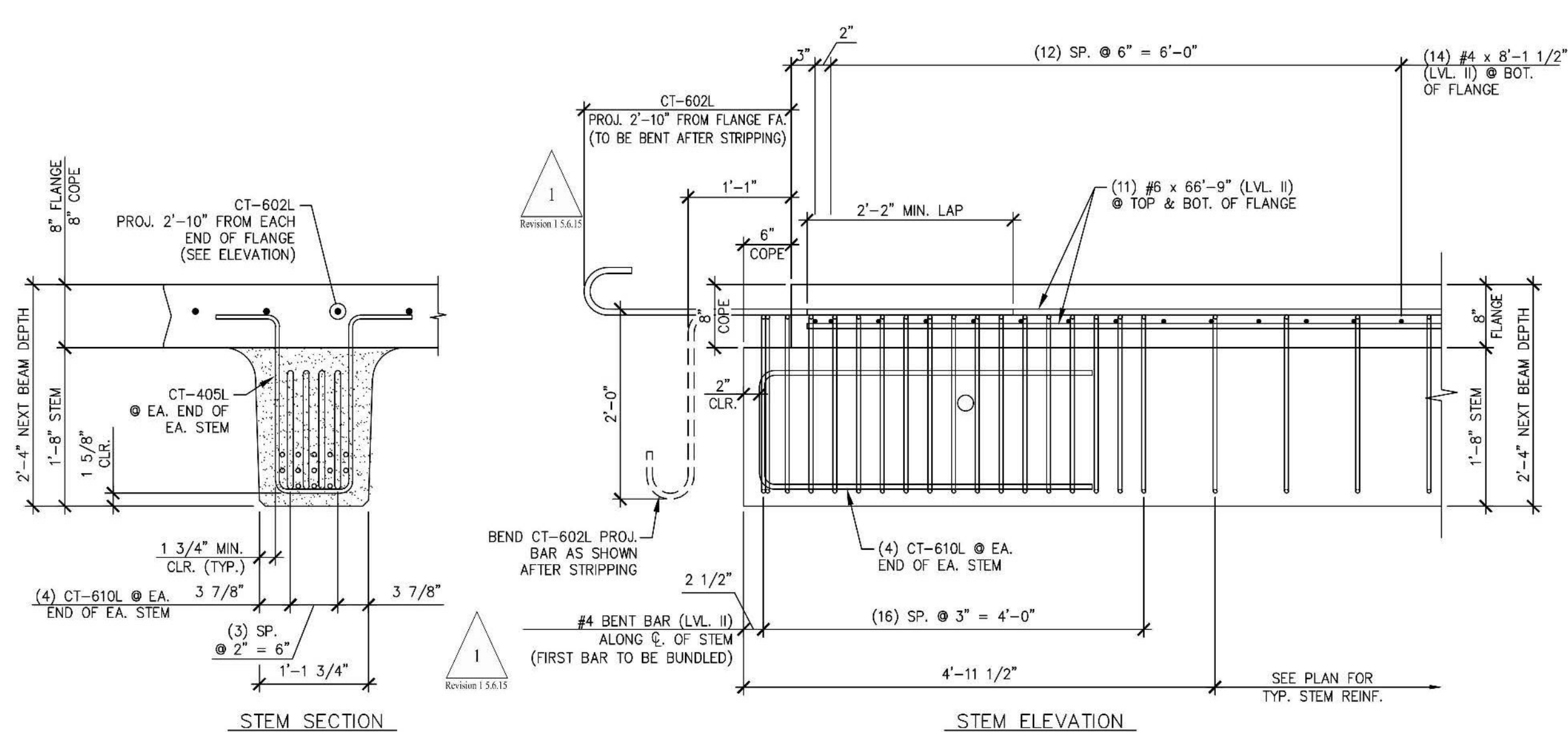
**B** DIMENSIONAL & REINFORCING SECTION  
NB1 3/4" = 1'-0"



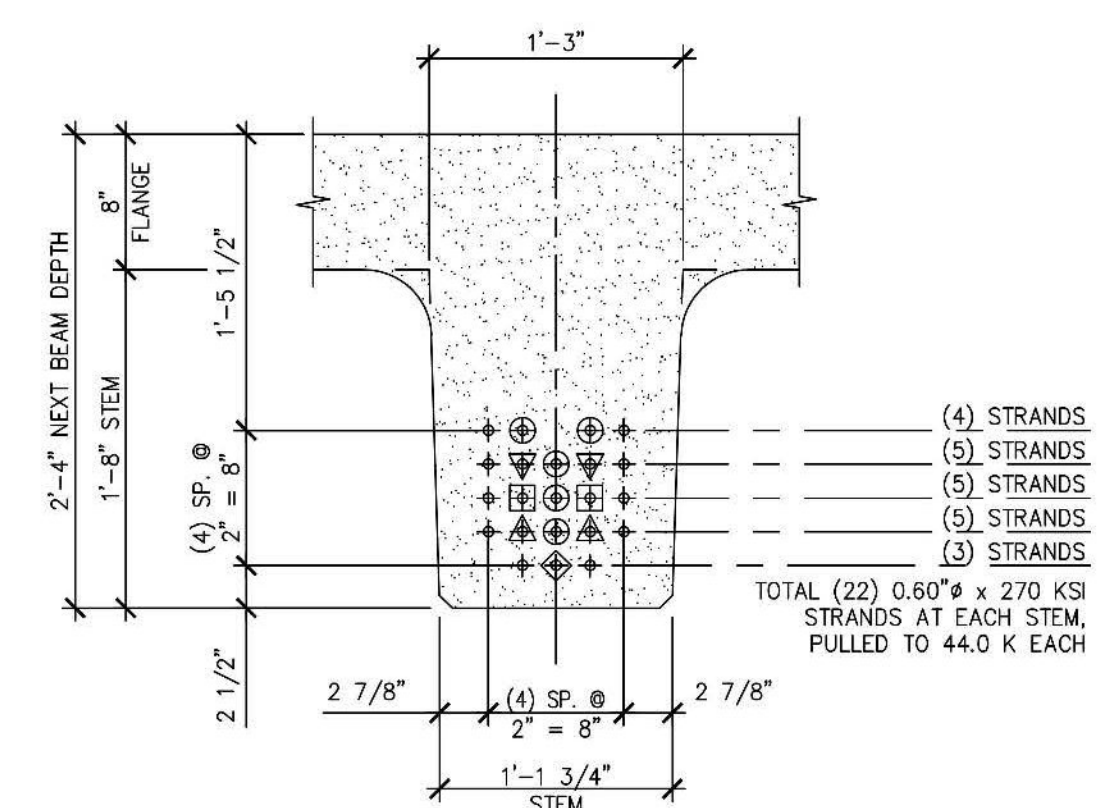
**E** SHEAR KEY DETAIL  
NB1 1 1/2" = 1'-0"



**F** HOMASOTE DETAIL  
NB1 3" = 1'-0"



**C** END BLOCK STEM REINFORCING DETAILS  
NB1 3/4" = 1'-0"



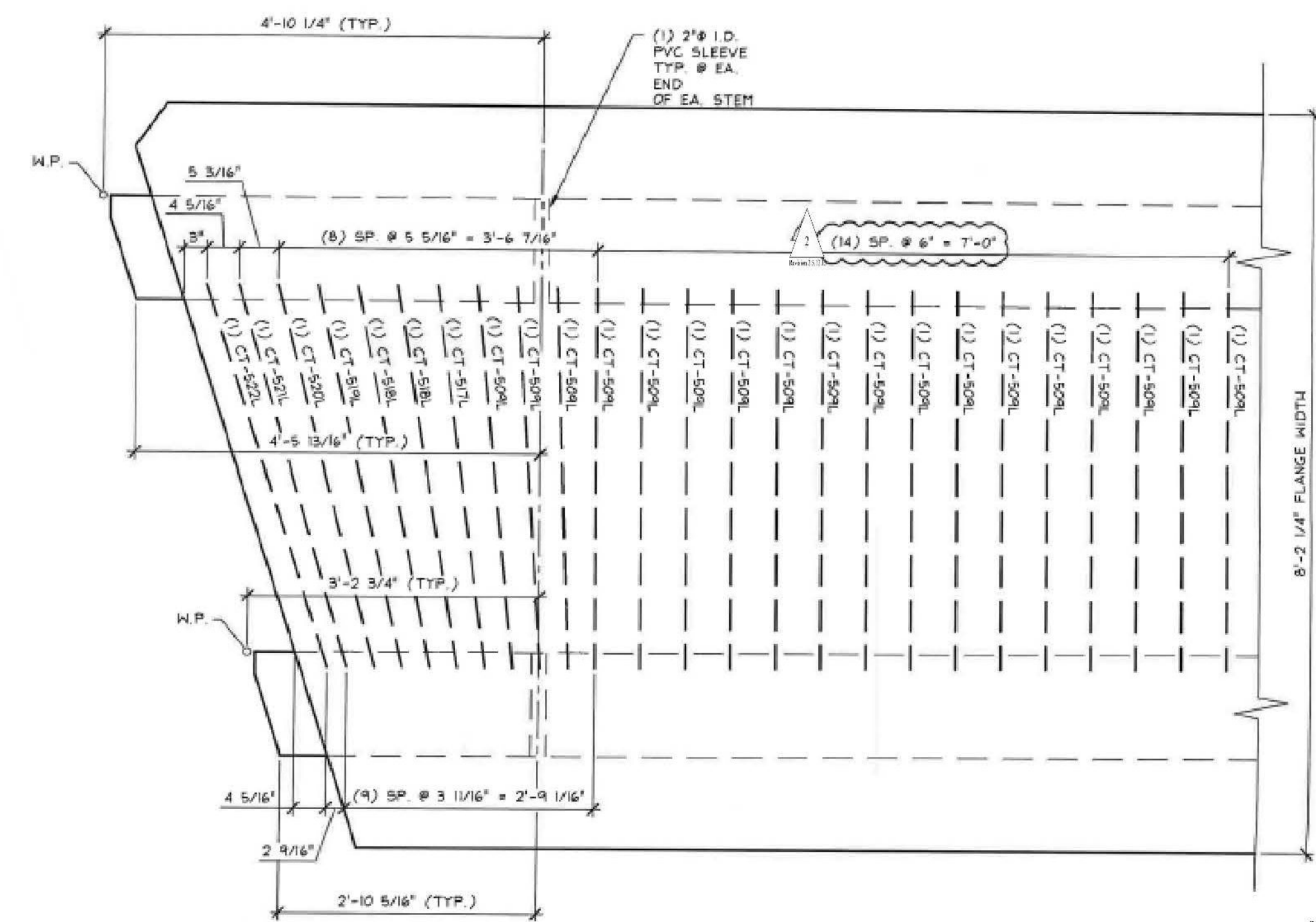
**D** STEM STRAND PATTERN  
NB1 1" = 1'-0"

- PRESTRESSING NOTATIONS**
- ◆ DENOTES STRAIGHT STRANDS TO BE CUT FLUSH WITH EA. END OF EA. STEM
  - ⊕ DENOTES STRAIGHT STRANDS TO BE BONDED 4'-0" FROM EA. END OF EA. STEM
  - ⊖ DENOTES STRAIGHT STRANDS TO BE BONDED 6'-0" FROM EA. END OF EA. STEM
  - ⊗ DENOTES STRAIGHT STRANDS TO BE BONDED 8'-0" FROM EA. END OF EA. STEM
  - ⊘ DENOTES STRAIGHT STRANDS TO BE BONDED 10'-0" FROM EA. END OF EA. STEM

**DETENSIONING SCHEDULE**

20	1	2	23	26	3	4	17		
21	10	9	8	24	27	7	6	5	18
22	11	12	13	25	28	14	15	16	19
35	34	33	32	36	37	29	30	31	38
42	43	41		40	44	39			

N.T.S.



**G** ADDITIONAL END ZONE REINFORCING (@ BOTTOM OF FLANGE) & LOCATION OF PVC SLEEVES (@ STEM)  
NB1 3/4" = 1'-0"

Vermont Agency of Transportation  
**RECEIVED**  
ON: **May 26, 2015**  
and Checked for  
**CONFORMANCE**  
BY: **Jennifer Fitch** DATE: **05/28/2015**

**SHOP DRAWING REVIEW**

REVIEWED AS REQUIRED BY THE CONSTRUCTION CONTRACT DOCUMENTS AND APPROVED, BUT ONLY FOR CONFORMANCE TO THE DESIGN CONCEPT OF THE WORK, AND SUBJECT TO FURTHER LIMITATIONS AND REQUIREMENTS CONTAINED IN THE CONSTRUCTION CONTRACT DOCUMENTS.

REJECTED  REVISE AND RESUBMIT  FURNISH AS CORRECTED

CORRECTIONS OR COMMENTS MADE ON THE SHOP DRAWINGS DURING THIS REVIEW DO NOT RELIEVE CONTRACTOR FROM COMPLIANCE WITH REQUIREMENTS OF THE SPECIFICATIONS AND DRAWINGS. THIS CHECK IS ONLY FOR REVIEW OF GENERAL CONFORMANCE WITH THE DESIGN CONCEPT OF THE PROJECT AND GENERAL COMPLIANCE WITH THE INFORMATION GIVEN IN THE CONTRACT DOCUMENTS. THE CONTRACTOR IS RESPONSIBLE FOR CONFIRMING AND CORRELATING ALL QUANTITIES AND DIMENSIONS, SELECTING FABRICATION PROCESSES AND TECHNIQUES OF CONSTRUCTION, CONSIDERING HIS WORK WITH THAT OF ALL OTHER TRADES, AND PERFORMING HIS WORK IN A SAFE AND SATISFACTORY MANNER.

40 DIX Drive  
Building 100, Suite 200  
South Burlington, VT 05403  
802-497-6100

Job Number: 57632.00  
Reviewed By: E.F. LAMES  
Date: May 27, 2015

**J.P. CARRARA & SONS INC.**  
Precast & Prestress Manufacturer  
2464 GISE STR., MIDDLEBURY, VERMONT 05753 Phone: (802)388-6361 Fax: (802)388-9010

**SCHULTZ CONSTRUCTION**  
CONTRACTOR  
BALLSTON SPA, NY

STATE OF VERMONT AGENCY OF TRANSPORTATION  
COUNTY OF RUTLAND

TOWN OF CASTLETON  
VT ROUTE 30 (RURAL MINOR ARTERIAL)  
BRIDGE NO.: 93 PROJECT NO.: BRF 015-2(10)

DATE: MAY 06, 2015  
SCALE: NOTED  
CHKD: R.M. DFTM: PSS  
JOB NO: 23456-015  
DWG. NO: NB1

PRESTRESSED NEXT BEAM DETAILS