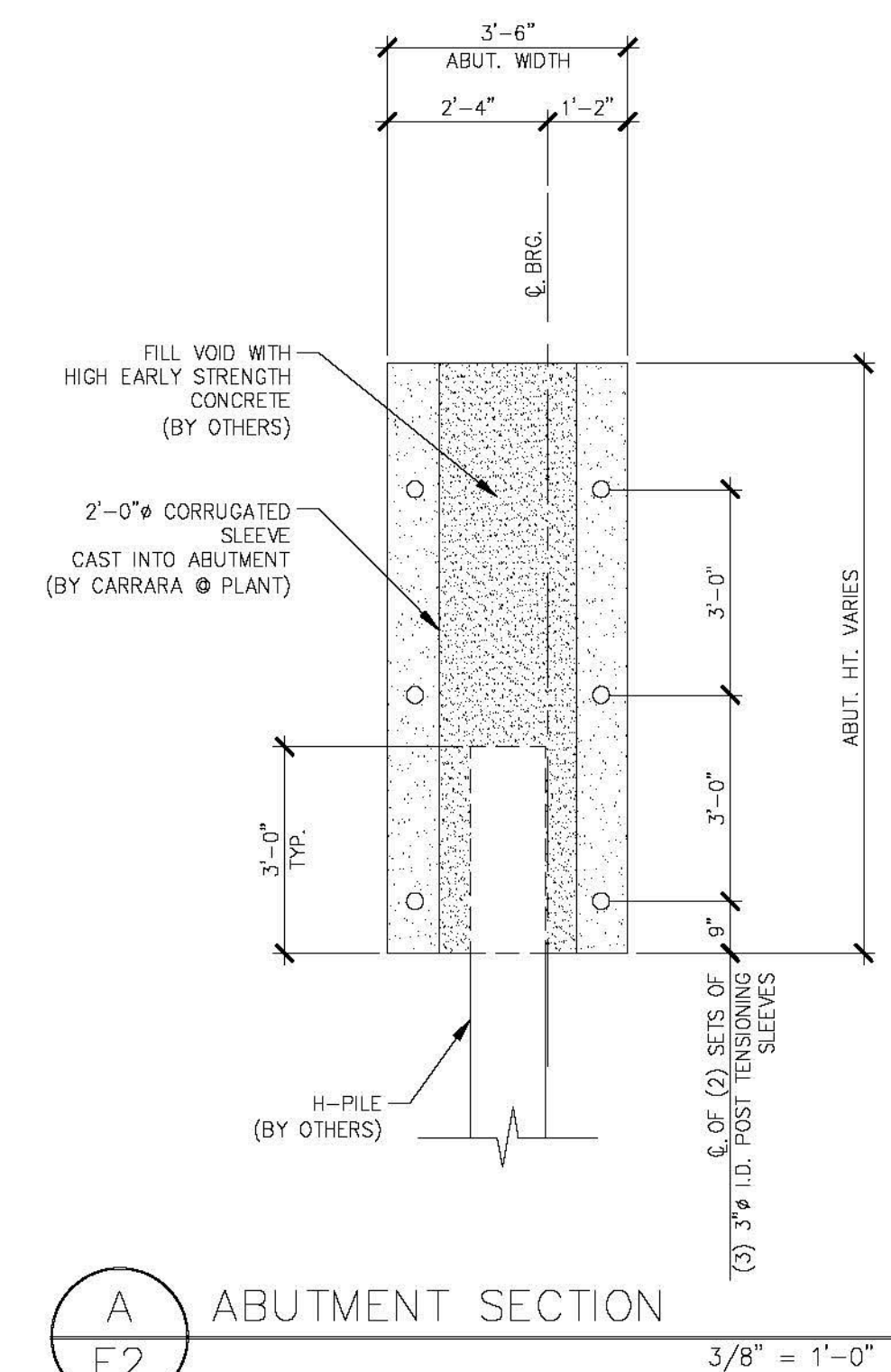
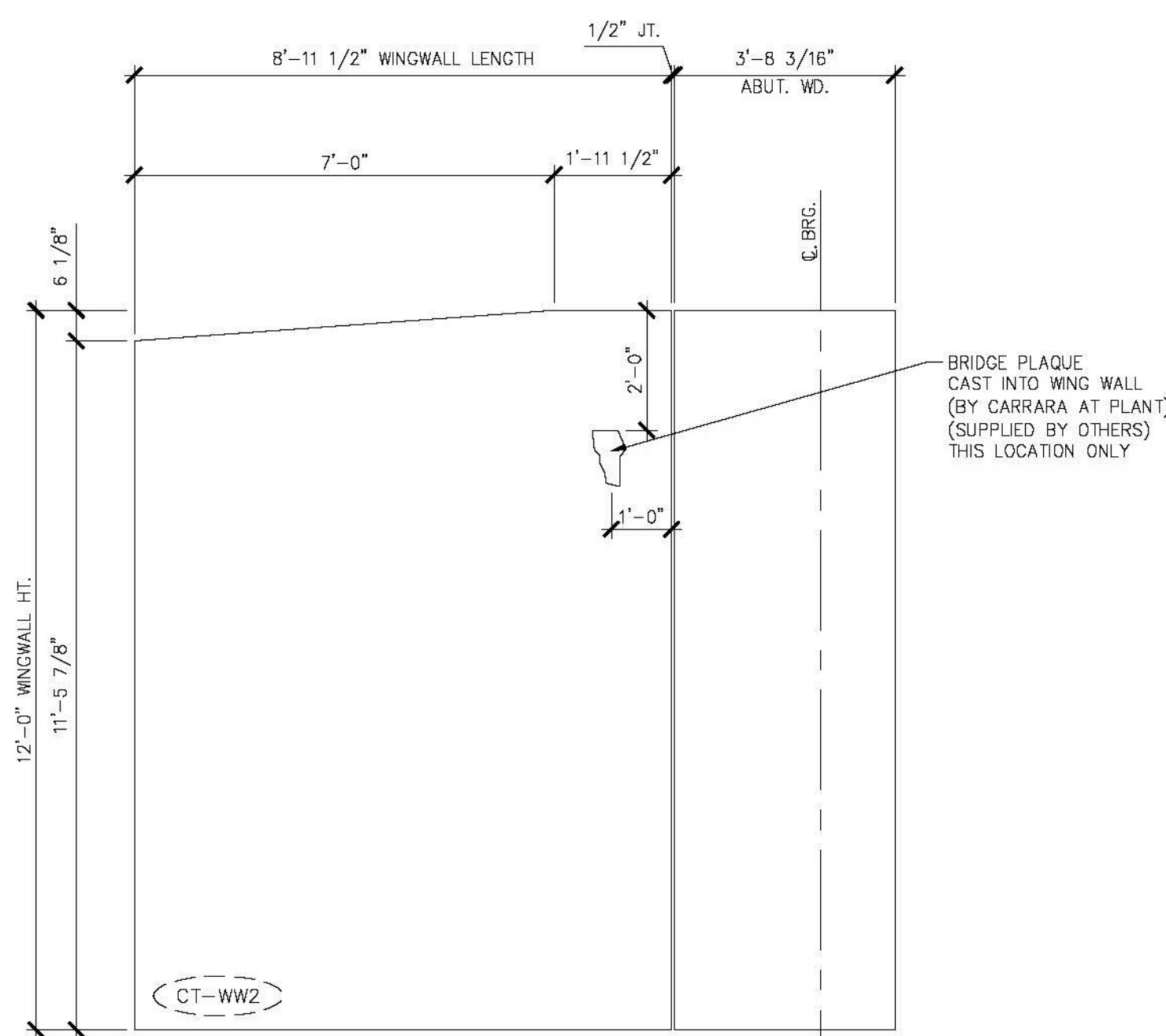


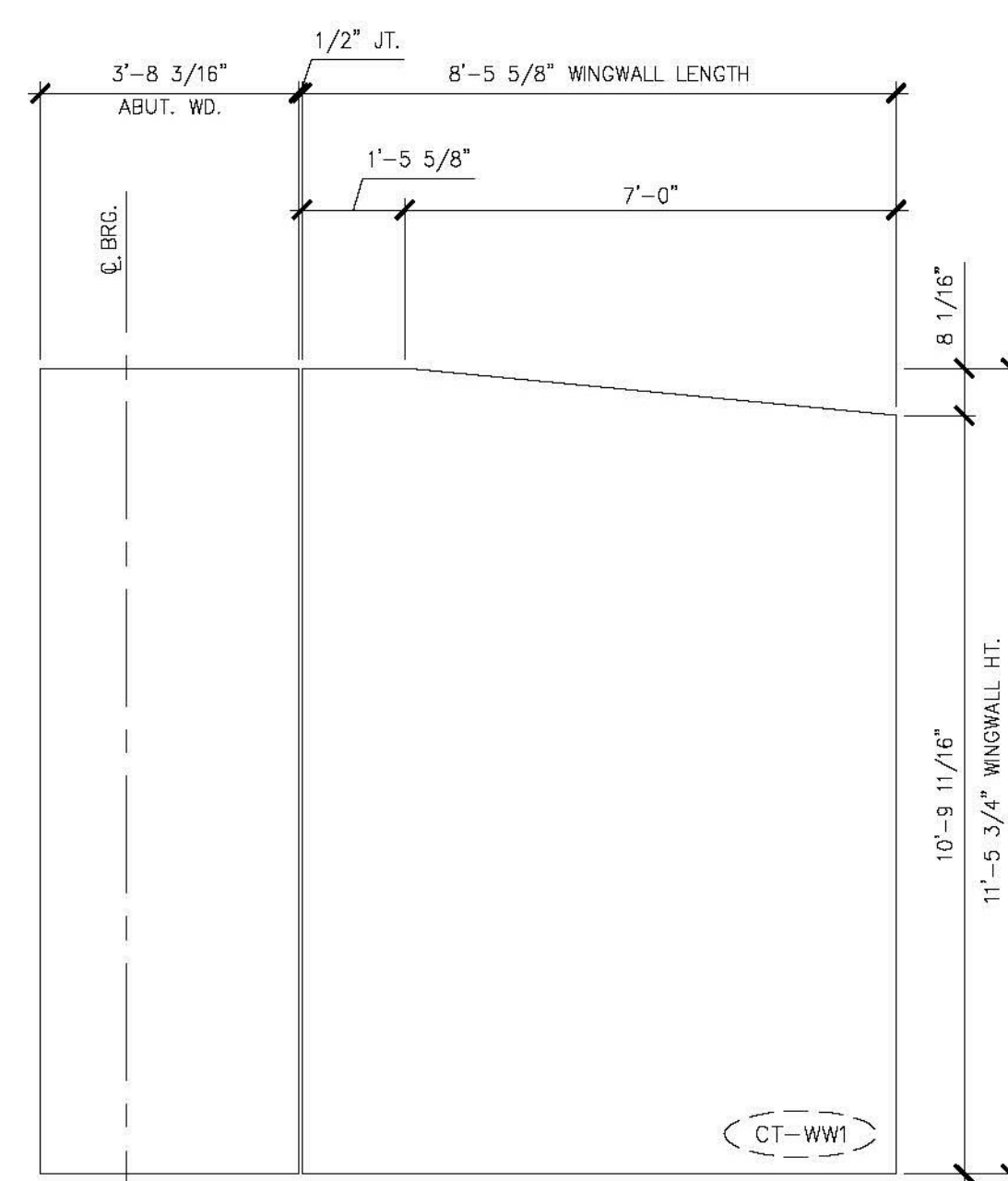
1 ABUTMENT #1 ELEVATION
3/8" = 1'-0"



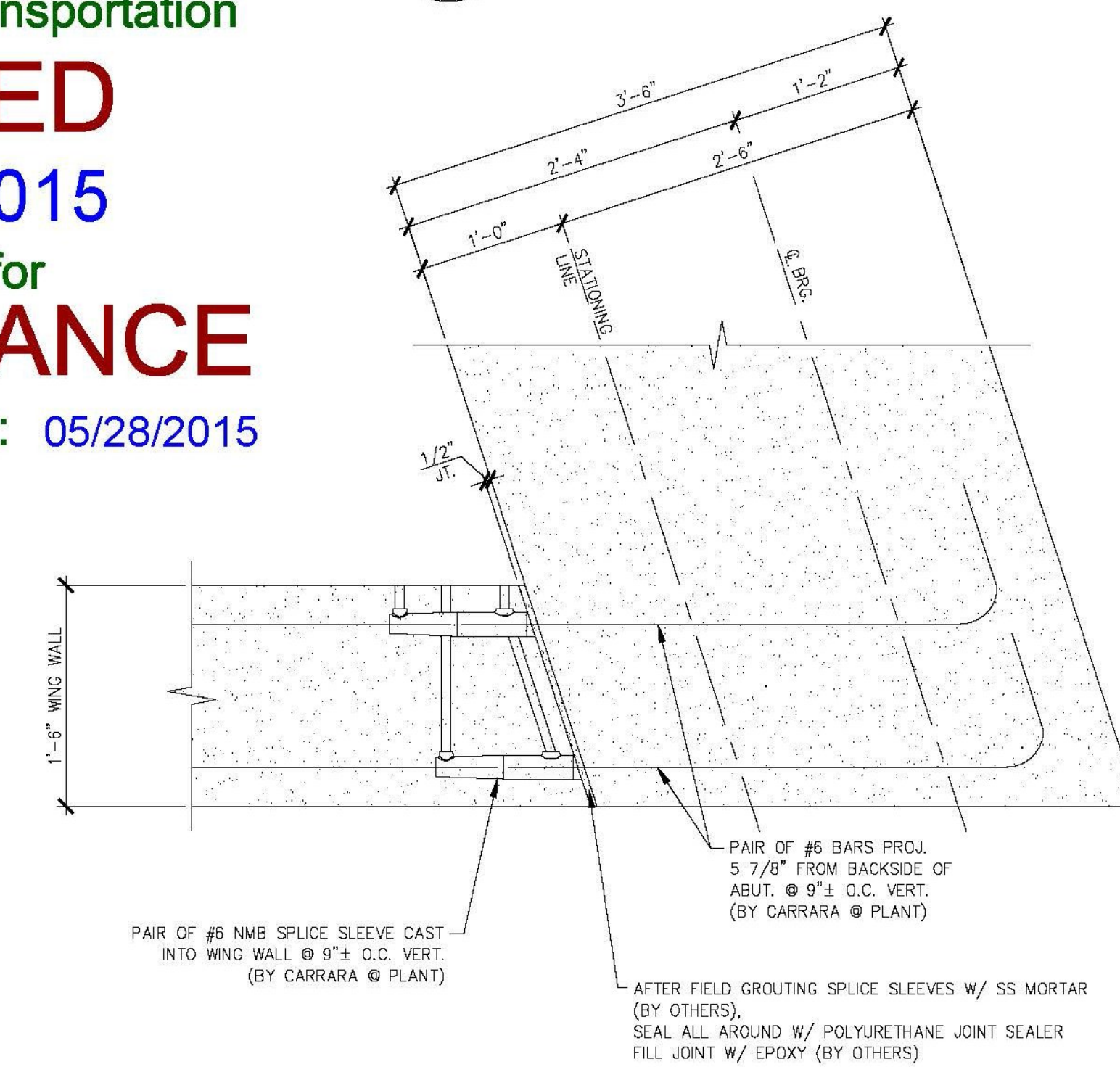
A ABUTMENT SECTION
3/8" = 1'-0"



2 WINGWALL #2 ELEVATION
3/8" = 1'-0"



3 WINGWALL #1 ELEVATION
3/8" = 1'-0"



B WING WALL CONNECTION DETAIL
1" = 1'-0"

Vermont Agency of Transportation
RECEIVED
ON: **May 26, 2015**
and Checked for
CONFORMANCE
BY: Jennifer Fitch DATE: 05/28/2015

SHOP DRAWING REVIEW

REVIEWED AS REQUIRED BY THE CONSTRUCTION CONTRACT DOCUMENTS AND APPROVED, BUT ONLY FOR CONFORMANCE TO THE DESIGN CONCEPT OF THE WORK, AND SUBJECT TO FURTHER LIMITATIONS AND REQUIREMENTS CONTAINED IN THE CONSTRUCTION CONTRACT DOCUMENTS.

REJECTED REVISE AND RESUBMIT FURNISH AS CORRECTED

CORRECTIONS OR COMMENTS MADE ON THE SHOP DRAWINGS DURING THIS REVIEW DO NOT RELIEVE CONTRACTOR FROM COMPLIANCE WITH REQUIREMENTS OF THE DRAWINGS AND SPECIFICATIONS. THIS CHECK IS ONLY FOR REVIEW OF GENERAL CONFORMANCE WITH THE DESIGN CONCEPT OF THE PROJECT AND GENERAL COMPLIANCE WITH THE INFORMATION GIVEN IN THE CONTRACT DOCUMENTS. THE CONTRACTOR IS RESPONSIBLE FOR CONFIRMING AND CORRELATING ALL QUANTITIES AND DIMENSIONS, SELECTING FABRICATION PROCESSES AND TECHNIQUES OF CONSTRUCTION, COORDINATING HIS WORK WITH THAT OF ALL OTHER TRADES AND PERFORMING HIS WORK IN A SAFE AND SATISFACTORY MANNER.

40 IDX Drive
Building 100, Suite 200
South Burlington, VT 05403
802-487-5100

Job Number: 57632.00
Reviewed By: E.E. LAMIES
Date: May 27, 2015

J.P. CARRARA & SONS INC. Precast & Prestress Manufacturer 2464 GISE STR., MIDDLEBURY, VERMONT 05753 Phone:(802)388-6361 Fax:(802)388-9010		SCHULTZ CONSTRUCTION CONTRACTOR BALLSTON SPA, NY	
STATE OF VERMONT AGENCY OF TRANSPORTATION COUNTY OF RUTLAND		DATE: MAY 06, 2015	
TOWN OF CASTLETON VT ROUTE 30 (RURAL MINOR ARTERIAL) BRIDGE NO.: 93 PROJECT NO.: BRF 015-2(10)		SCALE: NOTED	CHKD: R.M. DFTM: PSS
ABUTMENT #1 ELEVATIONS		JOB NO: 23456-015	DWG. NO: F2