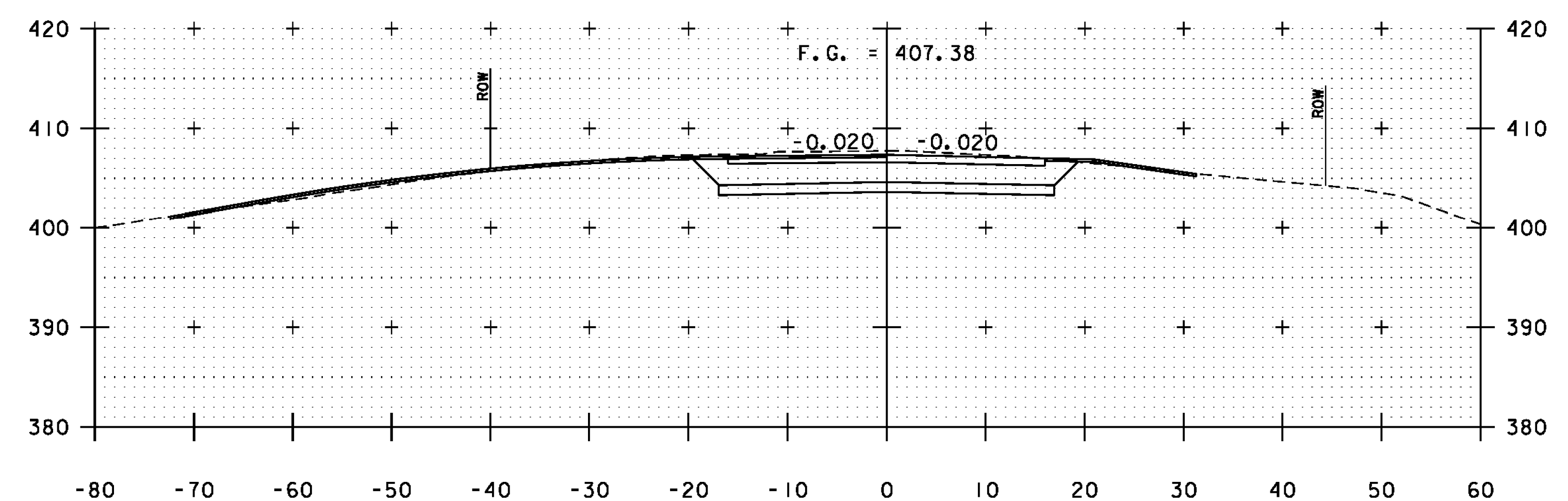
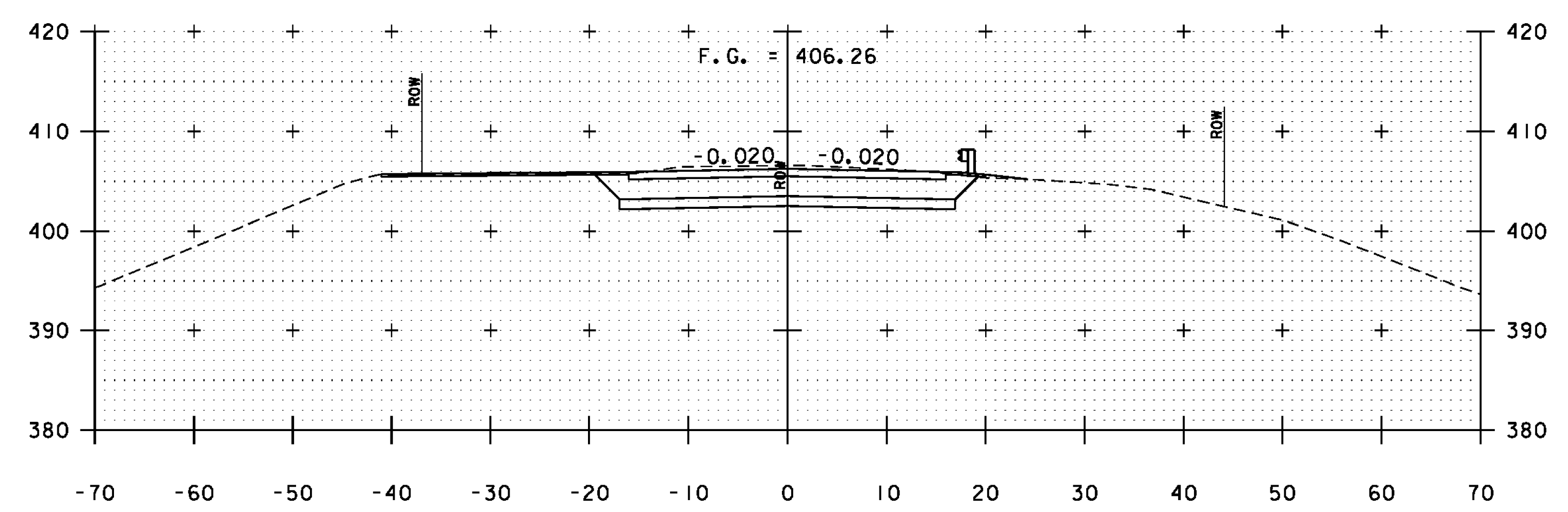


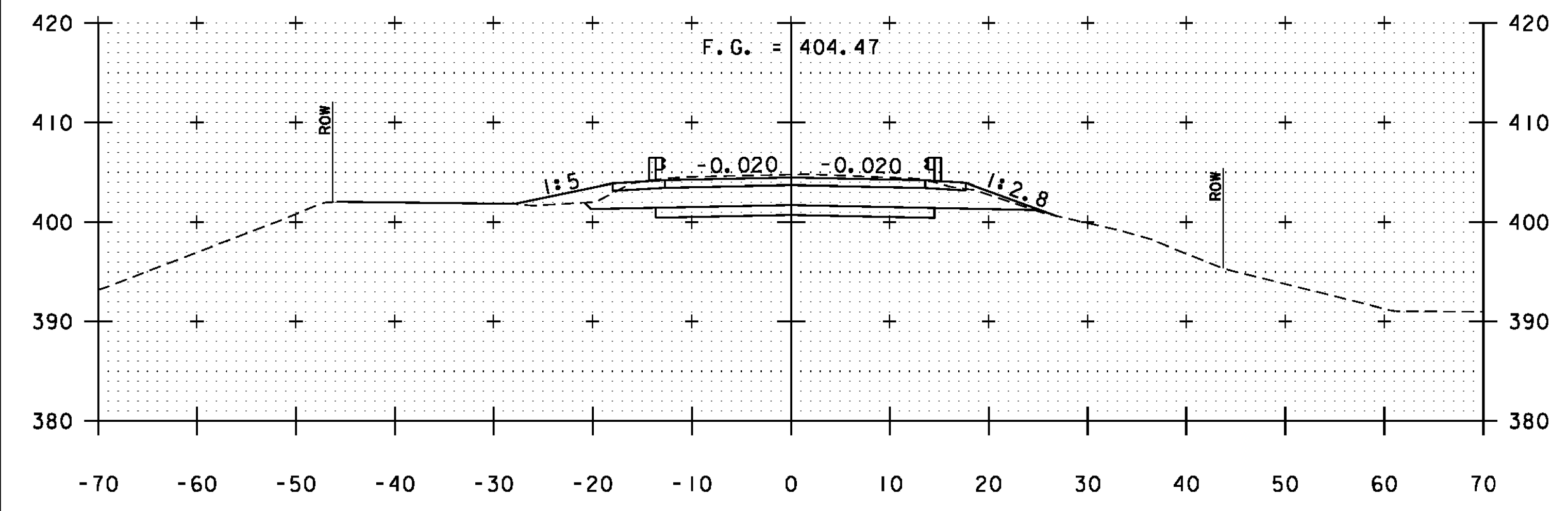
65+50



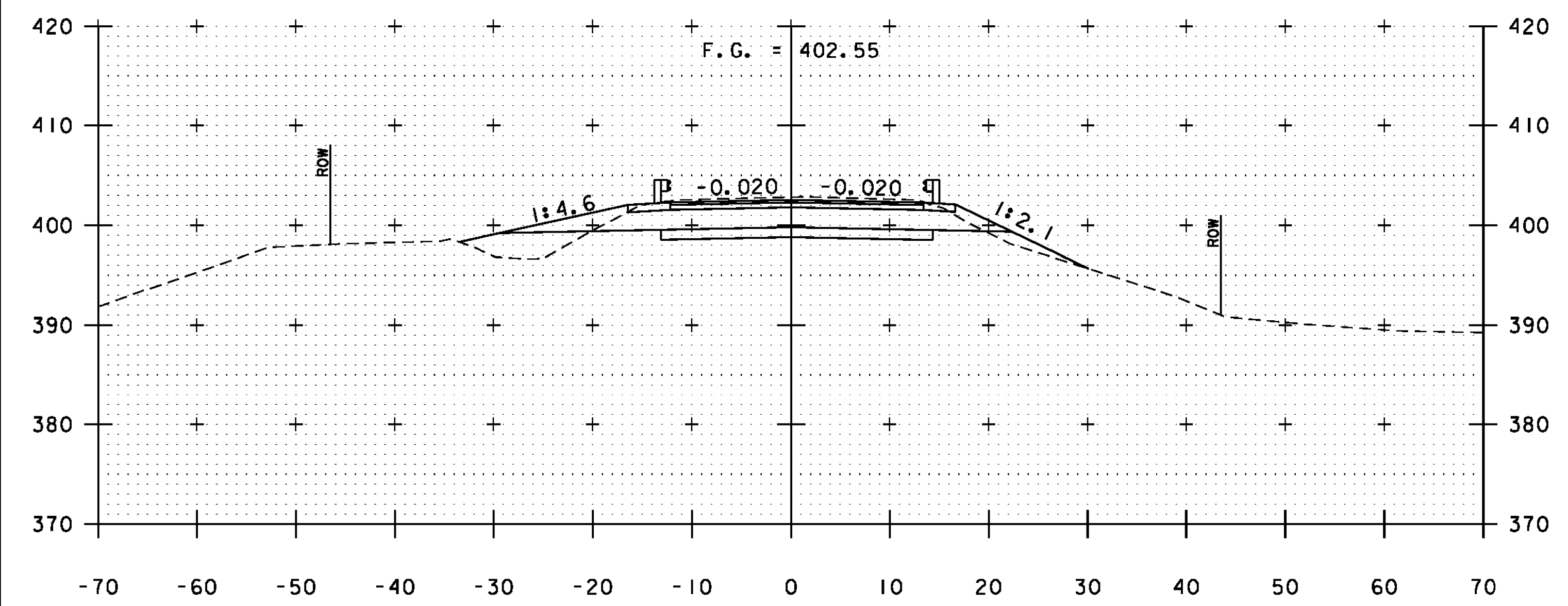
Drive, 65+41 LT



65+25



65+00 SEE AS-BUILT SHEET 58A



STA. 64+51, LT  
END GEOTEXTILE UNDER STONE FILL  
STONE FILL, TYPE I  
GRUBBING MATERIAL

64+75 SEE AS-BUILT SHEET 58B  
BEGIN PROJECT  
STA. 64+70.00

ROADWAY CROSS SECTIONS  
SCALE 1" = 10'-0"  
STA. 64+75 - 65+50



PROJECT NAME: CASTLETON	PLOT DATE: 9/19/2014
PROJECT NUMBER: BRF 015-2(10)	DRAWN BY: M.C. SCOTT
FILE NAME: z12b138xs.dgn	CHECKED BY: E.A. FIALA
PROJECT LEADER: S.E. BURBANK	SHEET 58 OF 82
DESIGNED BY: E.A. FIALA	ROADWAY CROSS SECTIONS (2 OF 6)