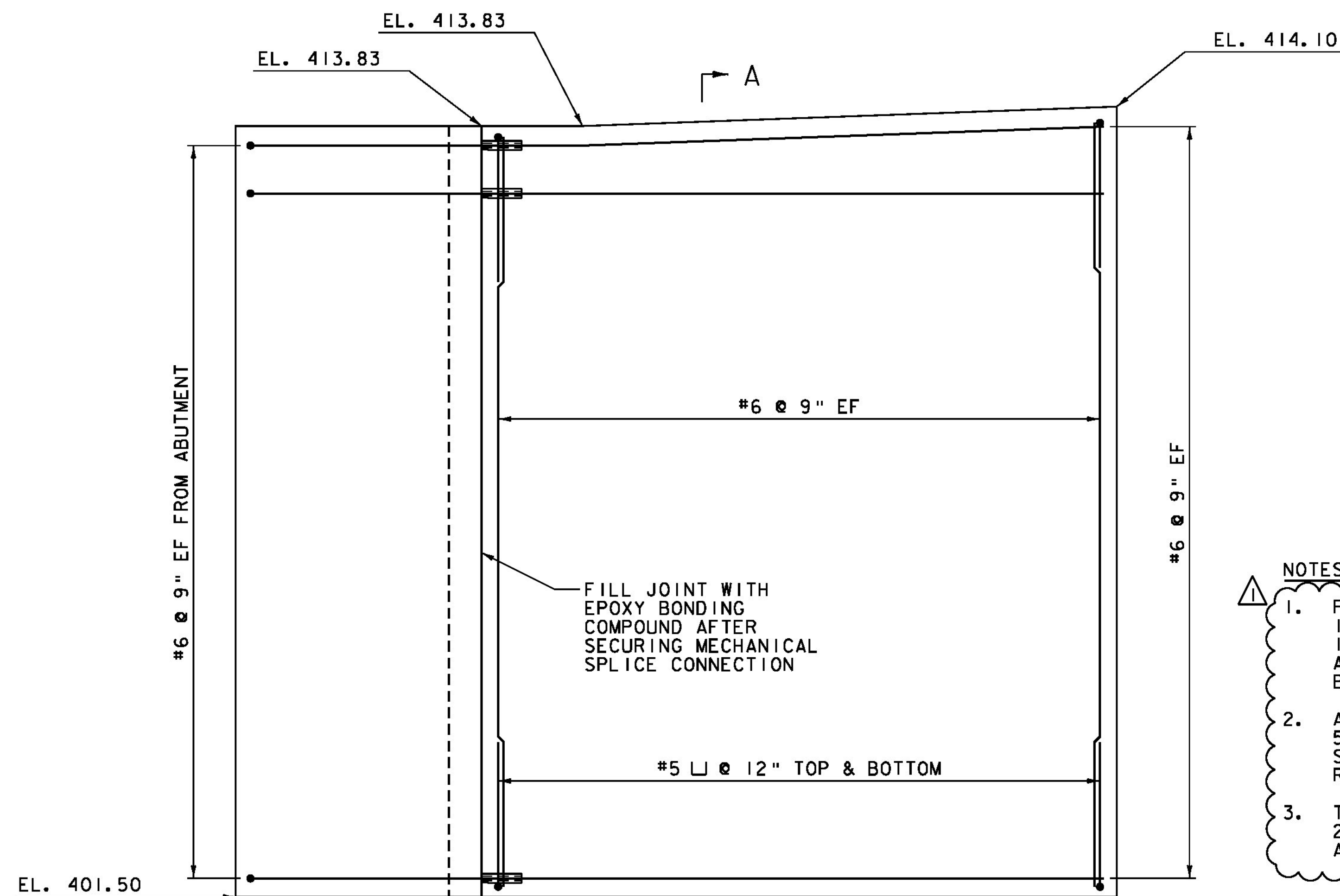


WINGWALL NO. 4 PLAN
SCALE 3/4" = 1'-0"

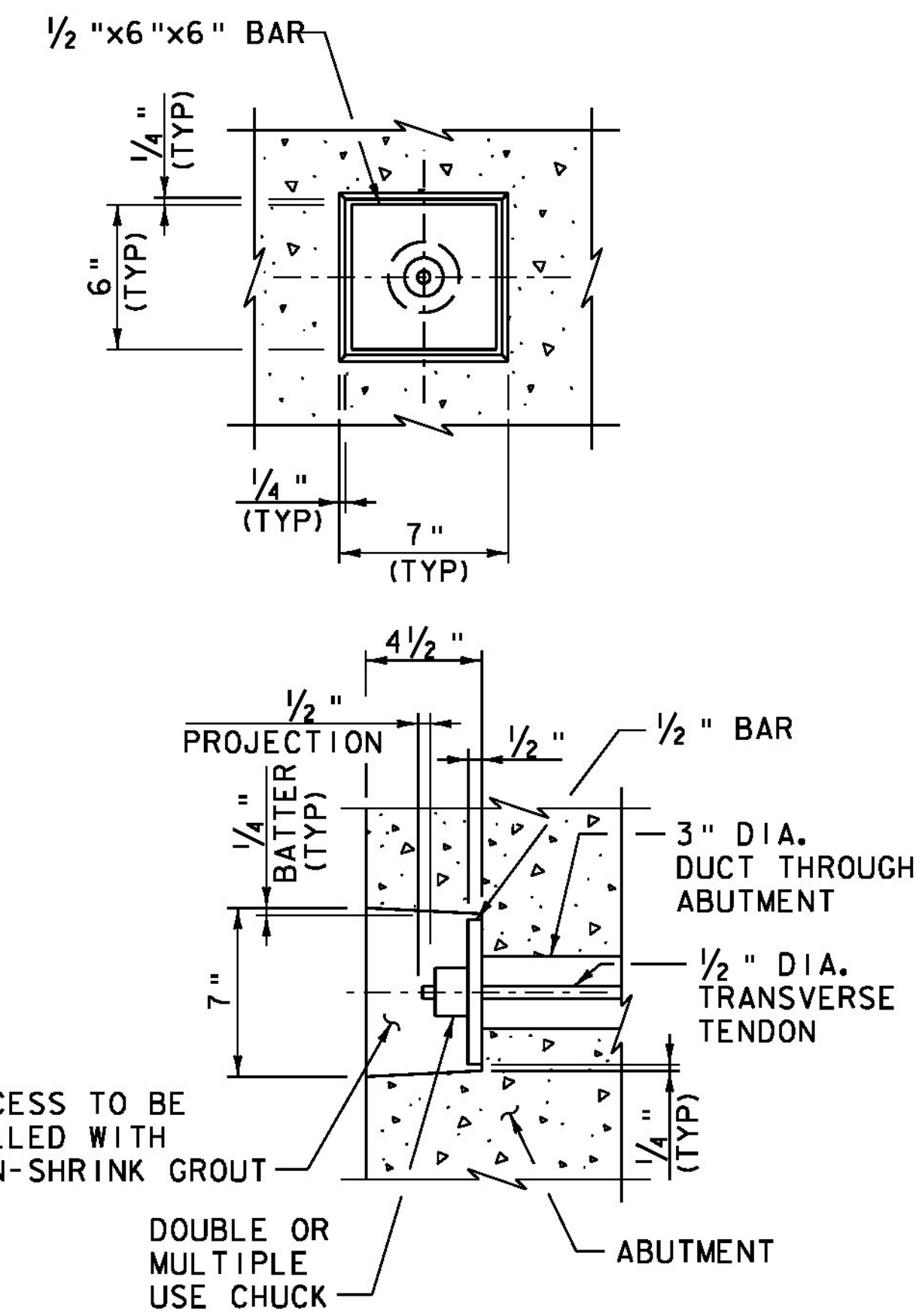


WINGWALL NO. 4 ELEVATION
SCALE 3/4" = 1'-0"

NOTE: SEE SECTION A-A ON PREVIOUS SHEET.

NOTE:

- NF = NEAR FACE
- FF = FAR FACE
- EF = EACH FACE
- ▲ = CUT TO FIT IN FIELD
- 3" CLEAR, UNLESS OTHERWISE SPECIFIED ON THE PLANS.
- 2'-2" BAR LAP UNLESS OTHERWISE SPECIFIED ON THE PLANS.



TRANSVERSE TENDON DETAIL
NOT TO SCALE

TRANSVERSE TENDON NOTES:

1. MORTAR FOR EXTERIOR POCKETS SHALL BE THE SAME COLOR AND TEXTURE AS THE ABUTMENT CONCRETE.
2. OTHER ANCHORAGE SYSTEMS MAY BE SUBSTITUTED WITH THE APPROVAL OF THE ENGINEER. ALTERNATE ANCHORAGE SYSTEMS SHALL BE WATER TIGHT AND CORROSION PROOF.
3. TRANSVERSE TENDONS SHALL BE COVERED BY A SEAMLESS POLYPROPYLENE SHEATH (WITH CORROSION INHIBITING GREASE BETWEEN THE STRAND/ANCHOR AND THE SHEATH) FOR THE FULL LENGTH OF THE TENDON/ANCHOR, EXCEPT AT THE ANCHORAGE LOCATION.

NOTES:

1. PAYMENT FOR ALL REINFORCING STEEL AND MECHANICAL CONNECTORS WILL BE INCLUDED IN THE UNIT PRICE BID FOR THE APPROPRIATE PRECAST CONTRACT ITEM. THE CONTRACTOR SHALL PROVIDE THREE (3) MECHANICAL CONNECTORS ASSEMBLED PER SPLICE SIZE FOR TESTING. THE ASSEMBLY SHALL BE WITNESSED BY THE ENGINEER.
2. ALL REINFORCING STEEL IN WINGWALLS SHALL MEET REQUIREMENTS OF SECTION 507 FOR LEVEL II REINFORCING. ALL MECHANICAL CONNECTORS IN WINGWALLS SHALL MEET THE REQUIREMENTS OF SECTION 507 FOR LEVEL I (EPOXY COATED) REINFORCING.
3. THE BRIDGE PLAQUE FURNISHED BY THE AGENCY SHALL BE CAST INTO WINGWALL 2. ALL WORK TO INSTALL THE PLAQUE SHALL BE INCIDENTAL TO THE APPROPRIATE PRECAST CONTRACT ITEM. SEE SD-502.00 FOR FURTHER DETAILS.

REV.	DESCRIPTION	DATE
△	CONTRACTOR-FABRICATED PRECAST	12/01/2014
PROJECT NAME: CASTLETON		
PROJECT NUMBER: BRF 015-2(10)		
FILE NAME: z12b138sub.dgn		PLOT DATE: 12/1/2014
PROJECT LEADER: S.E. BURBANK		DRAWN BY: E.A. FIALA
DESIGNED BY: E.A. FIALA		CHECKED BY: S.E. BURBANK
WINGWALL DETAILS (2 OF 2)		SHEET 53 OF 82