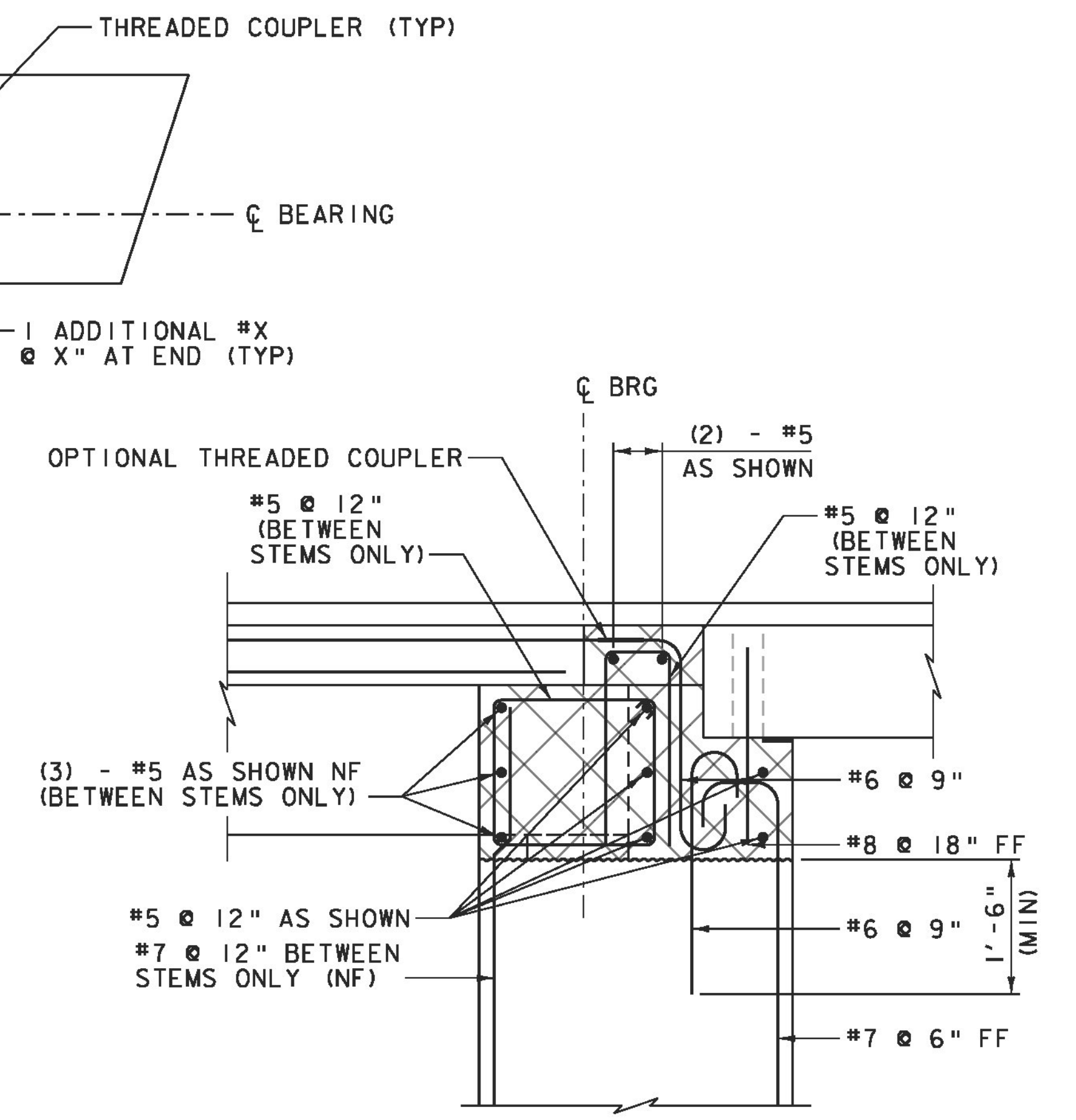


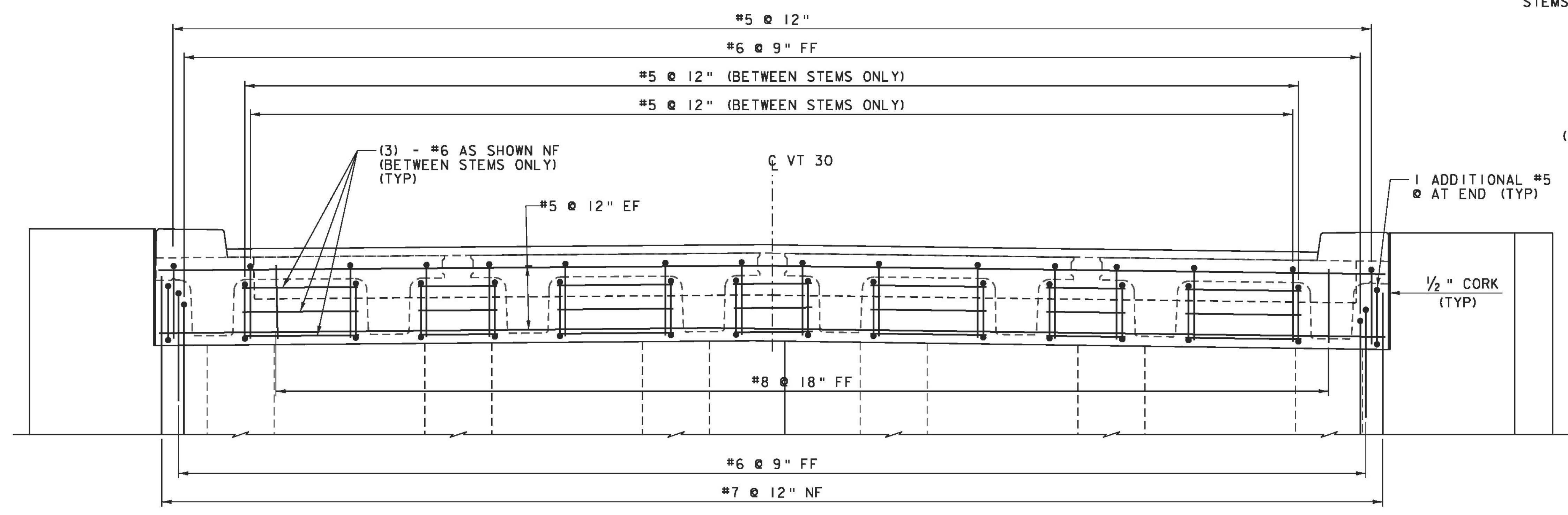
ABUTMENT NO. 1
 DECK CLOSURE POUR REINFORCING PLAN
 (TRANSVERSE POST-TENSIONING DUCTS & GROUT DUCTS NOT SHOWN FOR CLARIFY)
 (ABUTMENT NO. 2 SIMILAR)
 SCALE 1/2" = 1'-0"



BRIDGE END DETAIL
 (ABUT. NO. 1 SHOWN, ABUT. NO. 2 SIMILAR, OPPOSITE HAND)
 (DIMENSIONS ARE NORMAL TO CL BRG)
 SCALE 3/4" = 1'-0"



NOTE:
 NF = NEAR FACE
 FF = FAR FACE
 EF = EACH FACE
 ▲ = CUT TO FIT IN FIELD
 3" CLEAR, UNLESS OTHERWISE SPECIFIED ON THE PLANS.
 2'-2" BAR LAP UNLESS OTHERWISE SPECIFIED ON THE PLANS.



ABUTMENT NO. 1
 DECK CLOSURE POUR REINFORCING ELEVATION
 (TRANSVERSE POST-TENSIONING DUCTS NOT SHOWN FOR CLARIFY)
 (ABUTMENT NO. 2 SIMILAR)
 SCALE 1/2" = 1'-0"



PROJECT NAME: CASTLETON	PLOT DATE: 9/19/2014
PROJECT NUMBER: BRF 015-2(10)	DRAWN BY: E.A. FIALA
FILE NAME: z12b138sub.dgn	DESIGNED BY: E.A. FIALA
PROJECT LEADER: S.E. BURBANK	CHECKED BY: S.E. BURBANK
DECK CLOSURE POUR	SHEET 51 OF 82