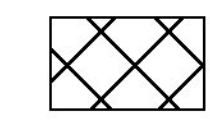
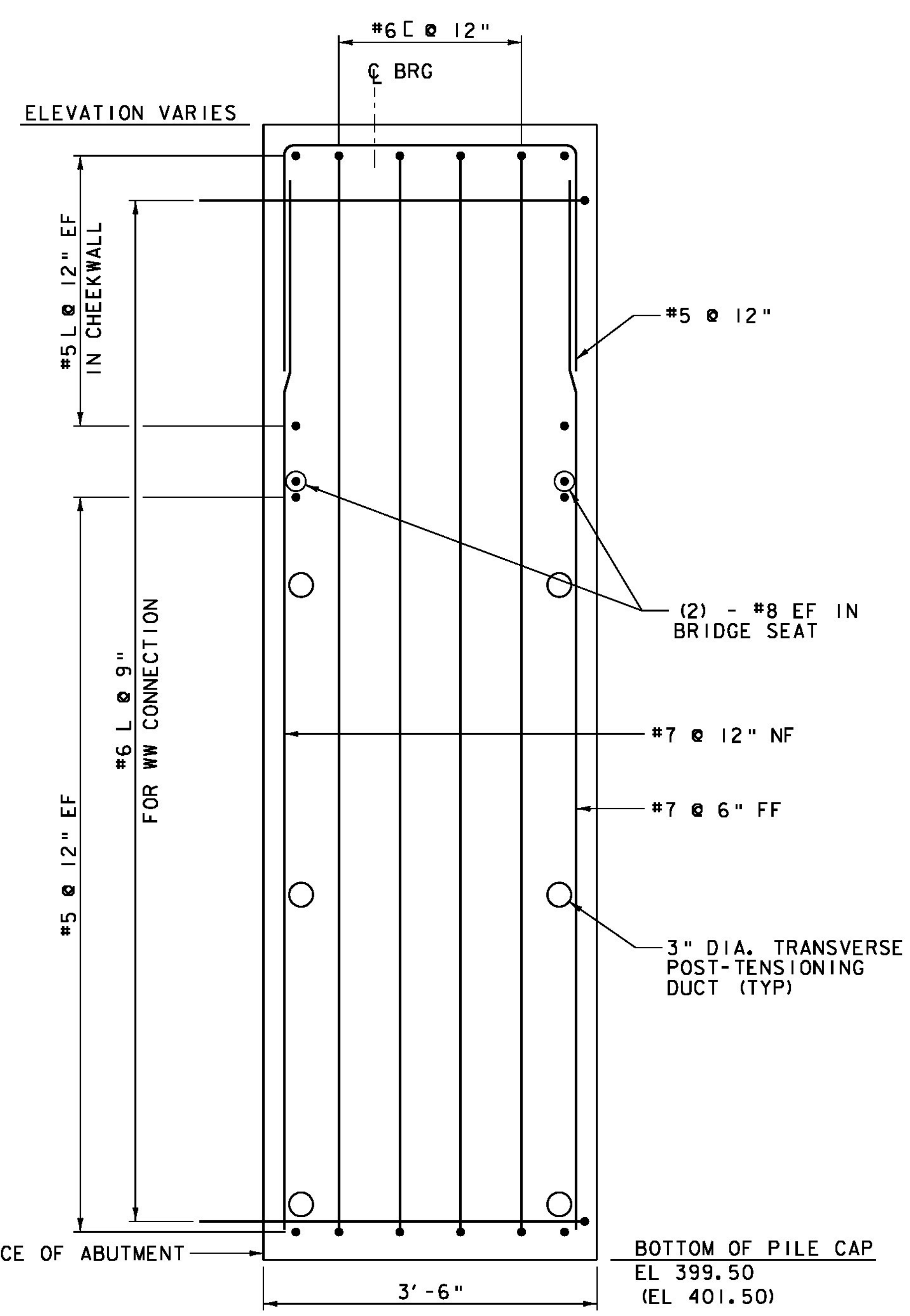
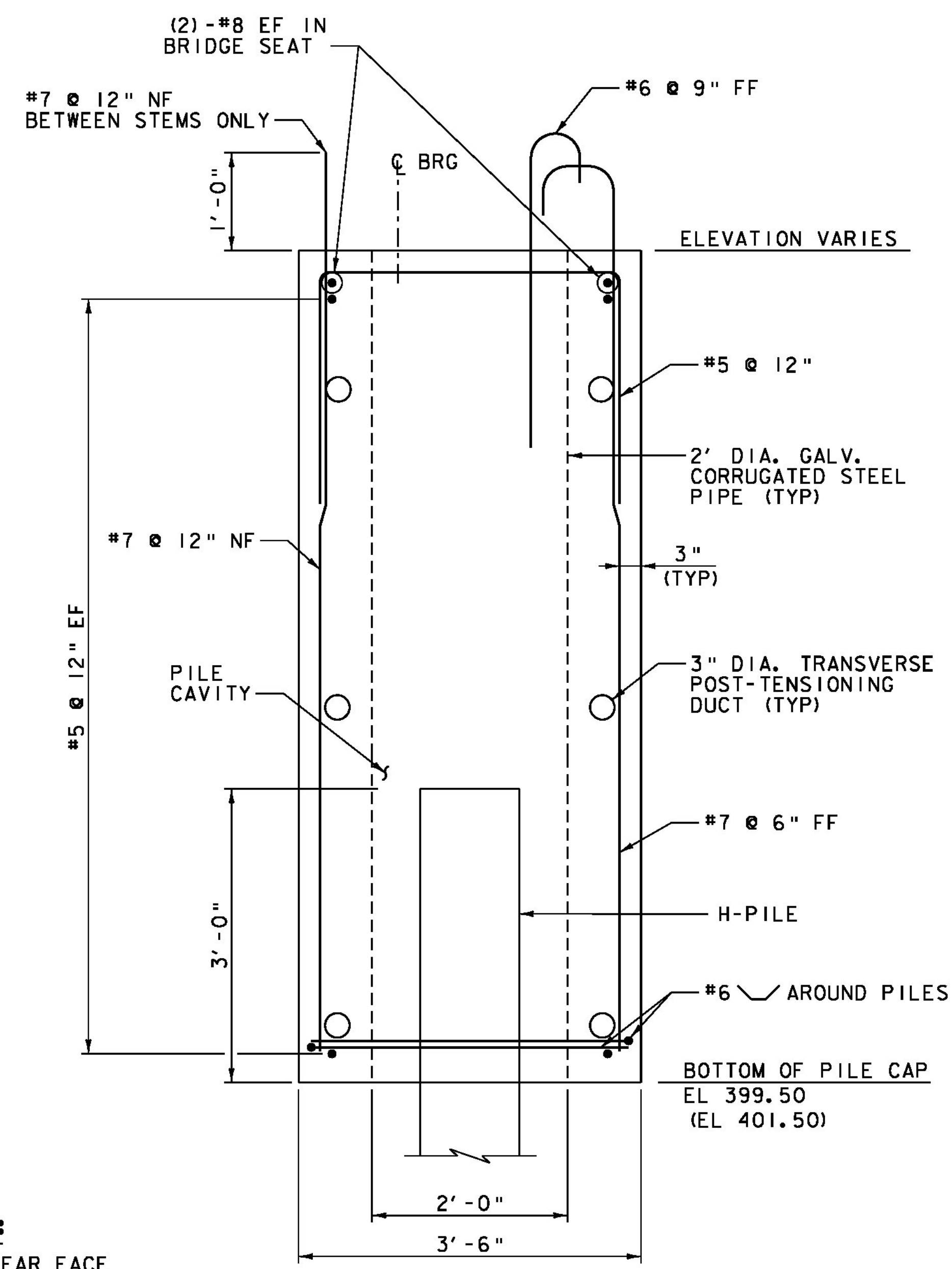
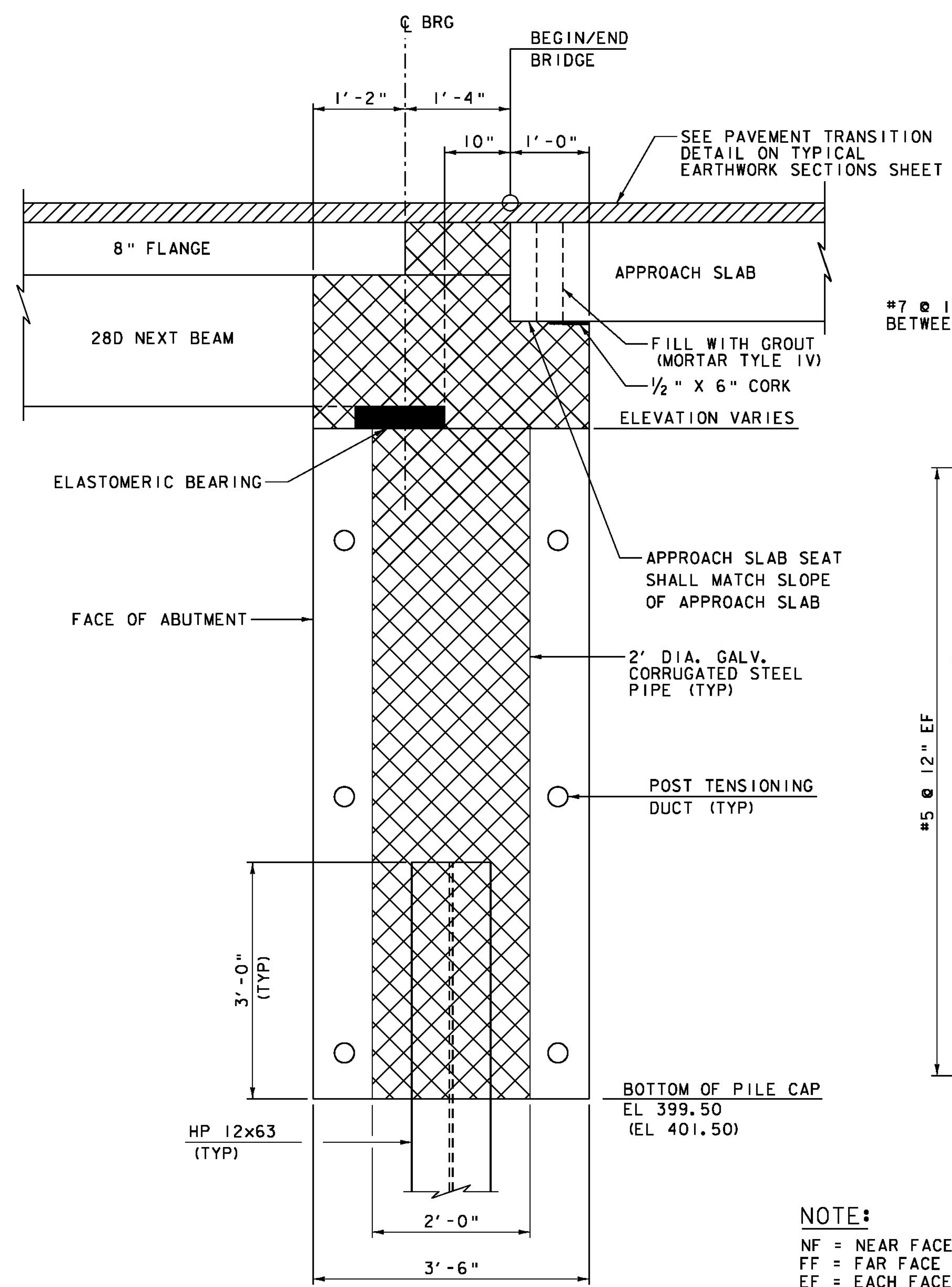


**NOTES:**  
 1. ABUTMENTS SHALL BE PRECAST CONCRETE ACCORDING TO THE APPROPRIATE PRECAST ITEM.

2. SEE PROJECT NOTES FOR ADDITIONAL FABRICATION, CONSTRUCTION, AND SEQUENCE NOTES.

3. ELEVATIONS SHOWN ARE FOR ABUTMENT NO 1. (ELEVATIONS FOR ABUTMENT NO 2 SHOWN IN PARENTHESIS.)

 LIMITS OF HPC CLOSURE POUR



**NOTE:**  
 NF = NEAR FACE  
 FF = FAR FACE  
 EF = EACH FACE  
 ▲ = CUT TO FIT IN FIELD  
 3" CLEAR, UNLESS OTHERWISE SPECIFIED ON THE PLANS.  
 2'-2" BAR LAP UNLESS OTHERWISE SPECIFIED ON THE PLANS.



REV.	DESCRIPTION	DATE
1	CONTRACTOR-FABRICATED PRECAST	12/01/2014
PROJECT NAME: CASTLETON		
PROJECT NUMBER: BRF 015-2(10)		
FILE NAME: z12b138sub.dgn		PLOT DATE: 12/1/2014
PROJECT LEADER: S.E. BURBANK		DRAWN BY: M.C. SCOTT
DESIGNED BY: E.A. FIALA		CHECKED BY: S.E. BURBANK
ABUTMENT SECTIONS		SHEET 49 OF 82