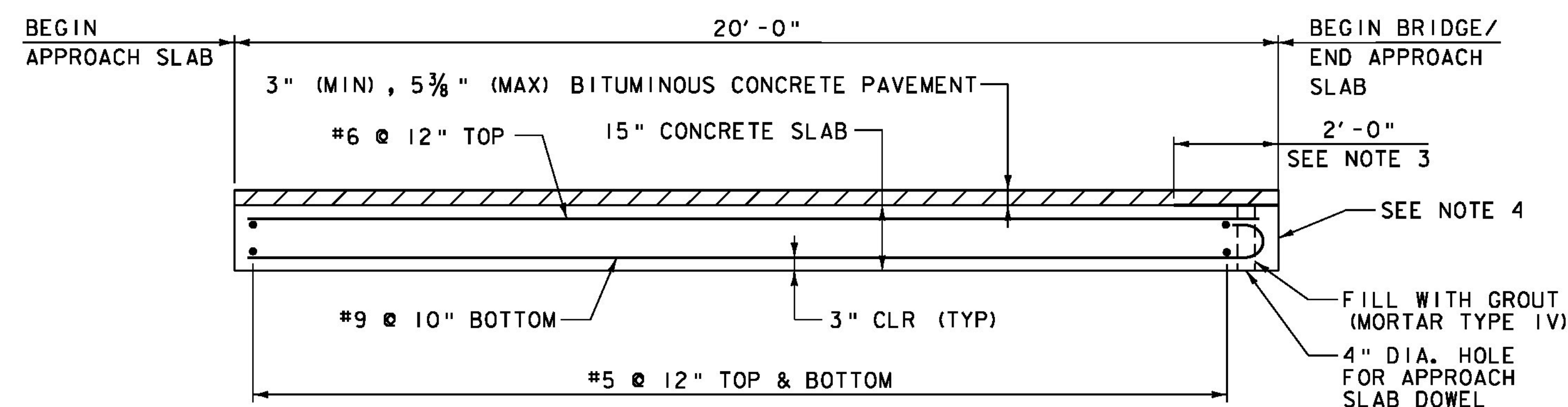
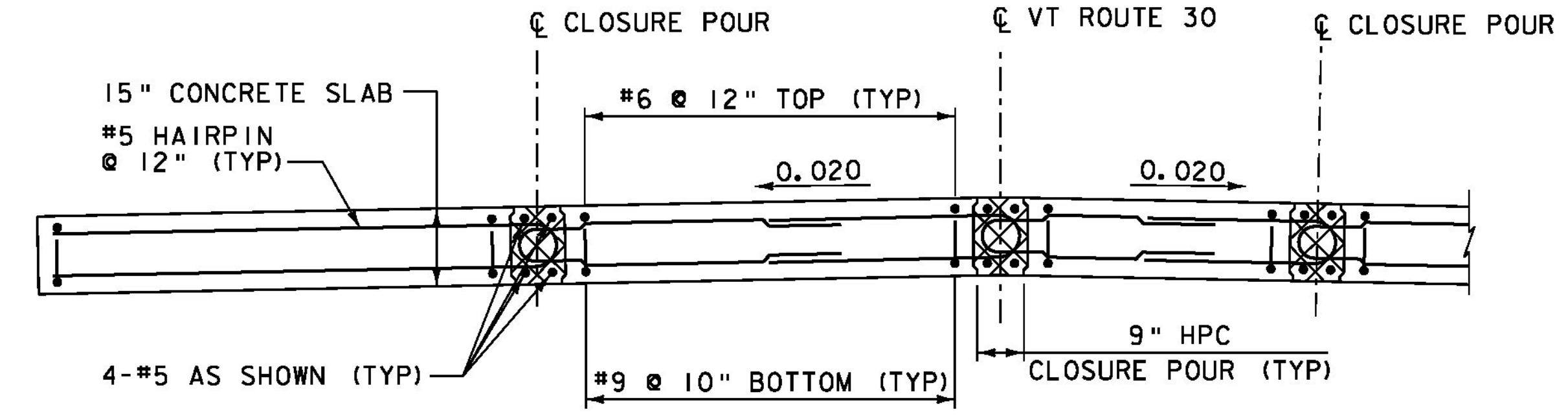


APPROACH SLAB NO 1 PLAN  
SCALE 1/2" = 1'-0"

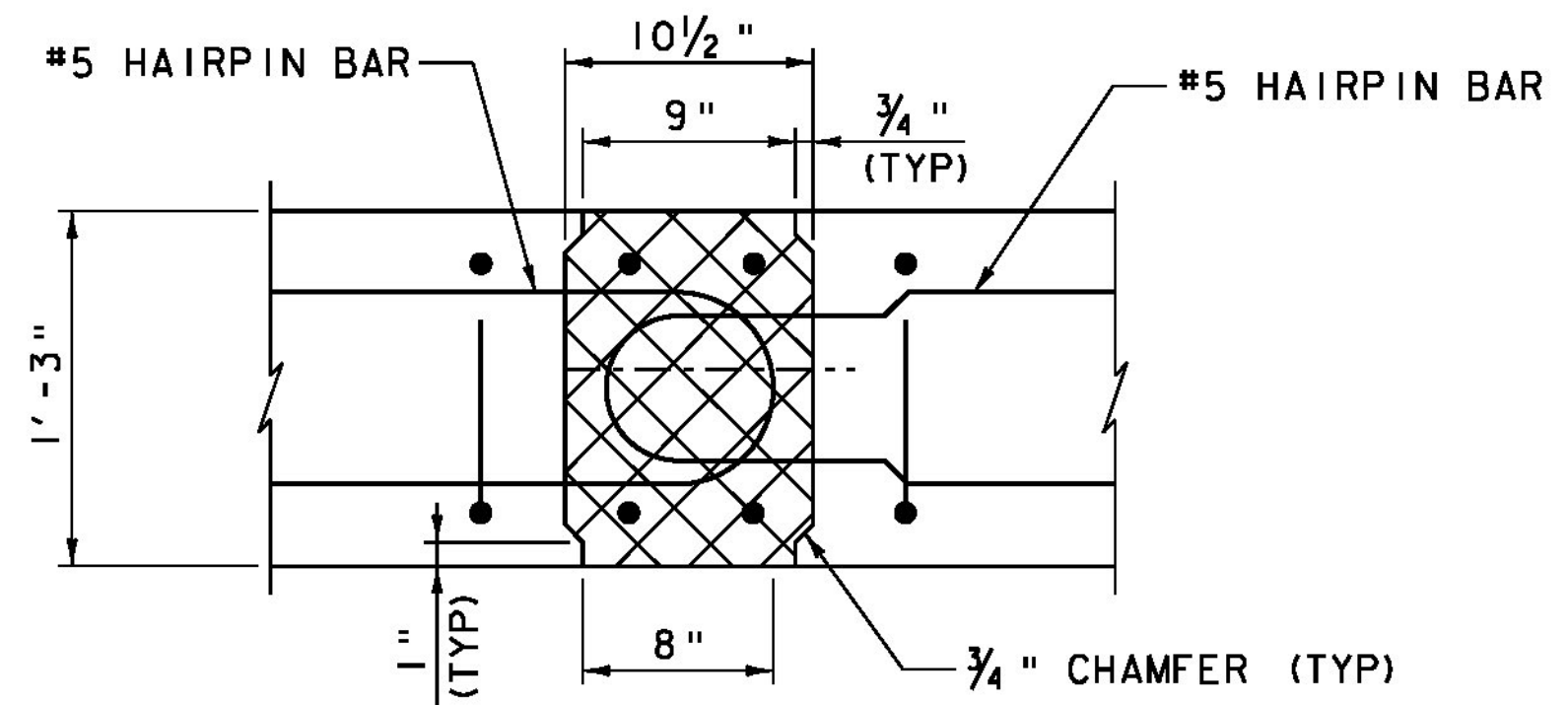


SECTION A-A  
SCALE 1/2" = 1'-0"

LIMITS OF HPC CLOSURE POUR



SECTION B-B  
SCALE 1/2" = 1'-0"



JOINT DETAIL  
SCALE 1 1/2" = 1'-0"

**NOTE:**  
NF = NEAR FACE  
FF = FAR FACE  
EF = EACH FACE  
▲ = CUT TO FIT IN FIELD  
3" CLEAR, UNLESS OTHERWISE SPECIFIED ON THE PLANS.  
2'-2" BAR LAP UNLESS OTHERWISE SPECIFIED ON THE PLANS.

- NOTES:**
- LIFTING POINTS IN APPROACH SLABS TO BE LOCATED BY PRECASTER.
  - CONTRACTOR SHALL INCLUDE IN THE FABRICATION DRAWINGS THE METHOD AND DETAILS FOR ESTABLISHING CONTINUOUS CONTACT WITH SUBGRADE AND SUPPORT FOR PRECAST APPROACH SLABS.
  - MEMBRANE WATERPROOFING, SPRAY APPLIED SHALL BE APPLIED 2'-0" ONTO APPROACH SLAB FROM BEGIN/END BRIDGE.
  - FRONT FACE OF APPROACH SLAB SHALL BE VERTICAL WHEN PLACED ON APPROACH SLAB SEAT.
  - BURIED FRONT FACE OF PRECAST CONCRETE CURB AT APPROACH SLAB SHALL BE VERTICAL BELOW PAVEMENT TO AVOID CONFLICT WITH APPROACH SLAB.

REV.	DESCRIPTION	DATE
1	CONTRACTOR-FABRICATED PRECAST	12/01/2014

PROJECT NAME: CASTLETON	PLOT DATE: 12/1/2014
PROJECT NUMBER: BRF 015-2(10)	DRAWN BY: E.A. FIALA
FILE NAME: z12bi38slab.dgn	CHECKED BY: S.E. BURBANK
PROJECT LEADER: S.E. BURBANK	SHEET 45 OF 82
DESIGNED BY: E.A. FIALA	
PRECAST APPROACH SLABS (1 OF 2)	

