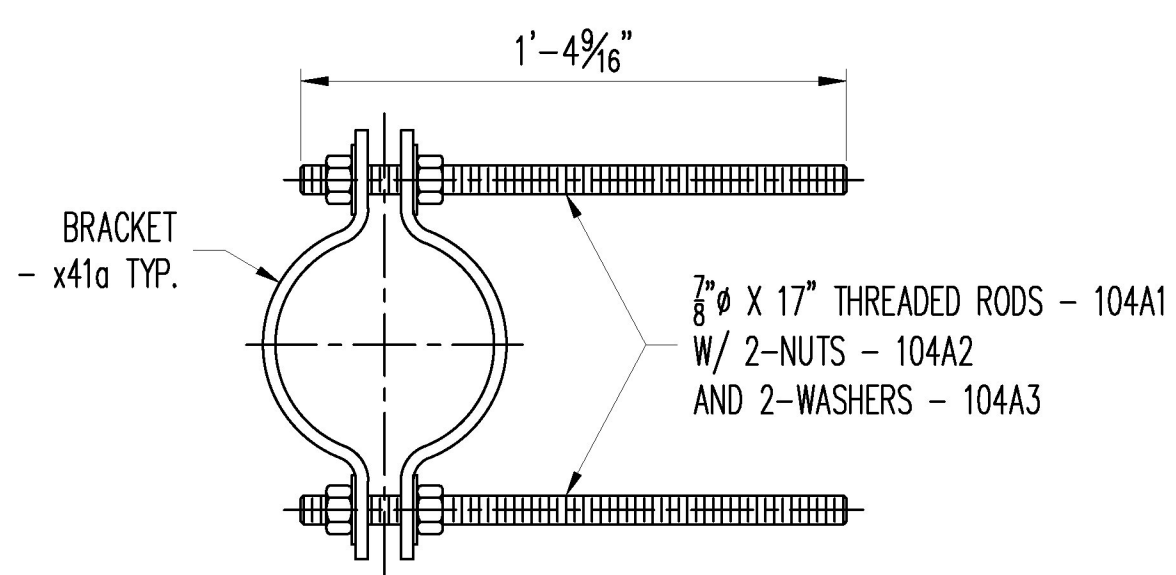
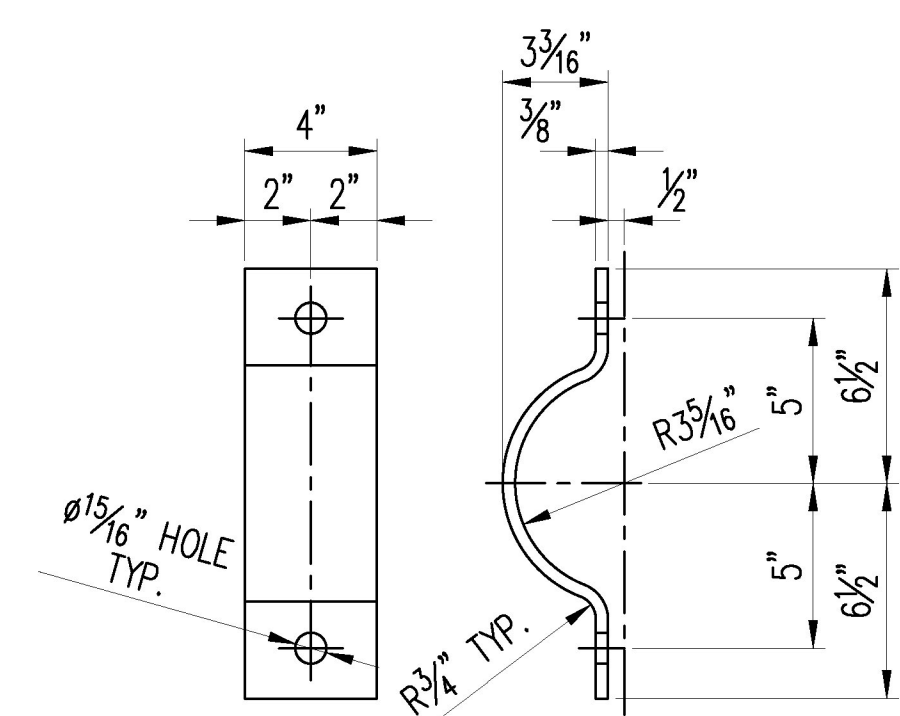


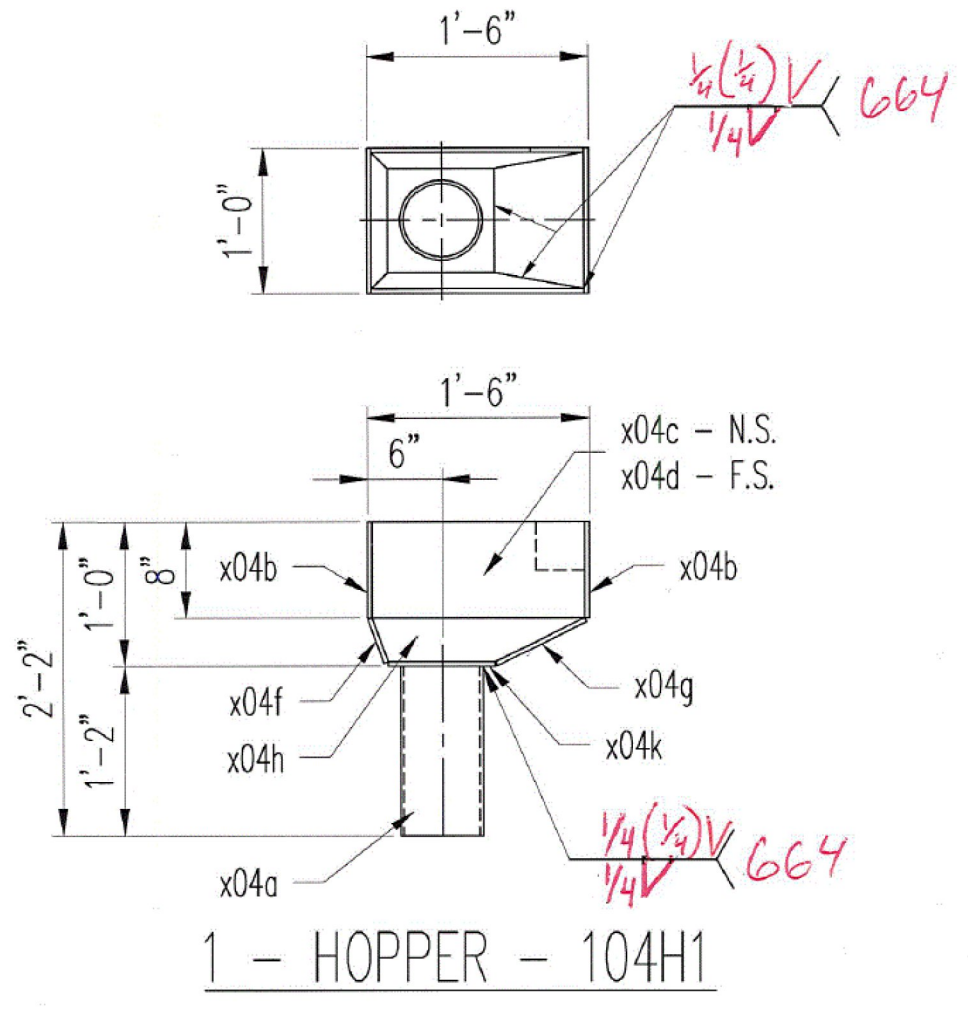
SECTION F-F
SHEET E101



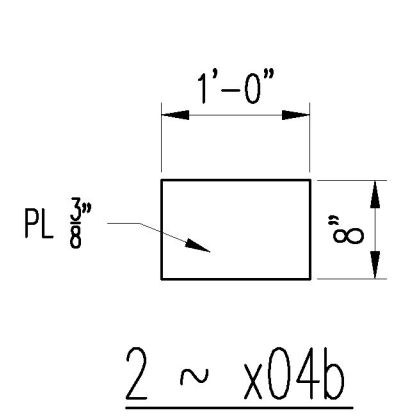
3 ~ SUPPORT ~ 104S1



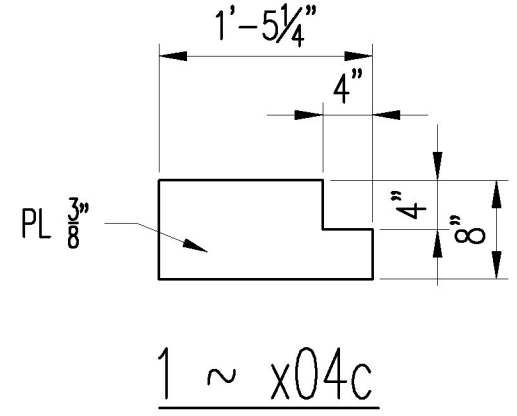
6 ~ BRACKET ~ x41a



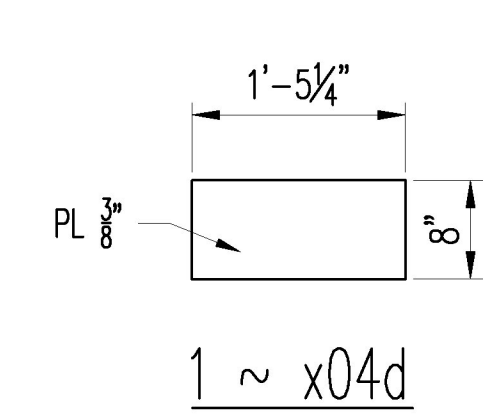
1 - HOPPER - 104H1



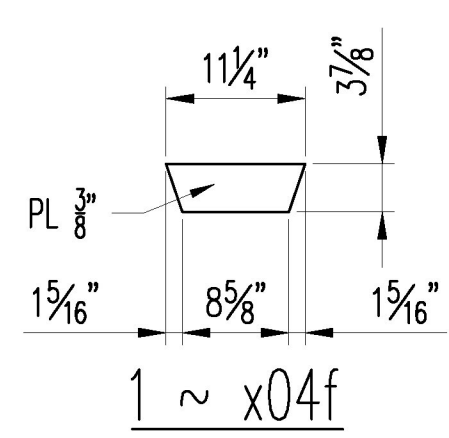
2 ~ x04b



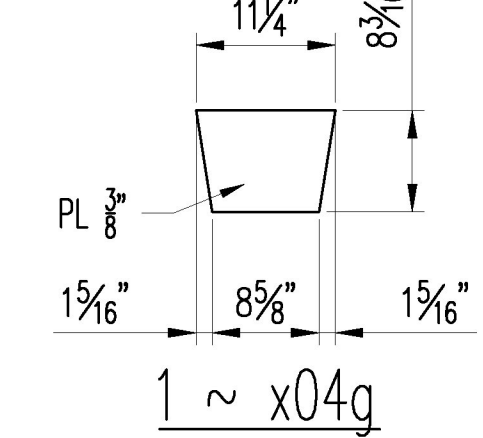
1 ~ x04c



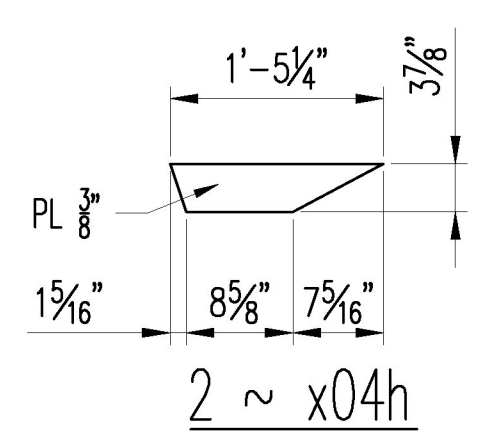
1 ~ x04d



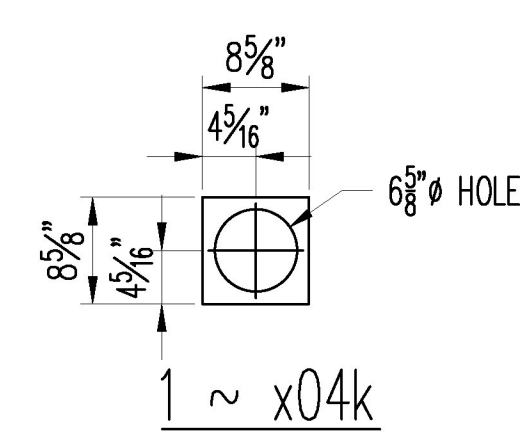
1 ~ x04f



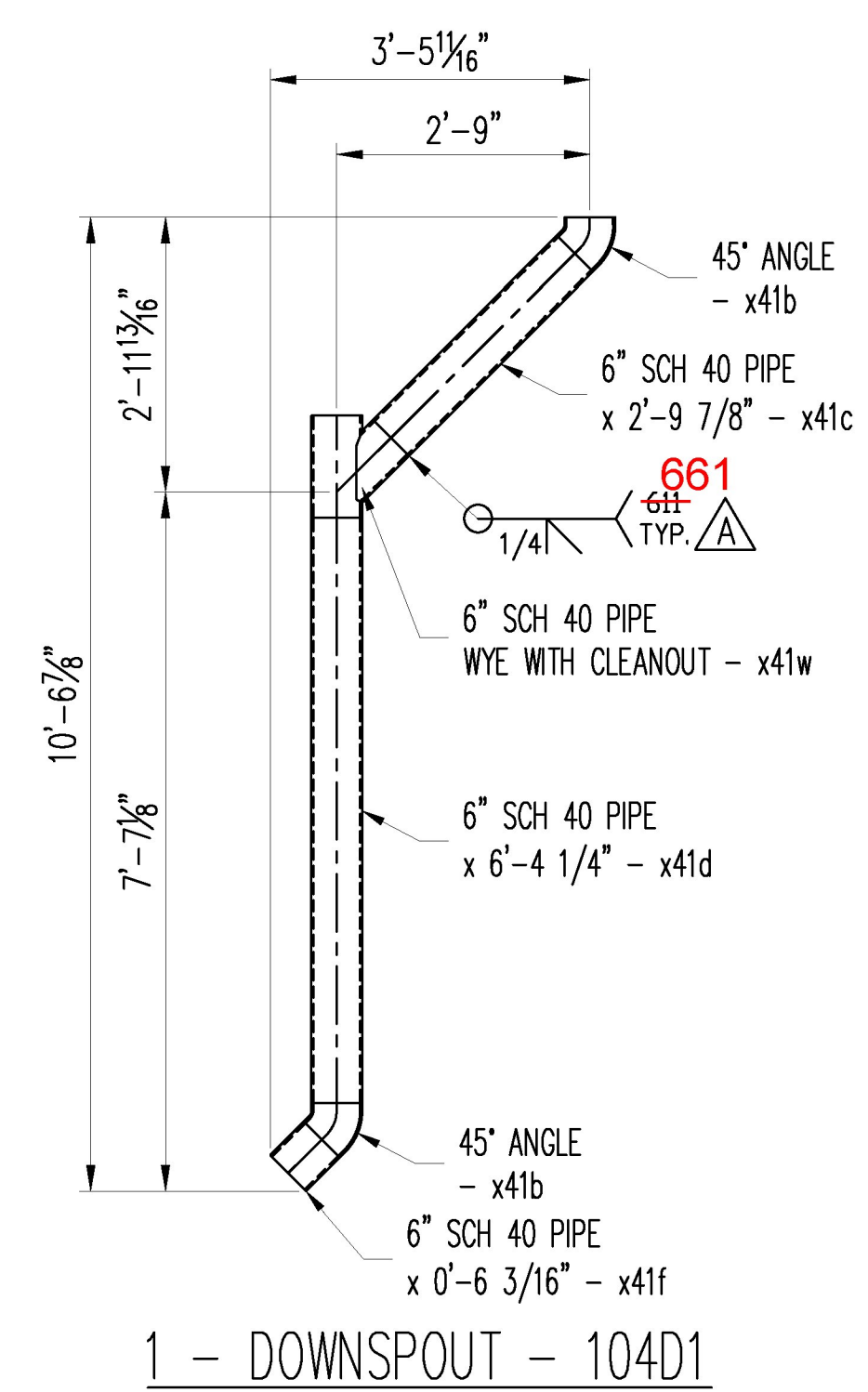
1 ~ x04g



2 ~ x04h



1 ~ x04k



1 - DOWNSPOUT - 104D1

BILL OF MATERIAL									
BLOCK	BLOCK	MARK	NO.	SHAPE	LENGTH		REMARKS		
QTY.	NO.		PCS		FT	IN			
	1	104D1	1	DOWNSPOUT	10	6 7/8	GALV		
	2	x41b	2	6" 45° ELBOW			A500B		
	3	x41c	1	6" SCH 40 PIPE	2	9 1/2	A500B		
	4	x41d	1	6" SCH 40 PIPE	6	4 1/4	A500B		
	5	x41f	1	6" SCH 40 PIPE	0	6 3/16	A500B		
	6	x41w	1	6" SCH 40 WYE	0	6 3/16	A500B		
	7								
	8	104H1	1	HOPPER	2	2	GALV		
	9	x04b	2	PL 3/8 X 8	1	0	GALV		
	10	x04c	1	PL 3/8 X 8	1	5 1/4	GALV		
	11	x04d	1	PL 3/8 X 5	1	5 1/4	GALV		
	12	x04f	1	PL 3/8 X 3 3/8	0	11 1/4	GALV		
	13	x04g	1	PL 3/8 X 8 5/16	0	11 1/4	GALV		
	14	x04h	1	PL 3/8 X 3 3/8	1	5 1/4	GALV		
	15	x04k	1	PL 3/8 X 8 5/8	0	8 5/8	GALV		
	16								
	17	104S1	3	SUPPORT			GALV		
	18	x41a	6	PL 3/8 X 4	1	3 3/8	GALV		
	19								
	20	104A1	6	ANCHOR RODS	1	5			
	21	1m3	6	1/4" TRD. RODS	1	5	W/ 2-NUTS & 2-WASHERS		

Vermont Agency of Transportation
RECEIVED
 ON: April 26, 2016
 and Checked for
CONFORMANCE
 BY: Rob Young DATE: 05/13/2016

Approved _____ X _____ Approved As Noted
 Rejected _____

This review is only for general conformance with the design concept and the information given in the Construction Documents. Corrections or comments made on the shop drawings during the review do not relieve the Contractor from compliance with the requirements of the Plans and Specifications. Review of a specific item shall not include review of an assembly of which an item is a component. The Contractor is responsible for dimensions to be confirmed and corrected at the job site; information that pertains solely to the fabrication process or to the means, methods, techniques, sequences and procedures of construction; coordination of the Work with that of other trades and performing all Work in a safe and satisfactory manner.

Date: 5/12/2016
 By: D. Kull

REV.	DATE	REVISIONS PER APPROVAL	SLB	JEB	APVL	SHOP
4/25						
MATERIAL:		SURFACE PREP. & PAINT:	HOLES:		SHOP BOLTS:	
M270M-250(GR36) U.N.O.		GALV. - PER STD. 726.08	AS NOTED		AS NOTED	
DESCRIPTION: EXPANSION JOINT - DOWNSPOUT						
CASCO BAY STEEL STRUCTURES, INC.						
1 WALLACE AVE.			PHONE (207) 780-6722			
SOUTH PORTLAND, ME 04106			FAX. (207) 780-6726			
STRUCTURE: BRIDGE NO. 177				DRAWN: SLB		DATE: 03/02/16
VT 100 OVER MAD RIVER				CHKD: JEB		DATE: 03/02/16
STATE OF VERMONT AGENCY OF TRANS.				JOB NO. 651		DWG NO. 104
LOCATION: WAITSFIELD, VT				JOB NO.		DWG NO.
PROJ. NO. BRF 013-4(39)				651		104
CUSTOMER: A.L. ST. ONGE CONTRACTOR, INC.						REV. A