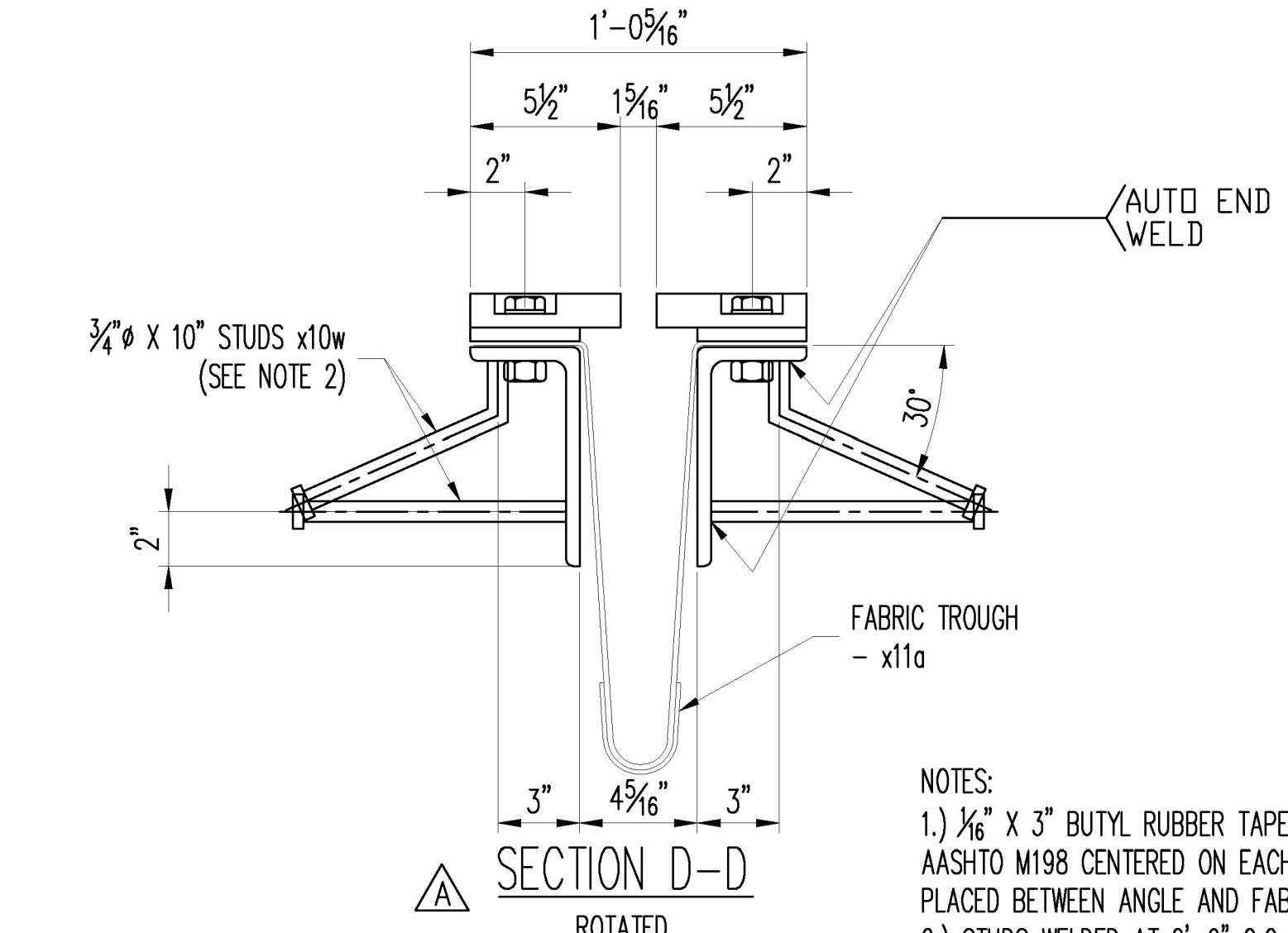
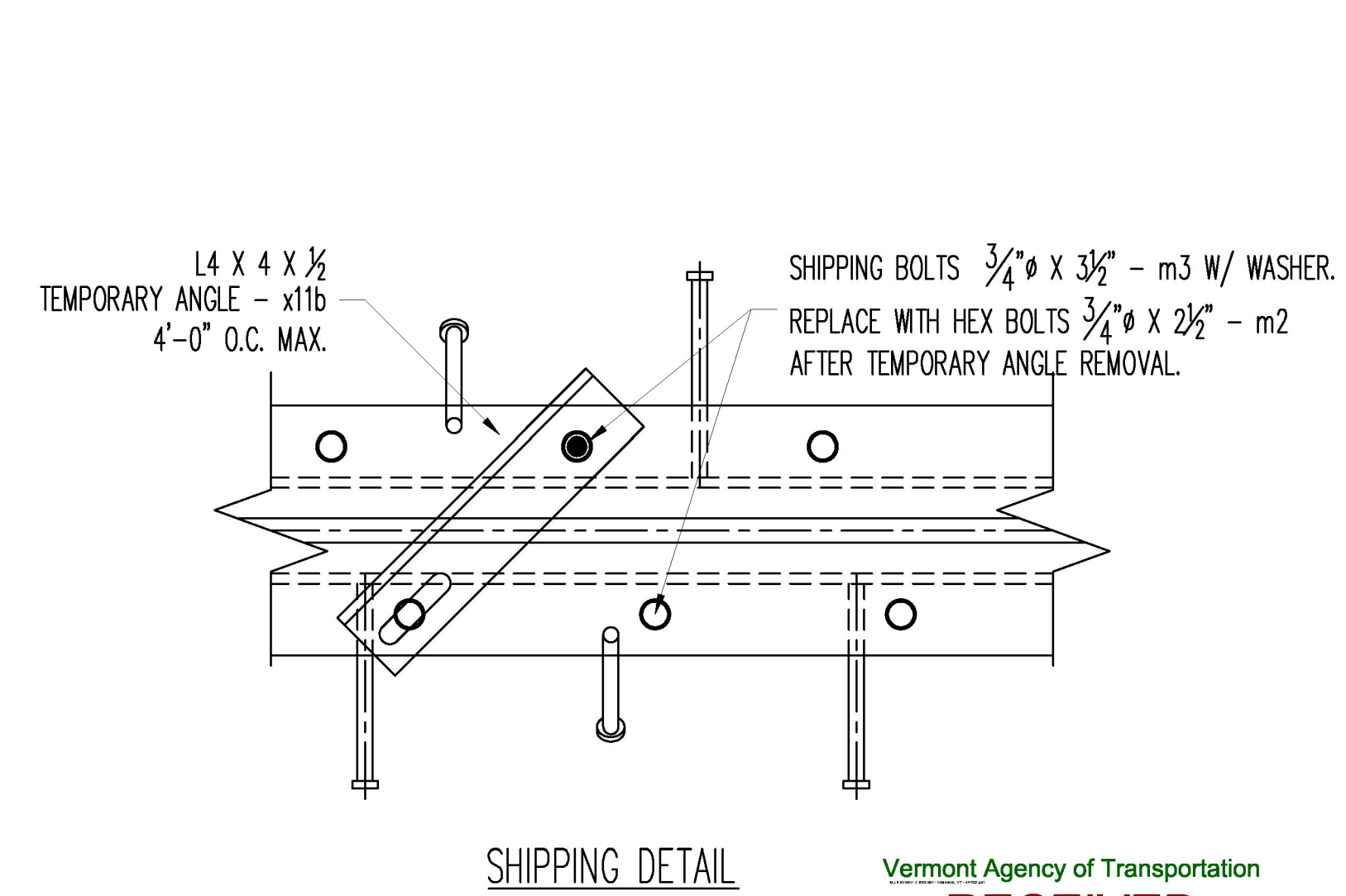
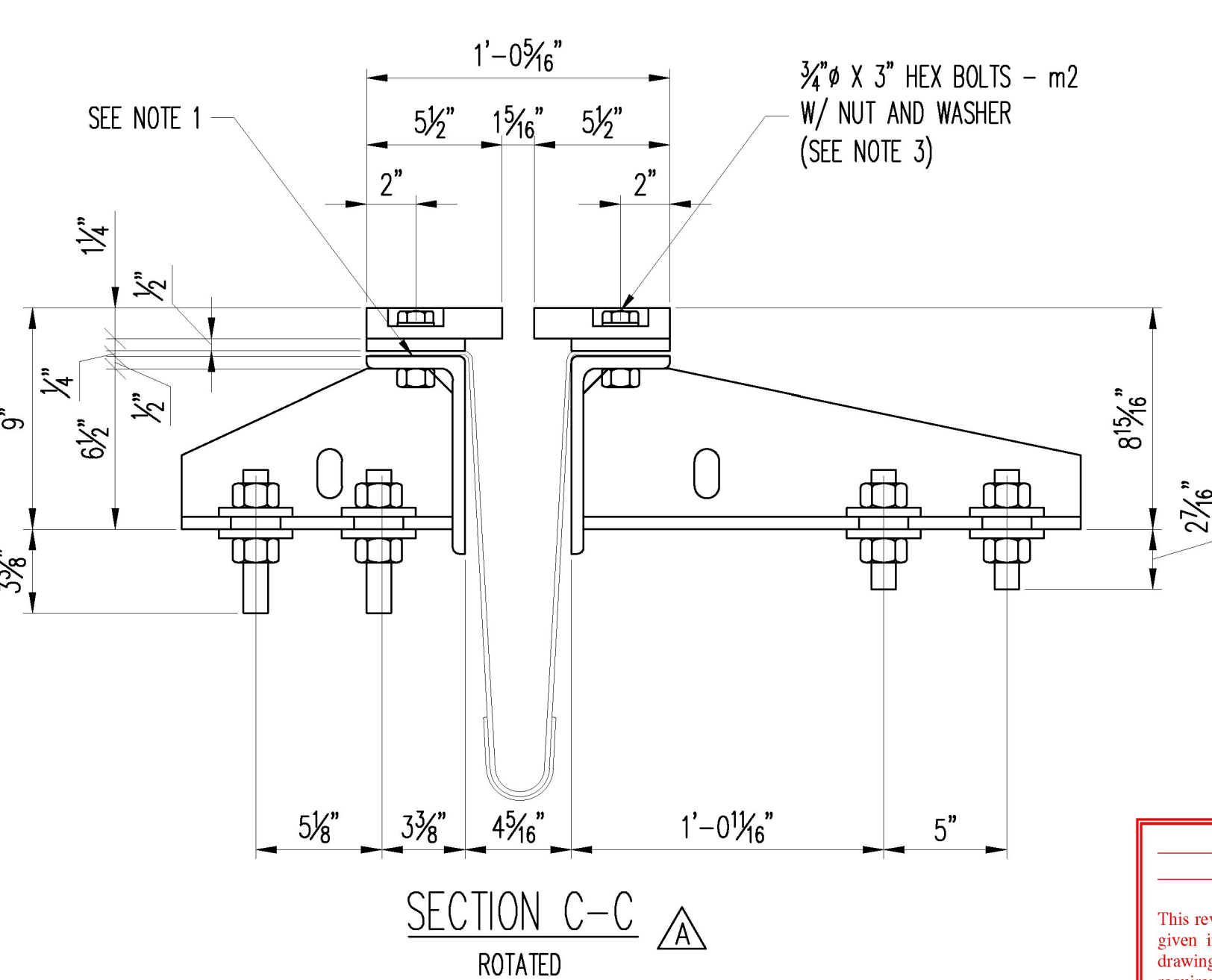
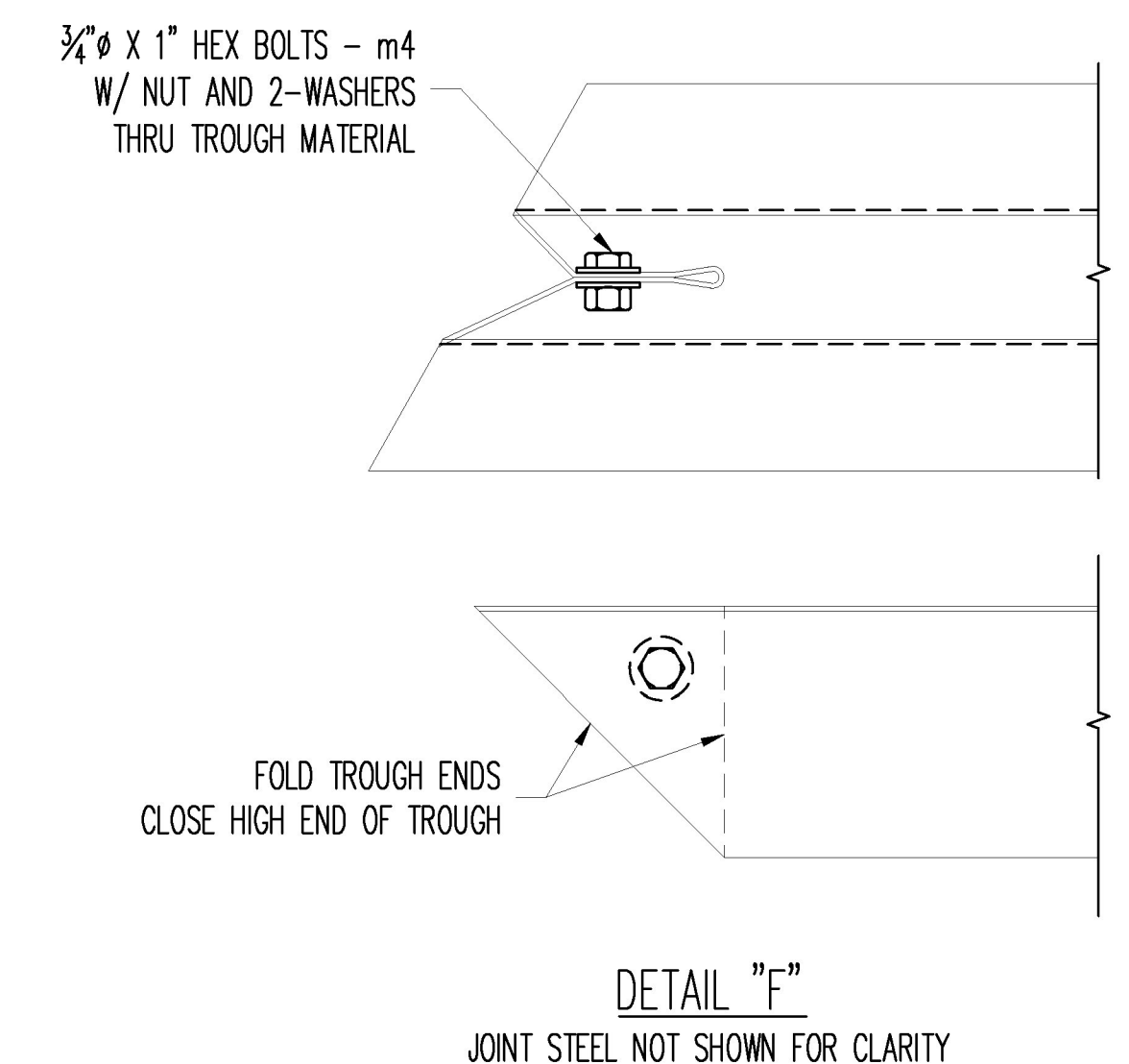


BILL OF MATERIAL							
BLOCK	BLOCK	NO.	MARK	SHAPE	LENGTH	REMARKS	
QTY.	NO.		PCS		FT	IN	
1	1	101JA1	ONE	PLATE JOINT	46	8 15/16	GALV
2	x10a	1		PL 1 1/4 X 5 1/2	22	4 9/16	GALV
3	x10b	1		PL 1 1/4 X 5 1/2	22	4 9/16	GALV
4	x10c	1		PL 1 1/4 X 5 1/2	22	4 9/16	GALV
5	x10d	1		PL 1 1/4 X 5 1/2	22	4 9/16	GALV
6	x11a	1		L8 X 4 X 1/2	23	1 1/16	GALV
7	x11b	1		L8 X 4 X 1/2	23	1 1/16	GALV
8	x11c	1		L8 X 4 X 1/2	23	10	GALV
9	x11d	1		L8 X 4 X 1/2	23	3	GALV
10	x10k	80		PL 3/8 X 3	0	3	GALV
11	x10m	5		PL 1/2 X 8	0	11	GALV
12	x10n	5		PL 1/2 X 6	0	11	GALV
13	x10p	5		PL 1/2 X 8	1	8 3/16	GALV
14	x10r	5		PL 1/2 X 6	0	8 3/16	GALV
15	x12a	1		NP 3/2 X 46	43	5 1/2	FABRIC TROUGH
16	x11b	10		L4 X 4 X 1/4	1	5 3/16	GALV
17	x10w	84		3/4 DIA STUD	0	10	HEADED STUD
18	m1	2		1/8 X 3 TAPE	43	6	AASHTO M198
19	m2	86		3/4 DIA GALV BOLTS	0	3	W/ NUT & WASHER
20	m3	20		1/4 DIA GALV BOLTS	0	3 1/2	W/ NUT & WASHER
21	m4	1		3/4 DIA GALV BOLTS	0	1	W/ NUT & WASHERS
22	1m1	20		1" THRO. RODS	0	6	W/ 2-NUTS
23	1m2	20		1" THRO. RODS	0	5	W/ 2-NUTS
24	x13a	1		PL 1/2 X 4	22	3 1/16	GALV
25	x13b	1		PL 1/2 X 4	22	3 1/16	GALV
26	x13c	1		PL 1/2 X 4	22	3 1/16	GALV
27	x13d	1		PL 1/2 X 4	22	3 1/16	GALV



- NOTES:
- 1) 1/8" X 3" BUTYL RUBBER TAPE MK m1 PER AASHTO M198 CENTERED ON EACH LINE OF BOLTS AND PLACED BETWEEN ANGLE AND FABRIC.
  - 2) STUDS WELDED AT 2'-0" O.C. BENT AS SHOWN ALTERNATE STRAIGHT STUDS AT 2'-0" O.C.
  - 3) WELD NUTS UNDERNEATH ON (3) SIDES COAT BOLT & NUT THREADS WITH NICKEL BASED NEVER SEIZE LUBE.
  - 4) ALL STEEL EDGES TO BE GROUND TO A 1/16" RADIUS.

Approved	X Approved As Noted
Rejected	

Date: 5/12/2016

By: D. Kull

Vermont Agency of Transportation

**RECEIVED**

ON: April 26, 2016

and Checked for

**CONFORMANCE**

BY: Rob Young DATE: 05/13/2016

REV.	DATE	REVISIONS PER APPROVAL	SLB	JEB	APVL	SHOP
MATERIAL:	SURFACE PREP. & PAINT:		HOLES:		SHOP BOLTS:	
M270M-250(GR36) U.N.O.	GALV. - PER STD. 726.08		AS NOTED		AS NOTED	
DESCRIPTION: EXPANSION JOINT - ERECTION SHEET						
CASCO BAY STEEL STRUCTURES, INC.						
1 WALLACE AVE.			PHONE (207) 780-6722			
SOUTH PORTLAND, ME 04106			FAX. (207) 780-6726			
STRUCTURE:	BRIDGE NO. 177		DRAWN:	DATE:		
	VT 100 OVER MAD RIVER		SLB	03/02/16		
	STATE OF VERMONT AGENCY OF TRANS.		CHKD:	DATE:		
			JEB	03/02/16		
LOCATION:	WAITSFIELD, VT		JOB NO.	DWG NO.		
PROJ. NO.	BRF 013-4(39)		651	101		
CUSTOMER:	A.L. ST. ONGE CONTRACTOR, INC.			REV. A		