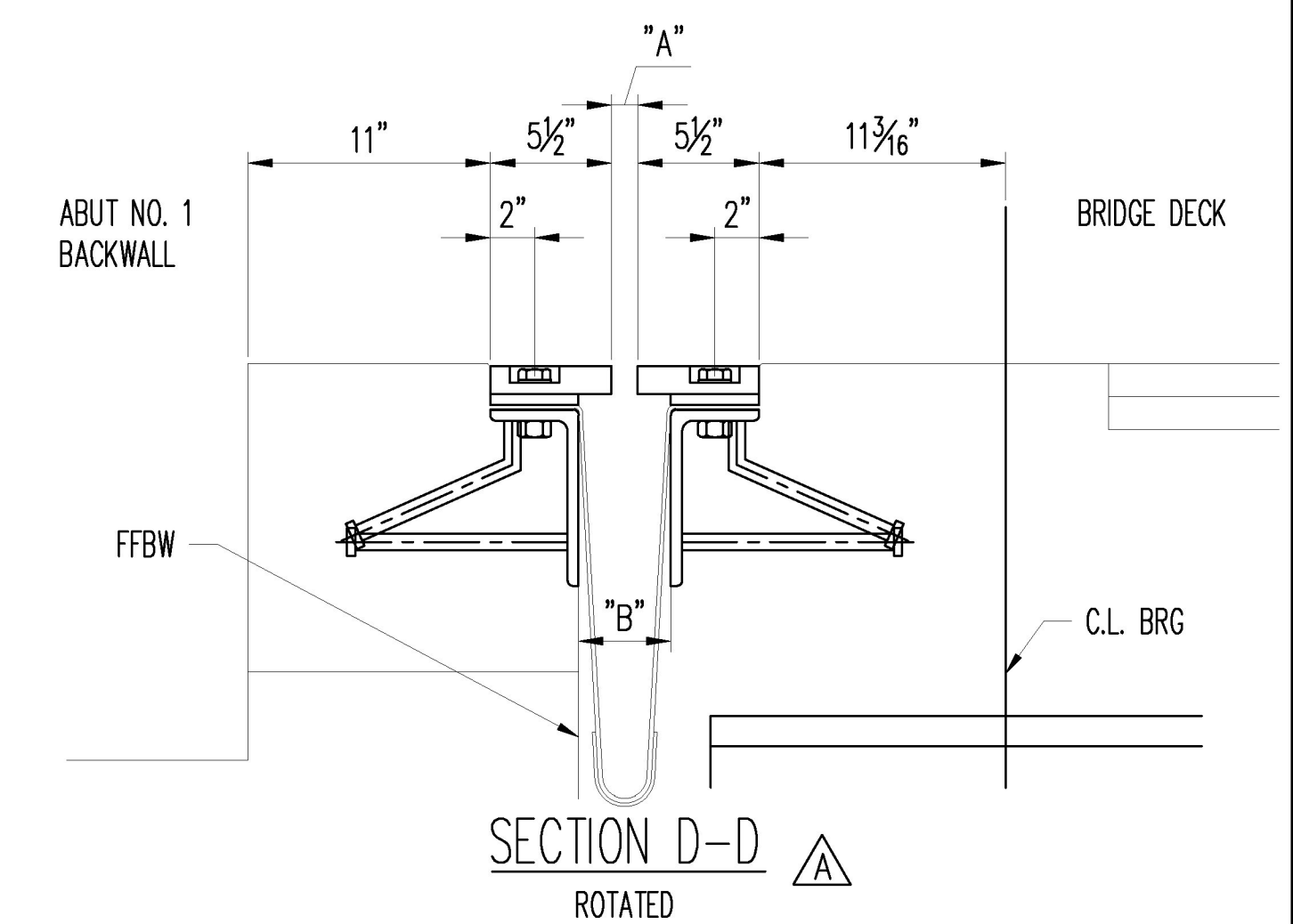
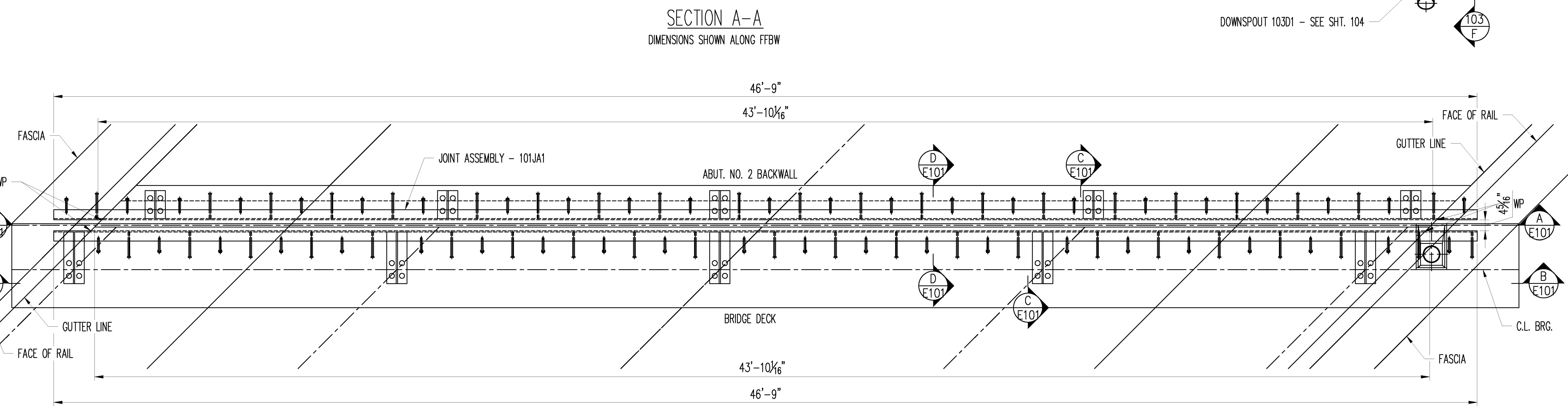
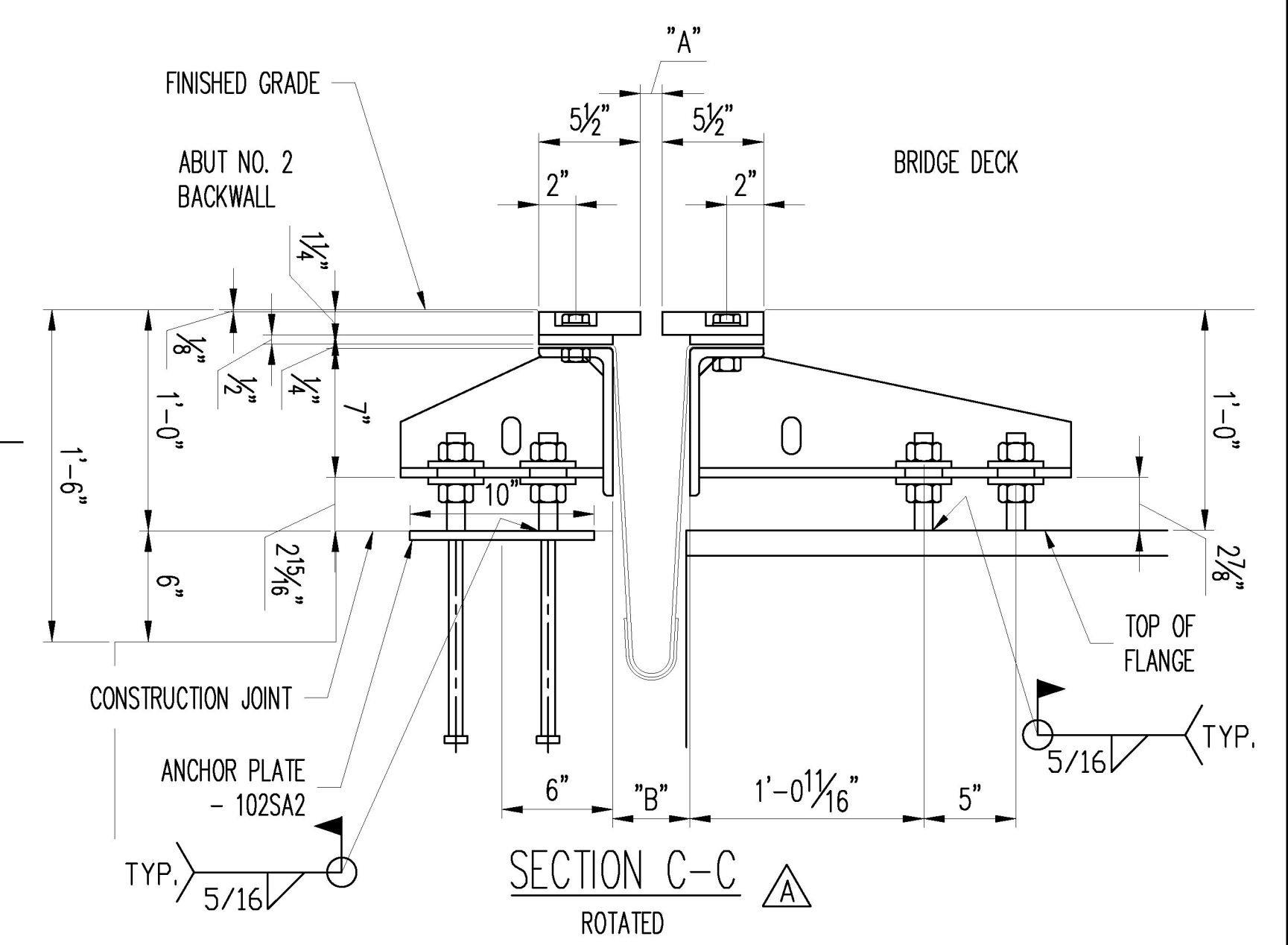
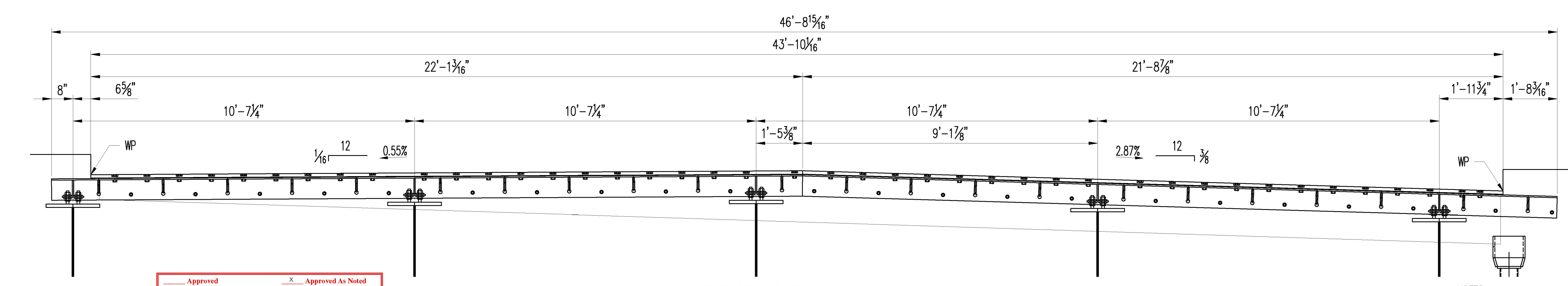


APPROVER VERIFY SLOPE IS CORRECT AS SHOWN. PLEASE NOTE DESIGN PLANS SHEET 48 OF 60 INDICATES A 2.8% SLOPE SHOWN ON THE TROUGH DETAIL



TEMP °F	DIM "A"	DIM "B"
0	1 5/16"	4 5/16"
15°	1 1/2"	4 3/4"
30°	1 1/2"	4 1/2"
45°	1 5/16"	4 5/16"
60°	1 1/16"	4 1/16"
75°	7/8"	3 7/8"
90°	1 1/16"	3 11/16"
105°	7/16"	3 7/16"



NOTES:
- ALL DIMENSIONS SHOWN HORIZONTAL U.N.O.
- ALL DIMENSIONS SHOWN AT 45°.

Approved _____ X Approved As Noted _____
Rejected _____
This review is only for general conformance with the design concept and the information given in the Construction Documents. Corrections or comments made on the slope drawings during the review do not relieve the Contractor from compliance with the requirements of the Plans and Specifications. Review of a specific item shall not include review of an assembly of which an item is a component. The Contractor is responsible for dimensions to be confirmed and corrected at the job site; information that pertains solely to the fabrication process or to the means, methods, techniques, sequences and procedures of construction; coordination of the Work with that of other trades and performing all Work in a safe and satisfactory manner.
Date: 5/12/2016
By: D. Kull
McFarland Johnson

Vermont Agency of Transportation
RECEIVED
ON: April 26, 2016
and Checked for
CONFORMANCE
BY: Rob Young DATE: 05/13/2016

4/25	REVISIONS PER APPROVAL	SLB	JEB		
REV.	DATE	REMARKS	DWN	CHK	APVL SHOP
MATERIAL:		SURFACE PREP. & PAINT:		HOLES:	
M270M-250(GR36) U.N.O.		GALV. - PER STD. 726.08		AS NOTED	
SHOP BOLTS:		AS NOTED			
DESCRIPTION: EXPANION JOINT - FABRICATION SHEET					
CASCO BAY STEEL STRUCTURES, INC.					
1 WALLACE AVE.		PHONE (207) 780-6722			
SOUTH PORTLAND, ME 04106		FAX. (207) 780-6726			
STRUCTURE:		BRIDGE NO. 177		DRAWN:	
VT 100 OVER MAD RIVER				SLB	
STATE OF VERMONT AGENCY OF TRANS.				DATE:	
				03/02/16	
				CHKD:	
				DATE:	
				JEB	
				03/02/16	
LOCATION:		WAITSFIELD, VT		JOB NO.	
PROJ. NO.		BRF 013-4(39)		DWG NO.	
CUSTOMER:		A.L. ST. ONGE CONTRACTOR, INC.		651	
				E101	
				REV. A	