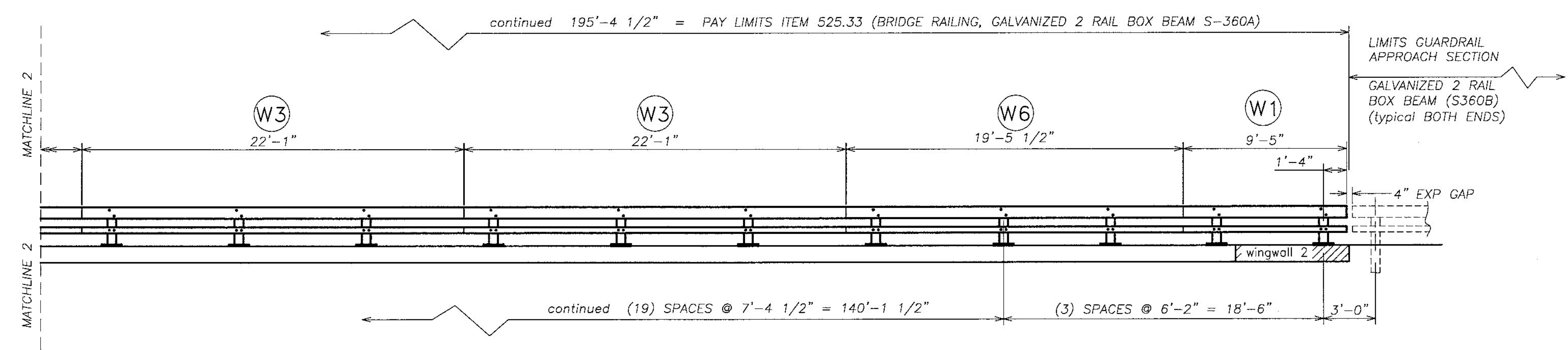


EAST SIDE RAILING ELEVATION
 LOOKING AT TRAFFIC FACE OF RAILING
 FACING EAST FROM CENTERLINE OF ROAD



Vermont Agency of Transportation
RECEIVED
 ON: **January 22, 2016**
 and Checked for
CONFORMANCE
 BY: **Rob Young** DATE: **02/18/2016**

| | |
|----------|---|
| Approved | <input checked="" type="checkbox"/> Approved As Noted |
| Rejected | <input type="checkbox"/> |

This review is only for general conformance with the design concept and the information given in the Construction Documents. Corrections or comments made on the shop drawings during the review do not relieve the Contractor from compliance with the requirements of the Plans and Specifications. Review of a specific item shall not include review of an assembly of which an item is a component. The Contractor is responsible for dimensions to be confirmed and corrected at the job site; information that pertains solely to the fabrication process or to the means, methods, techniques, sequences and procedures of construction; coordination of the Work with that of other trades and performing all Work in a safe and satisfactory manner.

McFarland Johnson
 Date: 2/17/2016
 By: D. Kull

| | |
|---|---|
| HIGHWAY SAFETY CORP | |
| GLASTONBURY, CT 860-633-9445 | |
| ITEM 525.33 BRIDGE RAILING, GALVANIZED 2 RAIL BOX BEAM (S-360A) | CERTIFIED FABRICATOR |
| ITEM 621.72 GUARDRAIL APPROACH, GALV 2 RAIL BOX BEAM (S-360B) | |
| TOWN OF WAITSFIELD, VERMONT ROUTE VT 100 (MINOR ARTERIAL) BRIDGE #177 WASHINGTON COUNTY BR# 013-4(39) | |
| GENERAL CONTRACTOR | HSC JOB NO. 2088 |
| SUB CONTRACTOR | SHEET NO. 2 of 4 |
| LAFAYETTE | |
| DRAWN PAR | CHECKED DATE 01-21-16 SCALE NONE SIZE D |