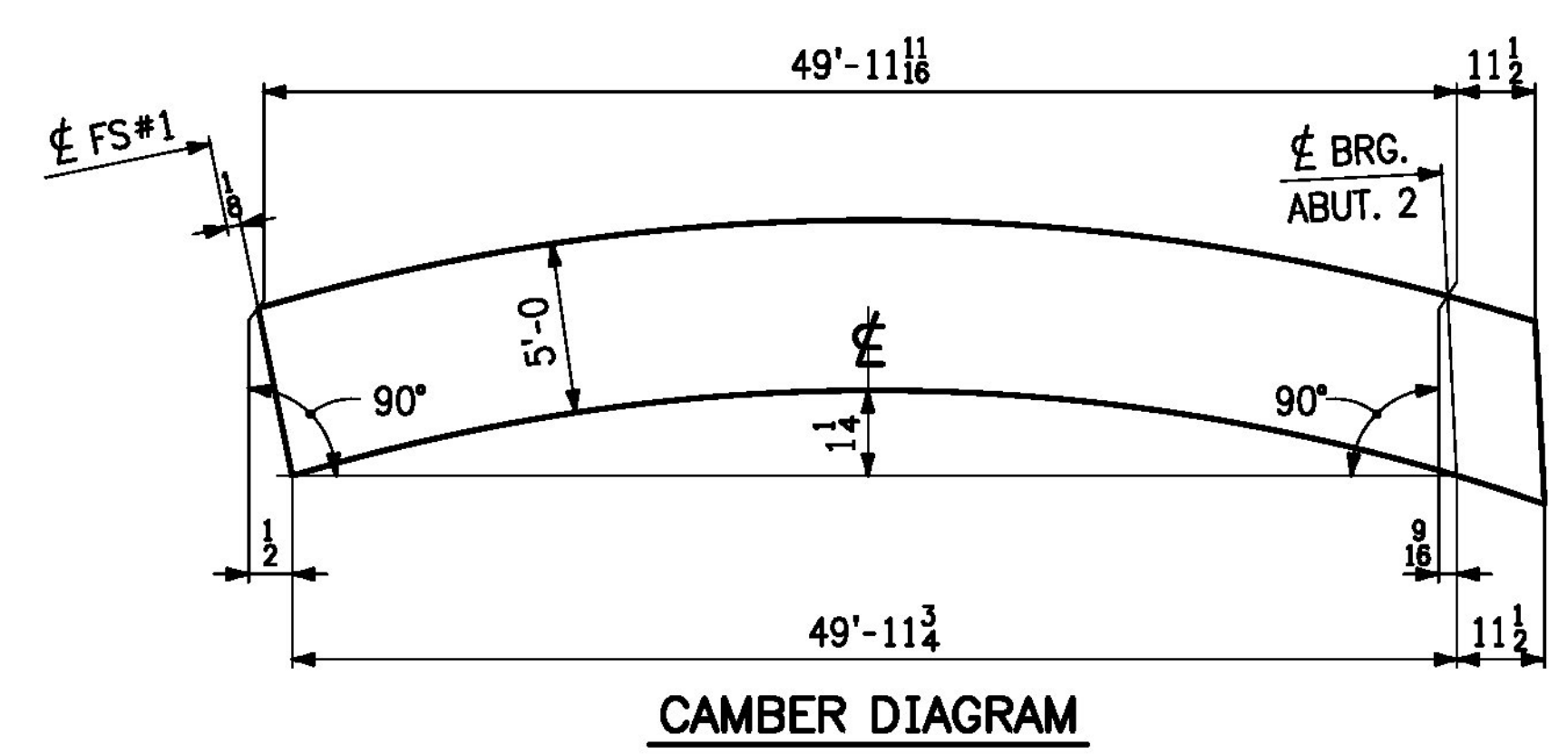


Typ top and bottom flange



LINE	NO. OF PCS.	SHIP MARK	ASS'Y MARK	MATERIAL					REMARKS	
				SHAPE	SECTION	LENGTH FT.	IN.	MATERIAL SPEC.		ITEM NO.
1	1	10G5B			GIRDER					18,117 lbs.
2	1		wa	PL	3/4 x 60	50	11 3/8	M270-50W12	1/24	7806 lbs.
3	1		ta	PL	1 1/2 x 20	4	11 7/8	M270-50W	2/1	509 lbs.
4	1		tb	PL	1 1/2 x 20	45	11 5/8	M270-50W	2/4	3908 lbs.
5	1		ba	PL	1 1/2 x 24	4	11 7/8	M270-50W12	1/25	713 lbs.
6	1		bb	PL	1 1/2 x 24	45	11 3/8	M270-50W12	1/27	4691 lbs.
7										
8	1		x2a	PL	1 x 9 1/2	5	0	M270-50W	4/2	G1E 162 lbs.
9	1		x2d	PL	1 x 9 1/2	5	0	M270-50W	4/2	G1E 162 lbs.
10	1		x2m	PL	1/2 x 9 1/2	5	0	M270-50W	4/3	81 lbs.
11	1		x2p	PL	1/2 x 9 1/2	5	0	M270-50W	4/3	81 lbs.
12	1		x2at	PL	1/4 x 3 1/2	1	3 7/8	M270-50W	4/4	4 lbs.
13										
14										
15										
16										
17										
18										
19										
20										
21										
22										
23										
24										
25										

Vermont Agency of Transportation
RECEIVED
 CK'D BY _____ OK'D BY Rob Young
 April 4, 2016
 RESUBMIT NO _____ Approved AsNoted
 BY Rob Young DATE 04/08/2016

Approved _____ X Approved As Noted
 Rejected _____
 This review is only for general conformance with the design concept and the information given in the Construction Documents. Corrections or comments made on the shop drawings during the review do not relieve the Contractor from compliance with the requirements of the Plans and Specifications. Review of a specific item shall not include review of an assembly of which an item is a component. The Contractor is responsible for dimensions to be confirmed and corrected at the job site; information that pertains solely to the fabrication process or to the means, methods, techniques, sequences and procedures of construction; coordination of the Work with that of other trades and performing all Work in a safe and satisfactory manner.
 Date: 4/7/2016
 By: D. Kull

NO.	DATE	REMARKS	BY
REVISIONS			
		CASCO BAY STEEL STRUCTURES ONE WALLACE AVENUE PHONE: 207-780-8722 SOUTH PORTLAND, ME 04106 FAX: 207-780-8726	
STRUCTURE <u>VT 100 OVER MAD RIVER</u>			
LOCATION <u>TOWN OF WAITSFIELD, VERMONT</u>			
PROJECT NO. <u>PROJECT NO. BRP 013-4(39) BRIDGE NO. 177</u>			
ENGINEER <u>McFARLAND JOHNSON</u>			
CUSTOMER <u>AL. ST. ONGE CONTRACTOR, INC.</u>			
ITEM <u>GIRDER ~ 10G5B</u>			
SURFACE PREP. <u>SSPC-SP10</u> OPEN HOLES <u>1/8"</u>			
PAINT <u>NONE</u>			
APPROVAL	DRAWN <u>VHM</u> 1-28-16	SHEET NO. <u>10B</u>	JOB NO. <u>651</u>
SHOP	CHECKED <u>FM</u> 3-10-16		