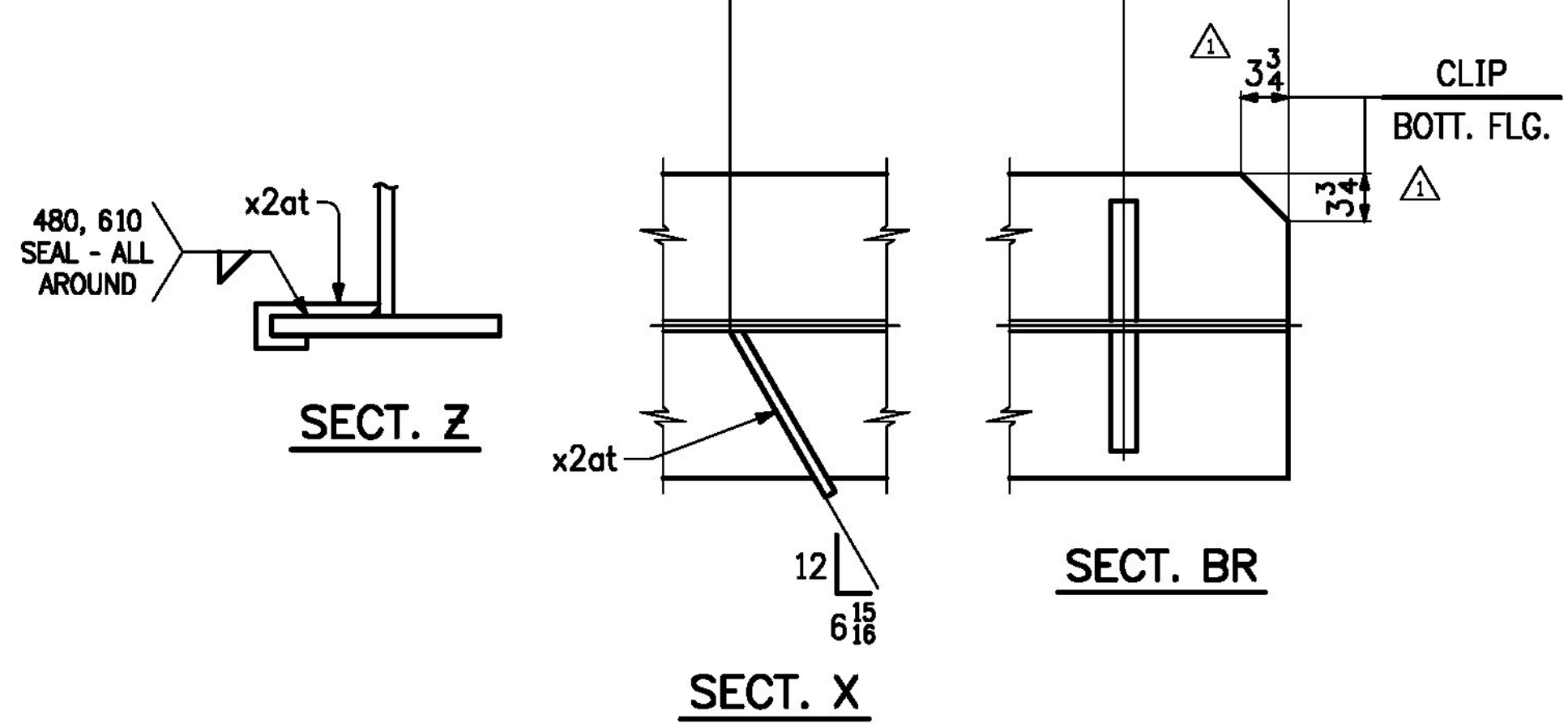


- ONE ~ GIRDER ~ 10G5B**
- FOR GIRDER STANDARD DETAILS, SEE SHT. X2.
  - FOR WEB CUTTING DIAGRAM, SEE SHT. C3.
  - FOR FLANGE CUTTING DIAGRAMS, SEE SHT. C3.
  - FOR GENERAL NOTES, SEE SHT. GN1.
  - "BRG. AREA" INDICATES AREA THAT MUST BE FLAT TO PROVIDE A UNIFORM EVEN CONTACT WITH SOLE PLATE.



Vermont Agency of Transportation  
**RECEIVED**  
 CK'D BY \_\_\_\_\_ OK'D BY Rob Young  
 April 4, 2016  
 RESUBMIT NO Approved AsNoted  
 BY Rob Young DATE 04/08/2016

Approved \_\_\_\_\_ X Approved As Noted  
 Rejected \_\_\_\_\_

This review is only for general conformance with the design concept and the information given in the Construction Documents. Corrections or comments made on the shop drawings during the review do not relieve the Contractor from compliance with the requirements of the Plans and Specifications. Review of a specific item shall not include review of an assembly of which an item is a component. The Contractor is responsible for dimensions to be confirmed and corrected at the job site; information that pertains solely to the fabrication process or to the means, methods, techniques, sequences and procedures of construction; coordination of the Work with that of other trades and performing all Work in a safe and satisfactory manner.

Date 4/7/2016  
 By D. Kull

**McFarland Johnson**

NO.	DATE	REVISIONS	BY
△	3-30-16	REVISED SECT. BR PER APPROVAL COMMENTS.	VHM
REVISIONS			
<b>CASCO BAY STEEL</b> STRUCTURES		<b>CASCO BAY STEEL STRUCTURES</b> ONE WALLACE AVENUE SOUTH PORTLAND, ME 04106 PHONE: 207-780-6722 FAX: 207-780-6726	
STRUCTURE	VT 100 OVER MAD RIVER		
LOCATION	TOWN OF WAITSFIELD, VERMONT		
PROJECT NO.	PROJECT NO. BRF 013-4(39) BRIDGE NO. 177		
ENGINEER	MCFARLAND JOHNSON		
CUSTOMER	AL. ST. ONGE CONTRACTOR, INC.		
ITEM	GIRDER ~ 10G5B		
SURFACE PREP.	SSPC-SP10	OPEN HOLES	1 1/2"
PAINT	NONE		
APPROVAL	DRAWN VHM 1-28-16	SHEET NO.	JOB NO.
SHOP	CHECKED FM 3-10-16	10AB	651

Sheet 1048 - Printed: 03/30/2016 @ 11:56 (HEADLINE)