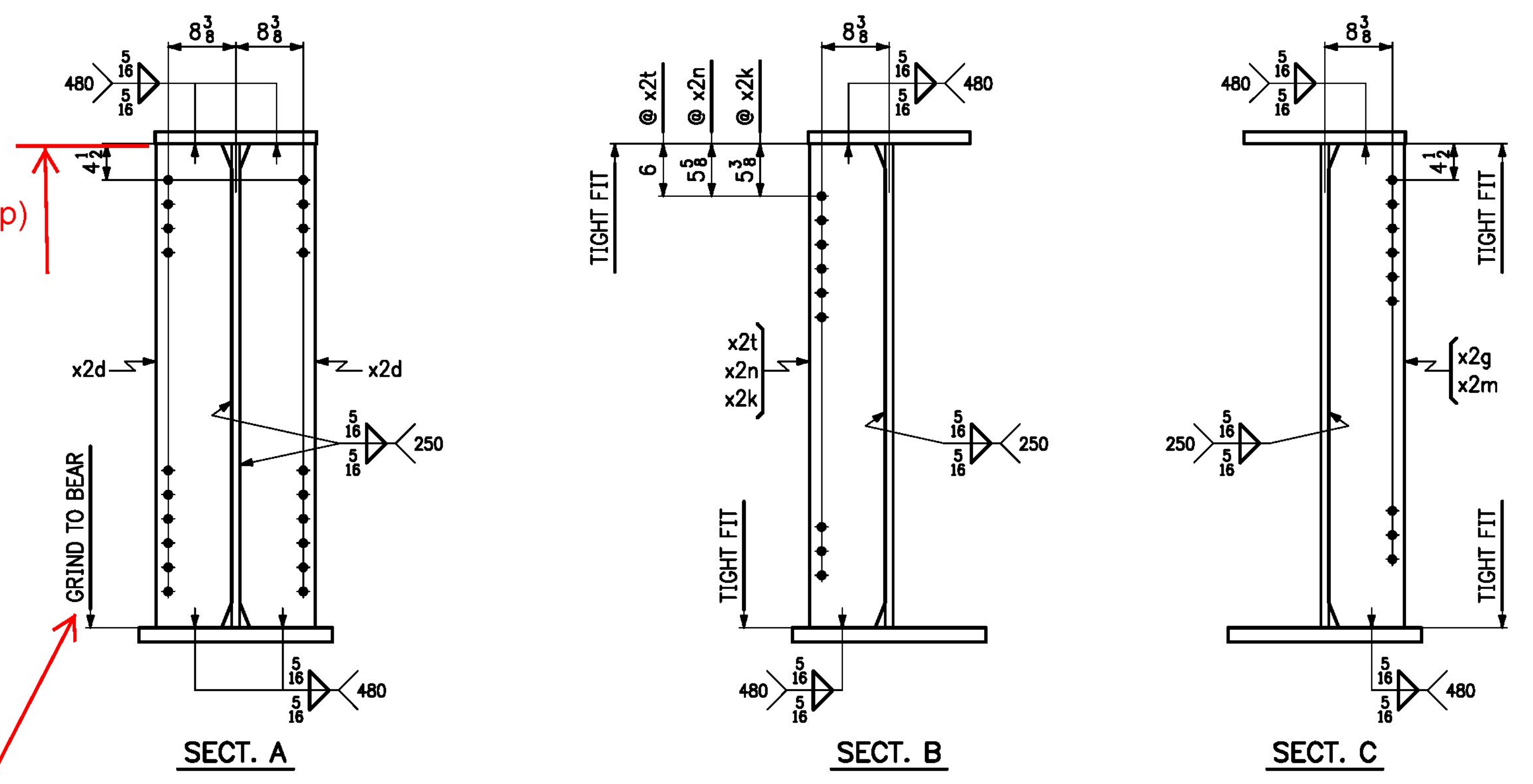
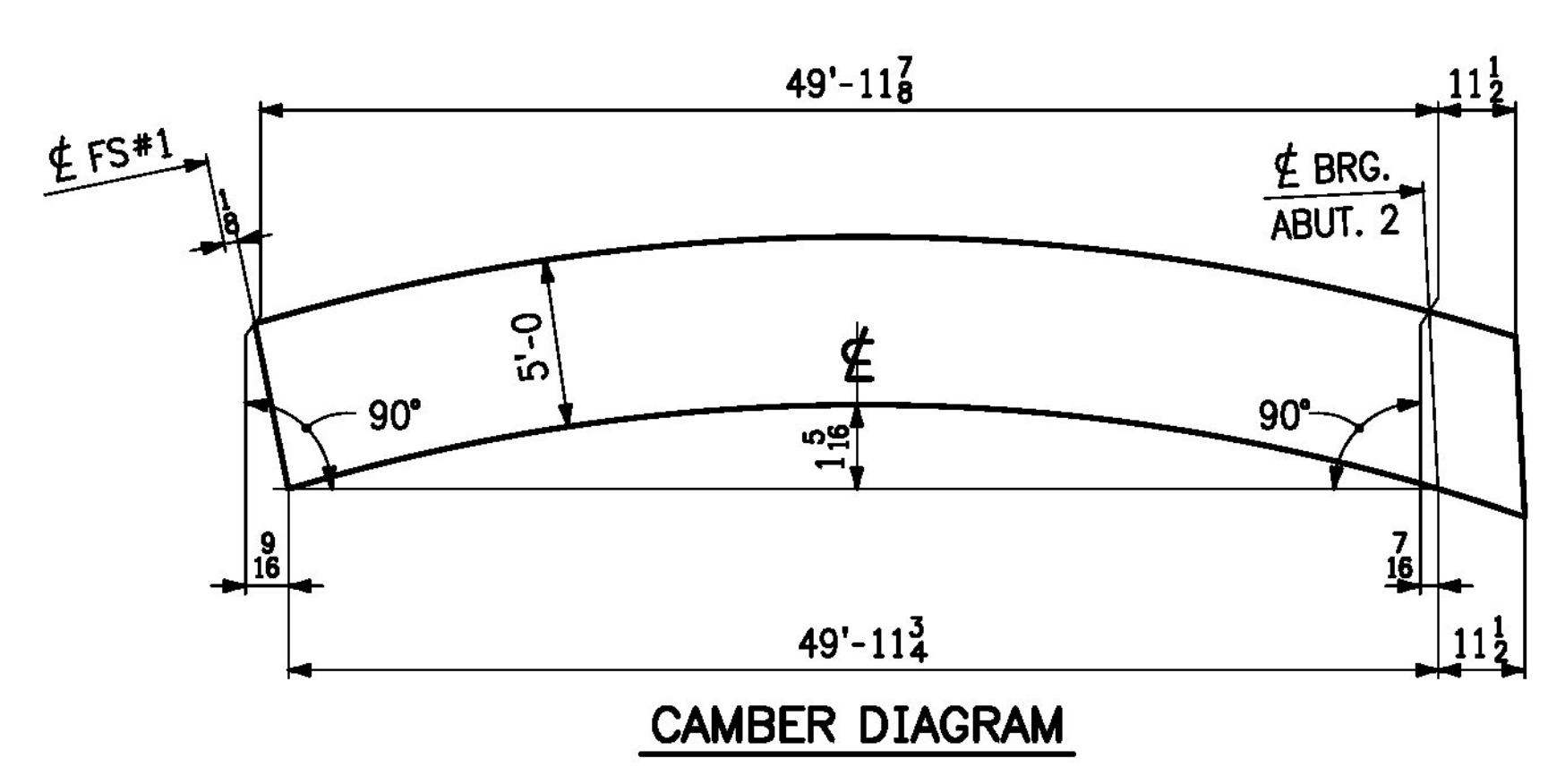


LINE	NO. OF PCS.	SHIP MARK	ASS'Y MARK	MATERIAL					REMARKS	
				SHAPE	SECTION	LENGTH FT.	IN.	MATERIAL SPEC.		ITEM NO.
1	1	9G4B		GIRDER					18,359 lbs.	
2	1		wa	PL	3/4 x 60	50	11 1/8	M270-50W12	1/24	7807 lbs.
3	1		ta	PL	1 1/2 x 20	4	11 1/8	M270-50W	2/1	509 lbs.
4	1		tb	PL	1 1/2 x 20	45	11 1/8	M270-50W	2/3	3910 lbs.
5	1		ba	PL	1 1/2 x 24	4	11 1/8	M270-50W12	2/25	713 lbs.
6	1		bb	PL	1 1/2 x 24	45	11 3/8	M270-50W12	1/27	4691 lbs.
7										
8	2		x2d	PL	1 x 9 1/2	5	0	M270-50W	4/2	G1E 324 lbs.
9	1		x2g	PL	1/2 x 9 1/2	5	0	M270-50W	4/3	81 lbs.
10	1		x2k	PL	1/2 x 9 1/2	5	0	M270-50W	4/3	81 lbs.
11	1		x2m	PL	1/2 x 9 1/2	5	0	M270-50W	4/3	81 lbs.
12	1		x2n	PL	1/2 x 9 1/2	5	0	M270-50W	4/3	81 lbs.
13	1		x2t	PL	1/2 x 9 1/2	5	0	M270-50W	4/3	81 lbs.
14										
15										
16										
17										
18										
19										
20										
21										
22										
23										
24										
25										

Tight fit (typ)



Typ bottom flange



Vermont Agency of Transportation  
**RECEIVED**  
 CK'D BY \_\_\_\_\_ OK'D BY Rob Young  
 April 4, 2016  
 RESUBMIT NO \_\_\_\_\_ Approved As Noted  
 BY Rob Young DATE 04/08/2016

Approved \_\_\_\_\_ X Approved As Noted  
 Rejected \_\_\_\_\_  
 This review is only for general conformance with the design concept and the information given in the Construction Documents. Corrections or comments made on the shop drawings during the review do not relieve the Contractor from compliance with the requirements of the Plans and Specifications. Review of a specific item shall not include review of an assembly of which an item is a component. The Contractor is responsible for dimensions to be confirmed and corrected at the job site; information that pertains solely to the fabrication process or to the means, methods, techniques, sequences and procedures of construction; coordination of the Work with that of other trades and performing all Work in a safe and satisfactory manner.  
 Date: 4/7/2016  
 By: D. Kull

NO.	DATE	REVISIONS	BY
REVISIONS			
		<b>CASCO BAY STEEL STRUCTURES</b> ONE WALLACE AVENUE PHONE: 207-780-8722 SOUTH PORTLAND, ME 04106 FAX: 207-780-8726	
STRUCTURE <u>VT 100 OVER MAD RIVER</u>			
LOCATION <u>TOWN OF WAITSFIELD, VERMONT</u>			
PROJECT NO. <u>PROJECT NO. BRF 013-4(39) BRIDGE NO. 177</u>			
ENGINEER <u>MCFARLAND JOHNSON</u>			
CUSTOMER <u>AL. ST. ONGE CONTRACTOR, INC.</u>			
ITEM <u>GIRDER ~ 9G4B</u>			
SURFACE PREP. <u>SSPC-SP10</u> OPEN HOLES <u>1 1/8"</u>			
PAINT <u>NONE</u>			
APPROVAL	DRAWN <u>VHM</u>	1-28-16	SHEET NO. <u>9B</u>
SHOP	CHECKED <u>FM</u>	3-9-16	JOB NO. <u>651</u>