

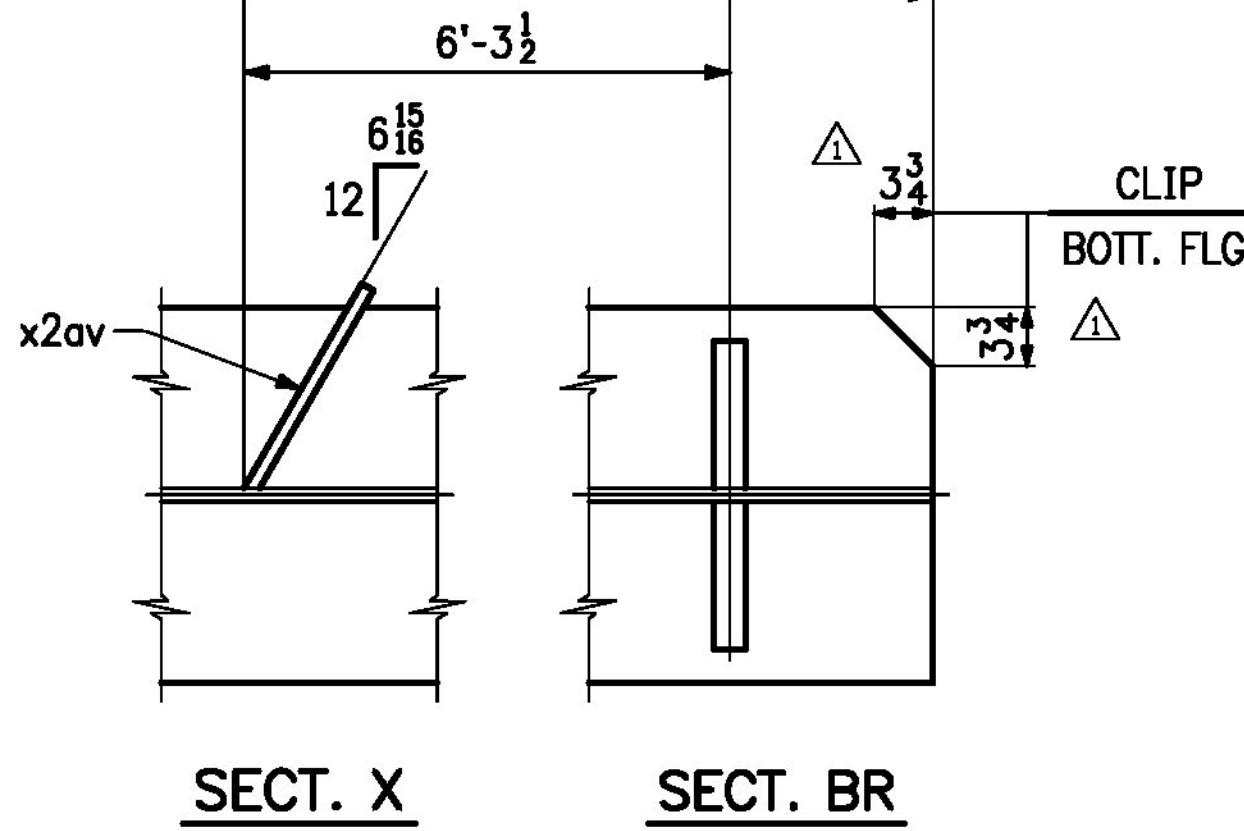
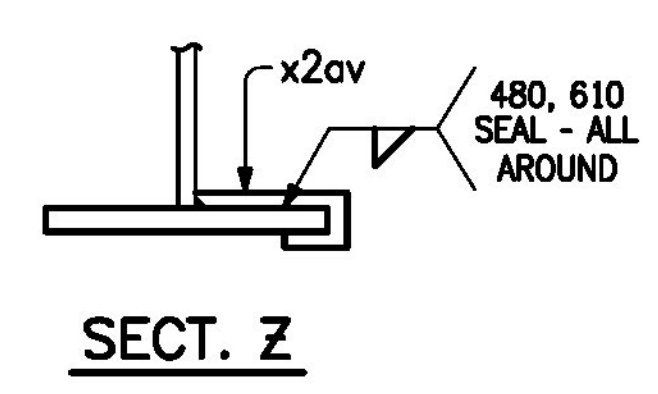
FOR FIELD SPlice DETAIL, SEE X1M1 ON SHT. X1

SEE CAMBER DIAGRAM

SEE CAMBER DIAGRAM

BRG. AREA

- ONE ~ GIRDER ~ 6G1B**
- FOR GIRDER STANDARD DETAILS, SEE SHT. X2.
 - FOR WEB CUTTING DIAGRAM, SEE SHT. C3.
 - FOR FLANGE CUTTING DIAGRAMS, SEE SHT. C3.
 - FOR GENERAL NOTES, SEE SHT. GN1.
 - "BRG. AREA" INDICATES AREA THAT MUST BE FLAT TO PROVIDE A UNIFORM EVEN CONTACT WITH SOLE PLATE.



Vermont Agency of Transportation
RECEIVED
 CK'D BY _____ OK'D BY Rob Young
 April 4, 2016
 RESUBMIT NO Approved As Noted
 BY Rob Young DATE 04/08/2016

Approved _____ X Approved As Noted
 Rejected _____

This review is only for general conformance with the design concept and the information given in the Construction Documents. Corrections or comments made on the shop drawings during the review do not relieve the Contractor from compliance with the requirements of the Plans and Specifications. Review of a specific item shall not include review of an assembly of which an item is a component. The Contractor is responsible for dimensions to be confirmed and corrected at the job site; information that pertains solely to the fabrication process or to the means, methods, techniques, sequences and procedures of construction; coordination of the Work with that of other trades and performing all Work in a safe and satisfactory manner.

Date: 4/7/2016
 By: D. Kull

Mcfarland Johnson

| NO. | DATE | REVISIONS | REMARKS | BY |
|-----|---------|---|---------|-----|
| △ | 3-30-16 | REVISED SECT. BR PER APPROVAL COMMENTS. | | VHM |

| | | | |
|---------------|-------------------------------|---|----------------|
| | | CASCO BAY STEEL STRUCTURES ONE WALLACE AVENUE PHONE: 207-780-6722 SOUTH PORTLAND, ME 04106 FAX: 207-780-6726 | |
| STRUCTURE | VT 100 OVER MAD RIVER | | |
| LOCATION | TOWN OF WAITSFIELD, VERMONT | | |
| PROJECT NO. | PROJECT NO. BRF 013-4(39) | | BRIDGE NO. 177 |
| ENGINEER | MCFARLAND JOHNSON | | |
| CUSTOMER | AL. ST. ONGE CONTRACTOR, INC. | | |
| ITEM | GIRDER ~ 6G1B | | |
| SURFACE PREP. | SSPC-SP10 | OPEN HOLES | 1 1/2" |
| PAINT | NONE | | |
| APPROVAL | DRAWN VHM | 1-28-16 | SHEET NO. 6AB |
| SHOP | CHECKED FM | 3-9-16 | JOB NO. 651 |