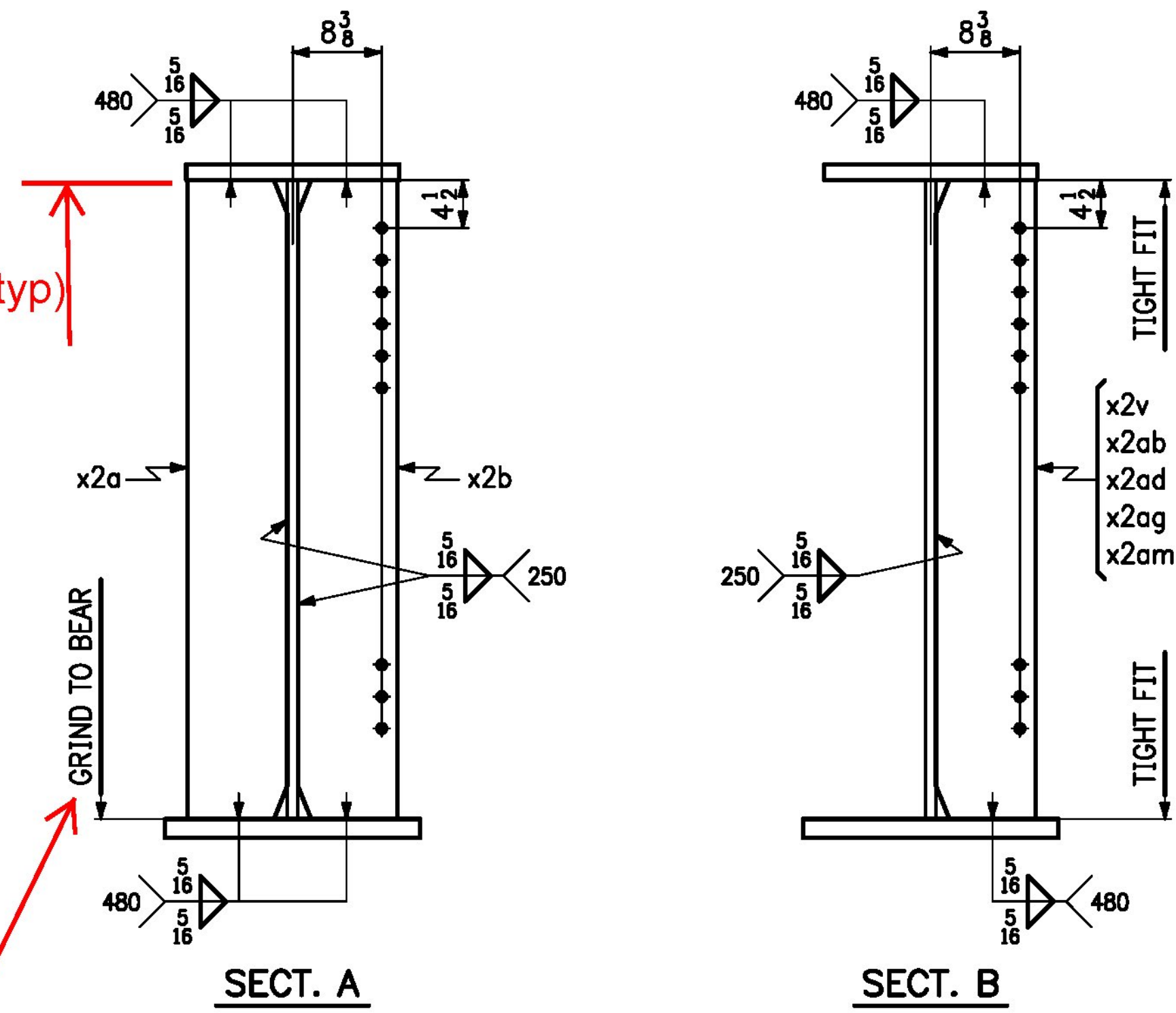
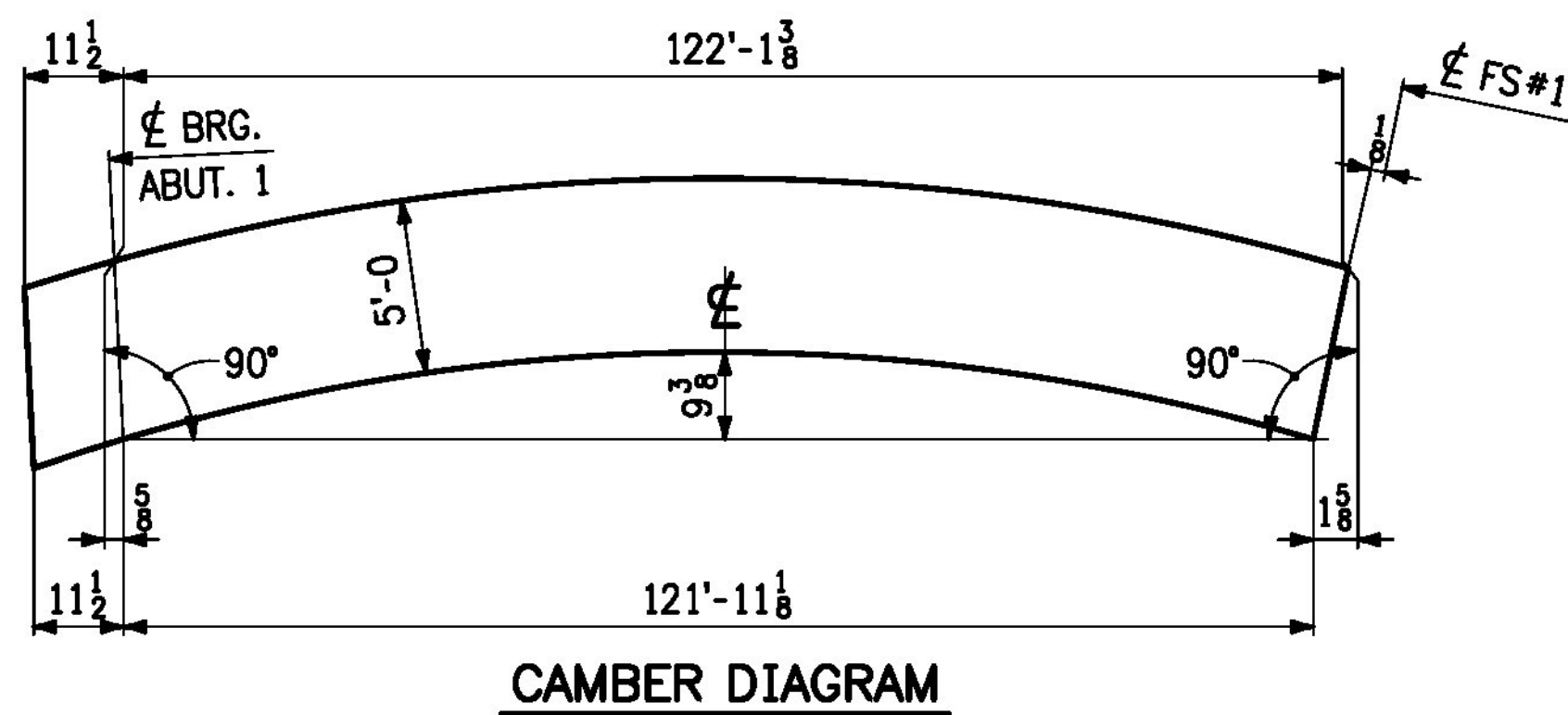


Tight fit (typ)



Typ bottom flange



CAMBER DIAGRAM

Vermont Agency of Transportation  
**RECEIVED**  
 CK'D BY \_\_\_\_\_ OK'D BY Rob Young  
 April 4, 2016  
 RESUBMIT NO \_\_\_\_\_ Approved As Noted  
 BY Rob Young DATE 04/08/2016

Approved \_\_\_\_\_ X Approved As Noted  
 Rejected \_\_\_\_\_  
 This review is only for general conformance with the design concept and the information given in the Construction Documents. Corrections or comments made on the shop drawings during the review do not relieve the Contractor from compliance with the requirements of the Plans and Specifications. Review of a specific item shall not include review of an assembly of which an item is a component. The Contractor is responsible for dimensions to be confirmed and corrected at the job site; information that pertains solely to the fabrication process or to the means, methods, techniques, sequences and procedures of construction; coordination of the Work with that of other trades and performing all Work in a safe and satisfactory manner.  
 MCFarland Johnson  
 Date 4/7/2016  
 By D. Kull

LINE	NO. OF PCS.	SHIP MARK	ASS'Y MARK	MATERIAL					REMARKS	
				SHAPE	SECTION	LENGTH FT.	IN.	MATERIAL SPEC.		ITEM NO.
1	1	5G5A		GIRDER					48,149 lbs.	
2	1		wa	PL	3/4 x 60	43	11 1/8	M270-50WT2	1 12	6735 lbs.
3	1		wb	PL	3/4 x 60	79	1 1/8	M270-50WT2	1 11	12,115 lbs.
4	1		ta	PL	1 1/2 x 20	46	1	M270-50W	1 23	3920 lbs.
5	1		tb	PL	1 1/2 x 20	76	11 1/8	M270-50W	1 21	7859 lbs.
6	1		ba	PL	1 1/2 x 24	45	10 3/4	M270-50WT2	1 19	5622 lbs.
7	1		bb	PL	1 1/2 x 24	76	11 1/8	M270-50WT2	1 17	11,003 lbs.
8										
9	1		x2a	PL	1 x 9 1/2	5	0	M270-50W	4 2	G1E 162 lbs.
10	1		x2b	PL	1 x 9 1/2	5	0	M270-50W	4 2	G1E 162 lbs.
11	1		x2v	PL	1/2 x 9 1/2	5	0	M270-50W	4 3	81 lbs.
12	1		x2ab	PL	1/2 x 9 1/2	5	0	M270-50W	4 3	81 lbs.
13	1		x2ad	PL	1/2 x 9 1/2	5	0	M270-50W	4 3	81 lbs.
14	1		x2ag	PL	1/2 x 9 1/2	5	0	M270-50W	4 3	81 lbs.
15	3		x2am	PL	1/2 x 9 1/2	5	0	M270-50W	4 3	243 lbs.
16	1		x2ap	PL	1/4 x 3 1/2	1	3 1/8	M270-50W	4 4	4 lbs.
17										
18										
19										
20										
21										
22										
23										
24										
25										

NO.	DATE	REMARKS	BY
REVISIONS			
		<b>CASCO BAY STEEL STRUCTURES</b> ONE WALLACE AVENUE PHONE: 207-780-6722 SOUTH PORTLAND, ME 04106 FAX: 207-780-6726	
STRUCTURE <u>VT 100 OVER MAD RIVER</u>			
LOCATION <u>TOWN OF WAITSFIELD, VERMONT</u>			
PROJECT NO. <u>PROJECT NO. BRP 013-4(39)</u> BRIDGE NO. <u>177</u>			
ENGINEER <u>MCFARLAND JOHNSON</u>			
CUSTOMER <u>AL. ST. ONGE CONTRACTOR, INC.</u>			
ITEM <u>GIRDER ~ 5G5A</u>			
SURFACE PREP. <u>SSPC-SP10</u> OPEN HOLES <u>1 1/2"</u>			
PAINT <u>NONE</u>			
APPROVAL	DRAWN <u>VHM</u>	1-27-16	SHEET NO. <u>5B</u>
SHOP	CHECKED <u>FM</u>	3-9-16	JOB NO. <u>651</u>