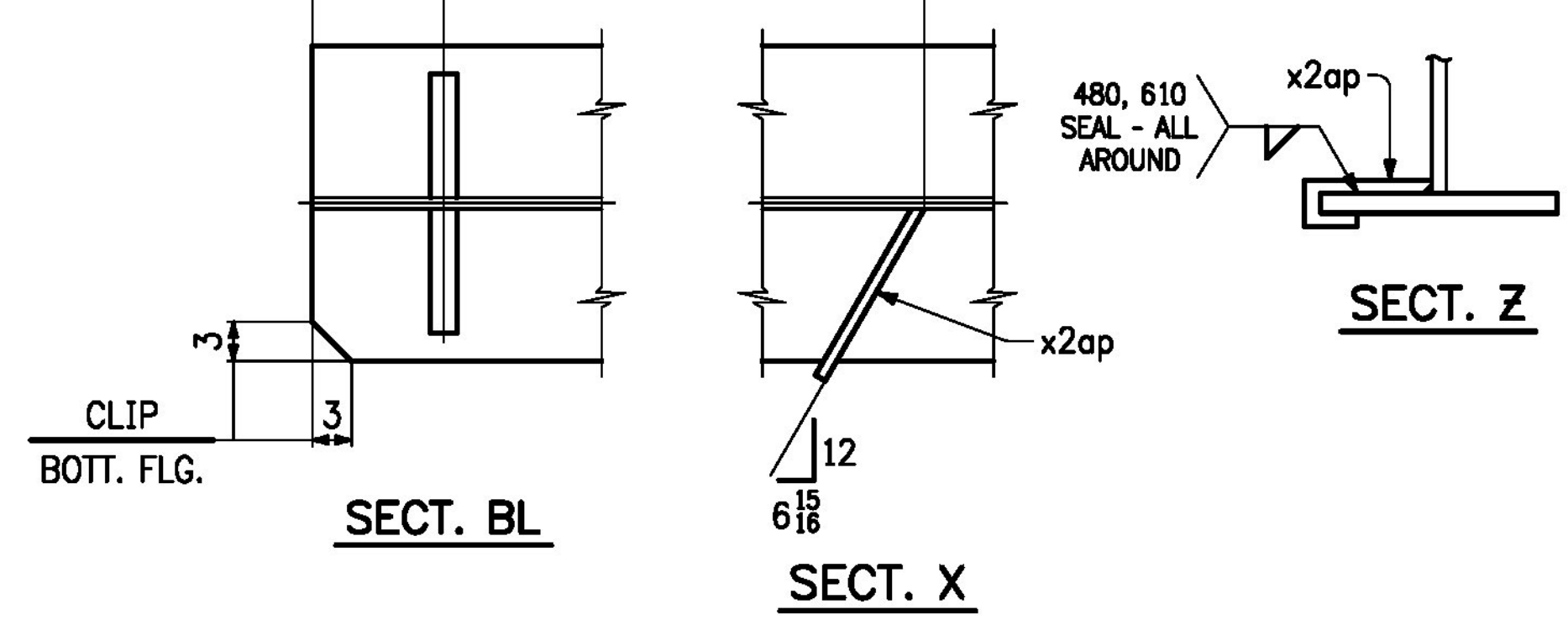


ONE ~ GIRDER ~ 5G5A

- FOR GIRDER STANDARD DETAILS, SEE SHIT. X2.
- FOR WEB CUTTING DIAGRAM, SEE SHIT. C1.
- FOR FLANGE CUTTING DIAGRAMS, SEE SHIT. C1.
- FOR GENERAL NOTES, SEE SHIT. GN1.
- "BRG. AREA" INDICATES AREA THAT MUST BE FLAT TO PROVIDE A UNIFORM EVEN CONTACT WITH SOLE PLATE.



Vermont Agency of Transportation
RECEIVED
 CK'D BY _____ OK'D BY Rob Young
 April 4, 2016
 RESUBMIT NO _____ Approved As Noted
 BY Rob Young DATE 04/08/2016

Approved _____ X Approved As Noted _____
 Rejected _____
 This review is only for general conformance with the design concept and the information given in the Construction Documents. Corrections or comments made on the shop drawings during the review do not relieve the Contractor from compliance with the requirements of the Plans and Specifications. Review of a specific item shall not include review of an assembly of which an item is a component. The Contractor is responsible for dimensions to be confirmed and corrected at the job site; information that pertains solely to the fabrication process or to the means, methods, techniques, sequences and procedures of construction; coordination of the Work with that of other trades and performing all Work in a safe and satisfactory manner.
 Date: 4/7/2016
 By: D. Kull
 McFarland Johnson

NO.	DATE	REMARKS	BY
REVISIONS			
		CASCO BAY STEEL STRUCTURES ONE WALLACE AVENUE SOUTH PORTLAND, ME 04106 PHONE: 207-780-6722 FAX: 207-780-6726	
STRUCTURE <u>VT 100 OVER MAD RIVER</u>			
LOCATION <u>TOWN OF WAITSFIELD, VERMONT</u>			
PROJECT NO. <u>PROJECT NO. BRP 013-4(39) BRIDGE NO. 177</u>			
ENGINEER <u>MC FARLAND JOHNSON</u>			
CUSTOMER <u>A.L. ST. ONGE CONTRACTOR, INC.</u>			
ITEM <u>GIRDER ~ 5G5A</u>			
SURFACE PREP. <u>SSPC-SP10</u> OPEN HOLES <u>1 1/8"</u>			
PAINT <u>NONE</u>			
APPROVAL	DRAWN <u>VHM</u>	1-27-16	SHEET NO. <u>5AB</u>
SHOP	CHECKED <u>FM</u>	3-9-16	JOB NO. <u>651</u>

Sheet 05A8 - Project: 03/14/2016 @ 09:44 (HEATHER)