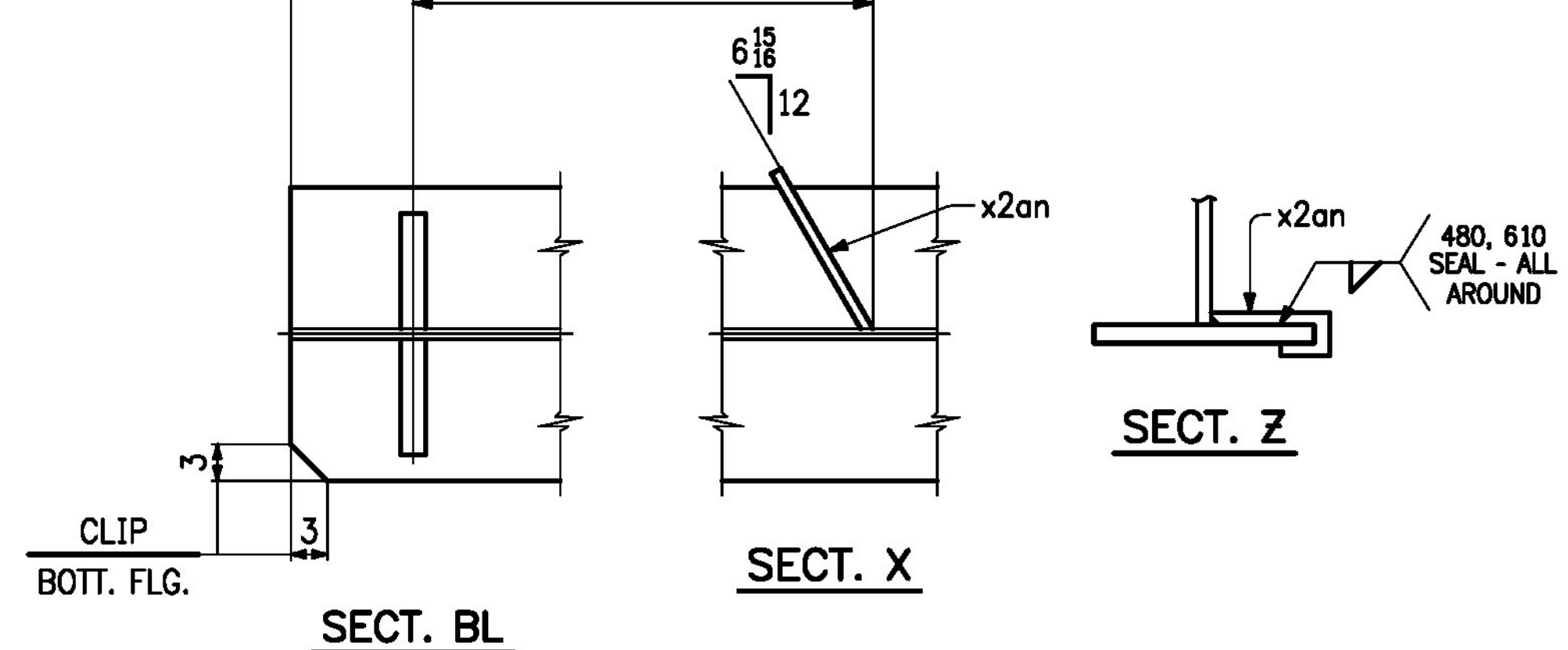


FOR FIELD SPlice DETAIL,  
SEE X1M1 ON SHIT. X1

SEE CAMBER  
DIAGRAM

**ONE ~ GIRDER ~ 1G1A**

- FOR GIRDER STANDARD DETAILS, SEE SHIT. X2.
- FOR WEB CUTTING DIAGRAM, SEE SHIT. C1.
- FOR FLANGE CUTTING DIAGRAMS, SEE SHIT. C1.
- FOR GENERAL NOTES, SEE SHIT. GN1.
- "BRG. AREA" INDICATES AREA THAT MUST BE FLAT TO PROVIDE A UNIFORM EVEN CONTACT WITH SOLE PLATE.



Vermont Agency of Transportation  
**RECEIVED**  
CK'D BY \_\_\_\_\_ OK'D BY Rob Young  
April 4, 2016  
RESUBMIT NO Approved AsNoted  
BY Rob Young DATE 04/08/2016

Approved \_\_\_\_\_ X Approved As Noted \_\_\_\_\_  
Rejected \_\_\_\_\_  
This review is only for general conformance with the design concept and the information given in the Construction Documents. Corrections or comments made on the shop drawings during the review do not relieve the Contractor from compliance with the requirements of the Plans and Specifications. Review of a specific item shall not include review of an assembly of which an item is a component. The Contractor is responsible for dimensions to be confirmed and corrected at the job site; information that pertains solely to the fabrication process or to the means, methods, techniques, sequences and procedures of construction; coordination of the Work with that of other trades and performing all Work in a safe and satisfactory manner.  
Date 4/7/2016  
McFarland Johnson  
By: D. Kull

NO.	DATE	REMARKS	BY
REVISIONS			
		<b>CASCO BAY STEEL STRUCTURES</b> ONE WALLACE AVENUE PHONE: 207-780-6722 SOUTH PORTLAND, ME 04106 FAX: 207-780-6726	
STRUCTURE		VT 100 OVER MAD RIVER	
LOCATION		TOWN OF WAITSFIELD, VERMONT	
PROJECT NO.		PROJECT NO. BRP 013-4(39) BRIDGE NO. 177	
ENGINEER		MCFARLAND JOHNSON	
CUSTOMER		A.L. ST. ONGE CONTRACTOR, INC.	
ITEM		GIRDER ~ 1G1A	
SURFACE PREP.		SSPC-SP10 OPEN HOLES 1 1/8"	
PAINT		NONE	
APPROVAL	DRAWN VHM	1-27-16	SHEET NO. 1AB
SHOP	CHECKED FM	3-8-16	JOB NO. 651

Sheet 01A - Printed: 03/14/2016 @ 09:42 (HEATHER)