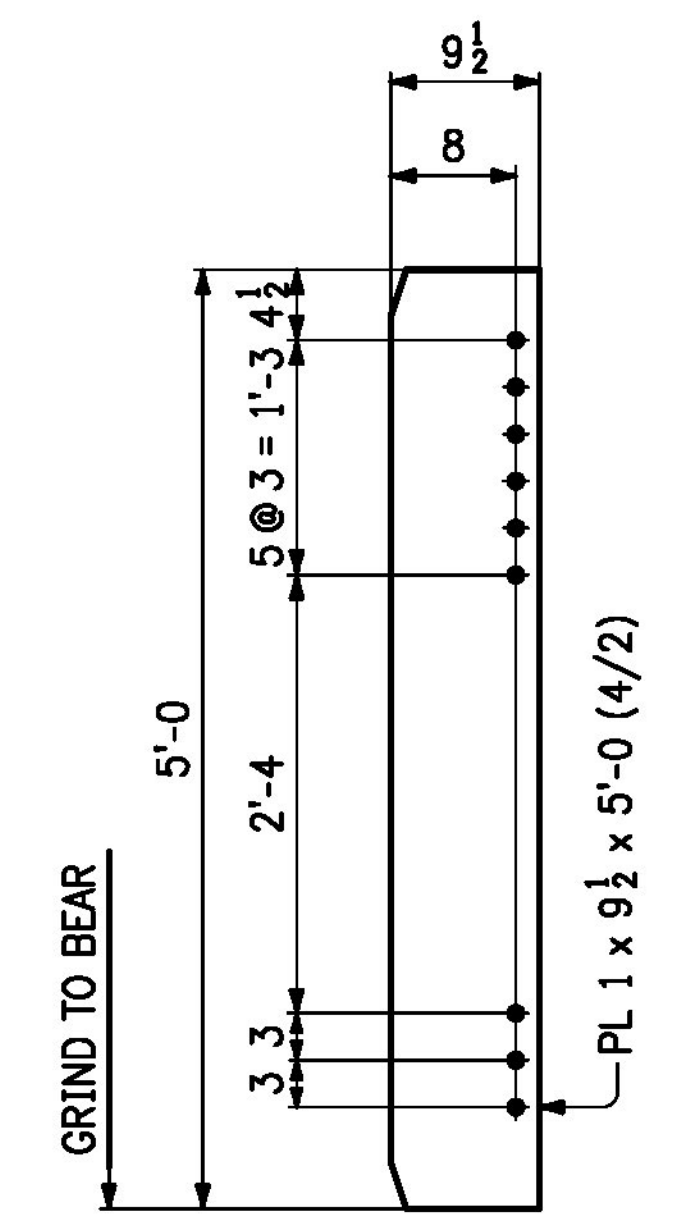
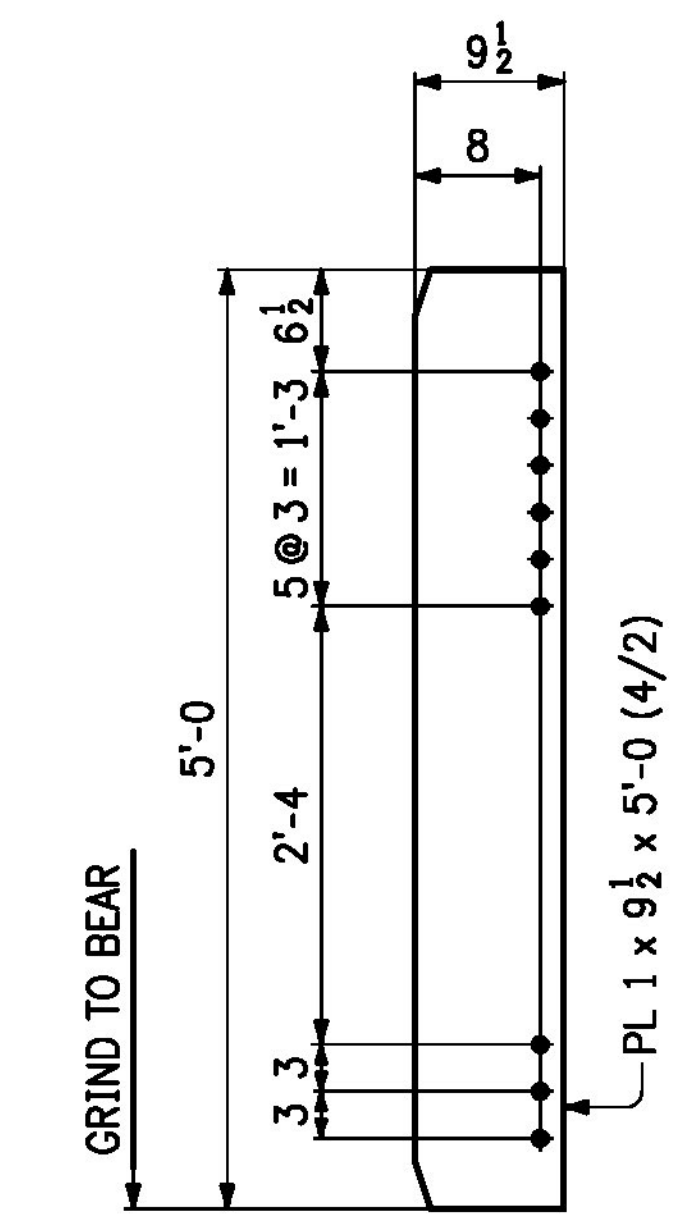


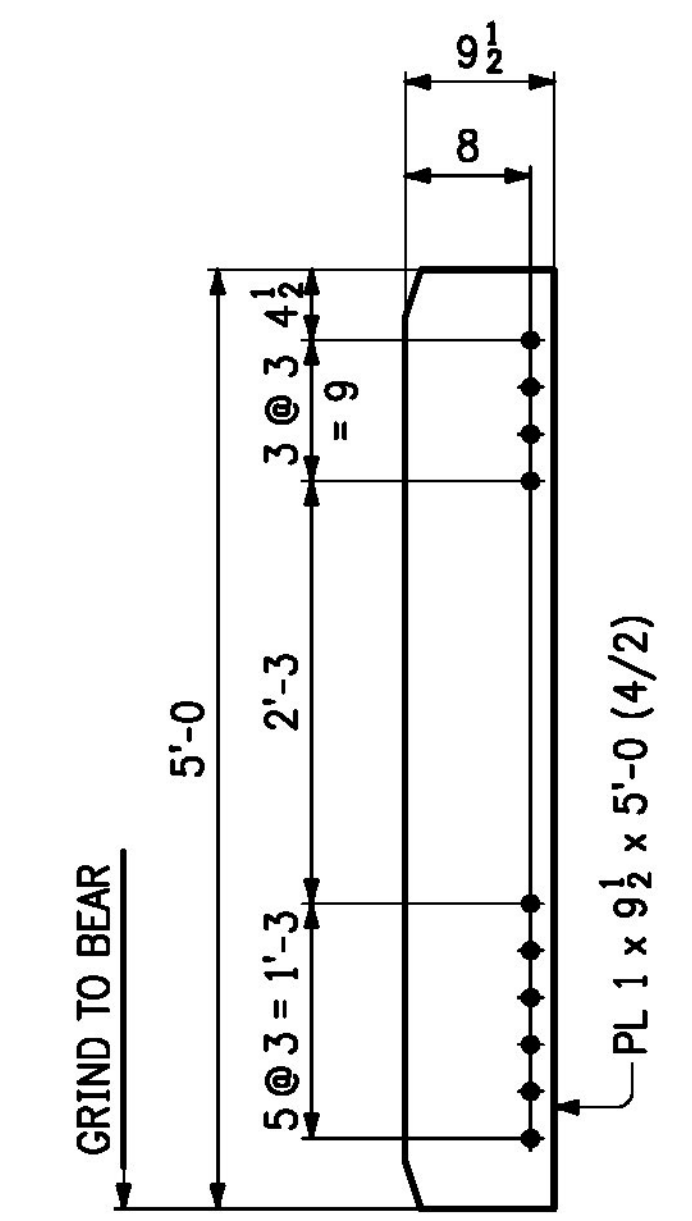
DET. OF PC. ~ x2a
(4 ~ REQ'D)
(@ ABUT. 1 & 2 - FASCIA)



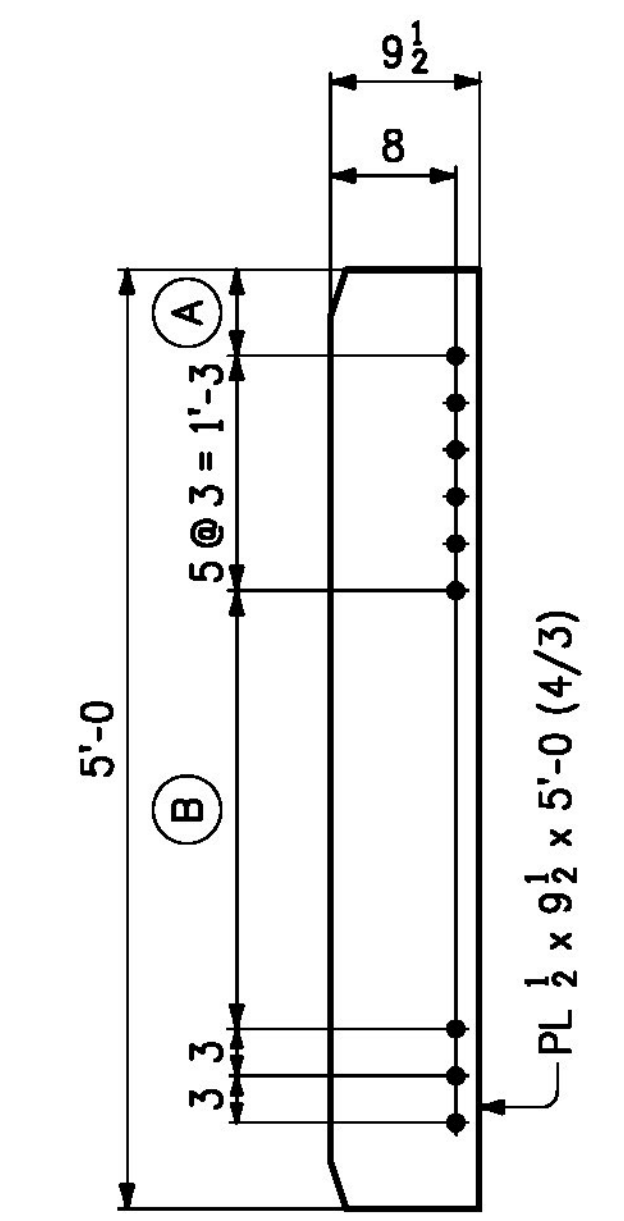
DET. OF PC. ~ x2b
(4 ~ REQ'D)
(@ ABUT. 1 - CONN. PL)
(LOW)



DET. OF PC. ~ x2c
(4 ~ REQ'D)
(@ ABUT. 1 - CONN. PL)
(HIGH)



DET. OF PC. ~ x2d
(8 ~ REQ'D)
(@ ABUT. 2 - CONN. PL)



Approved _____ X Approved As Noted _____
Rejected _____

This review is only for general conformance with the design concept and the information given in the Construction Documents. Corrections or comments made on the shop drawings during the review do not relieve the Contractor from compliance with the requirements of the Plans and Specifications. Review of a specific item shall not include review of an assembly of which an item is a component. The Contractor is responsible for dimensions to be confirmed or corrected at the job site; information that pertains solely to the fabrication process or to the means, methods, techniques, sequences and procedures of construction; coordination of the Work with that of other trades and performing all Work in a safe and satisfactory manner.

Date: 4/7/2016
By: D. Kull

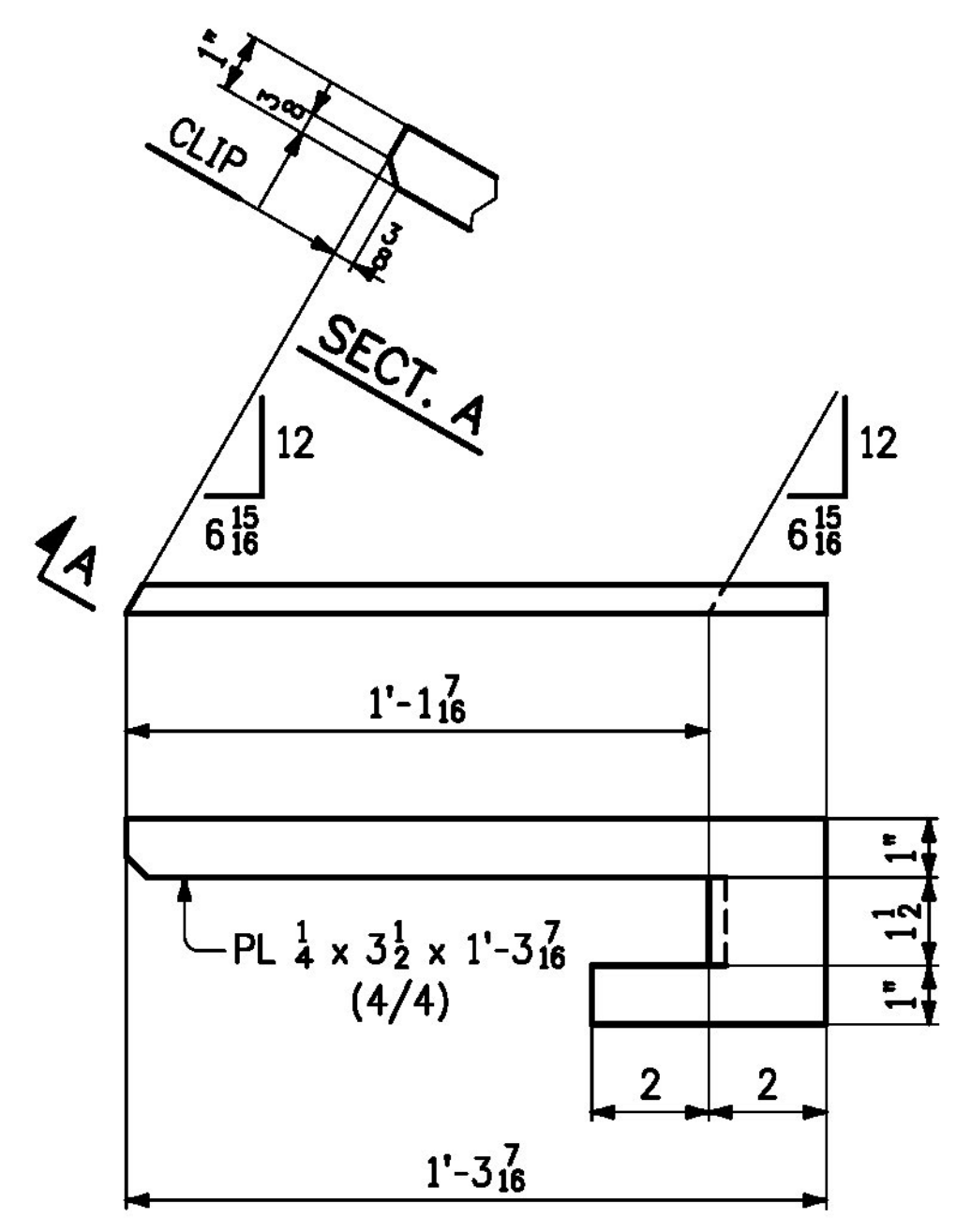
Vermont Agency of Transportation
RECEIVED
CK'D BY _____ OK'D BY Rob Young
April 4, 2016
RESUBMIT NO Approved AsNoted
BY Rob Young DATE 04/08/2016

(@ INT. - CONN. PL)

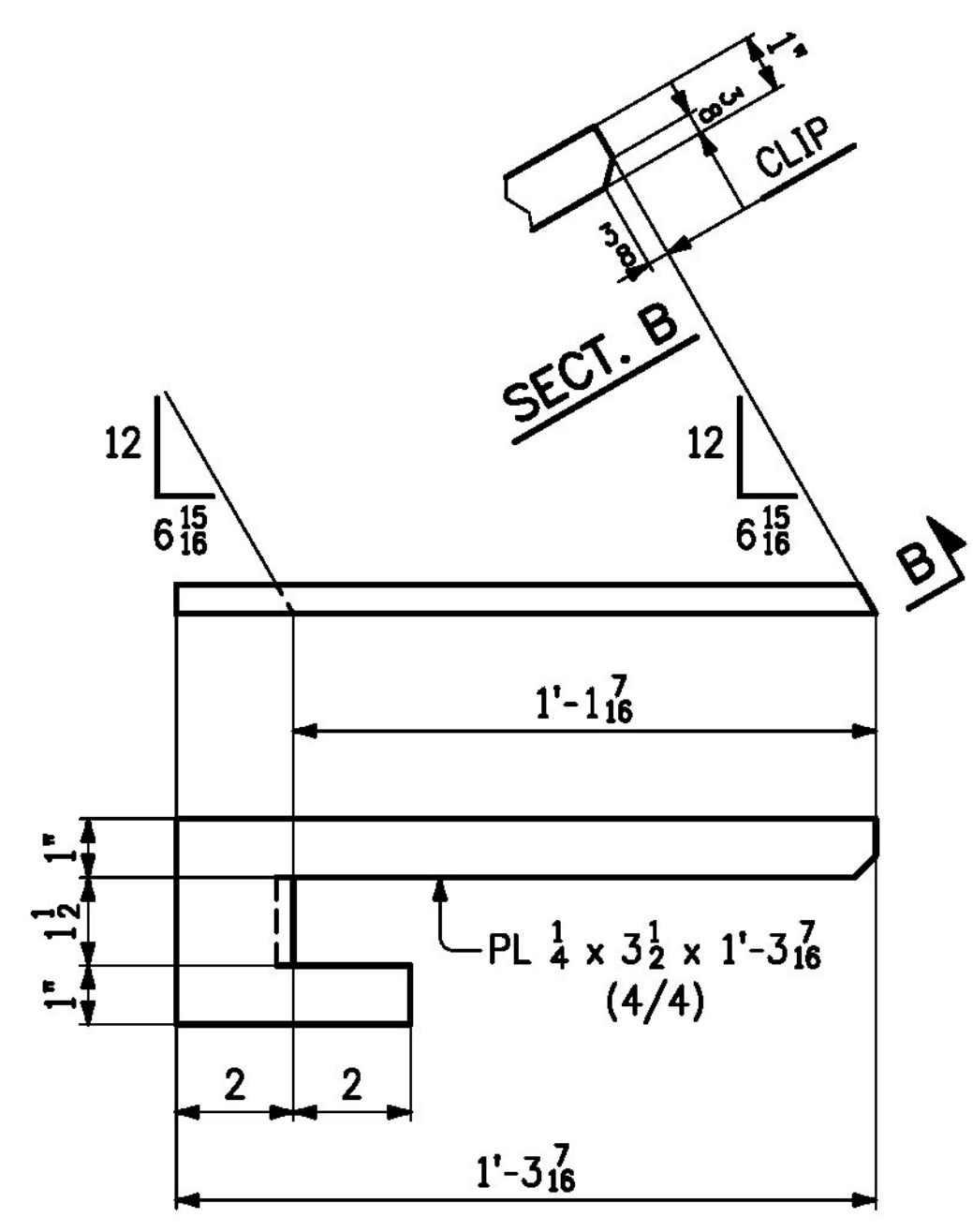
MARK	No. REQ'D	(A)	(B)	DROP
x2f	2	5 3/16	2'-5 5/16	(1 1/8 HIGH)
x2g	2	4 1/2	2'-5 5/16	(1 1/8 LOW)
x2k	4	5 3/8	2'-5 1/8	(1 3/8 HIGH)
x2m	4	4 1/2	2'-5 1/8	(1 3/8 LOW)
x2n	4	5 5/8	2'-4 7/8	(1 1/8 HIGH)
x2p	4	4 1/2	2'-4 7/8	(1 1/8 LOW)
x2t	4	6	2'-4 1/2	(1 1/2 HIGH)
x2v	4	4 1/2	2'-4 1/2	(1 1/2 LOW)
x2w	2	6 5/16	2'-4 3/16	(1 1/8 HIGH)

(@ INT. - CONN. PL)

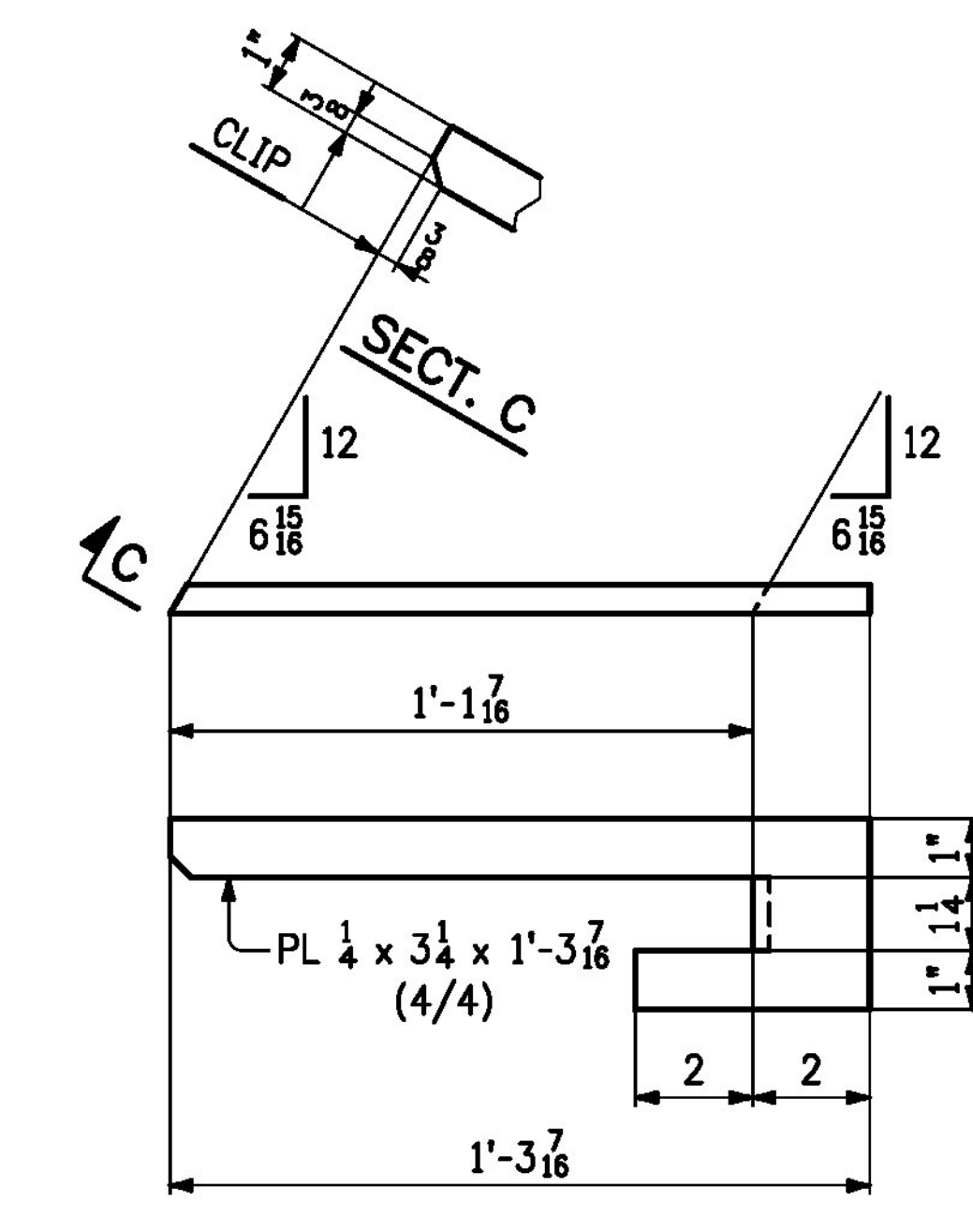
MARK	No. REQ'D	(A)	(B)	DROP
x2y	2	4 1/2	2'-4 3/16	(1 1/8 LOW)
x2aa	4	6 9/16	2'-3 15/16	(2 1/8 HIGH)
x2ab	4	4 1/2	2'-3 15/16	(2 1/8 LOW)
x2ac	4	6 7/8	2'-3 5/8	(2 3/8 HIGH)
x2ad	4	4 1/2	2'-3 5/8	(2 3/8 LOW)
x2af	4	7 1/8	2'-3 3/8	(2 3/8 HIGH)
x2ag	4	4 1/2	2'-3 3/8	(2 3/8 LOW)
x2ak	8	7 3/8	2'-3 1/8	(2 3/8 HIGH)
x2am	8	4 1/2	2'-3 1/8	(2 3/8 LOW)



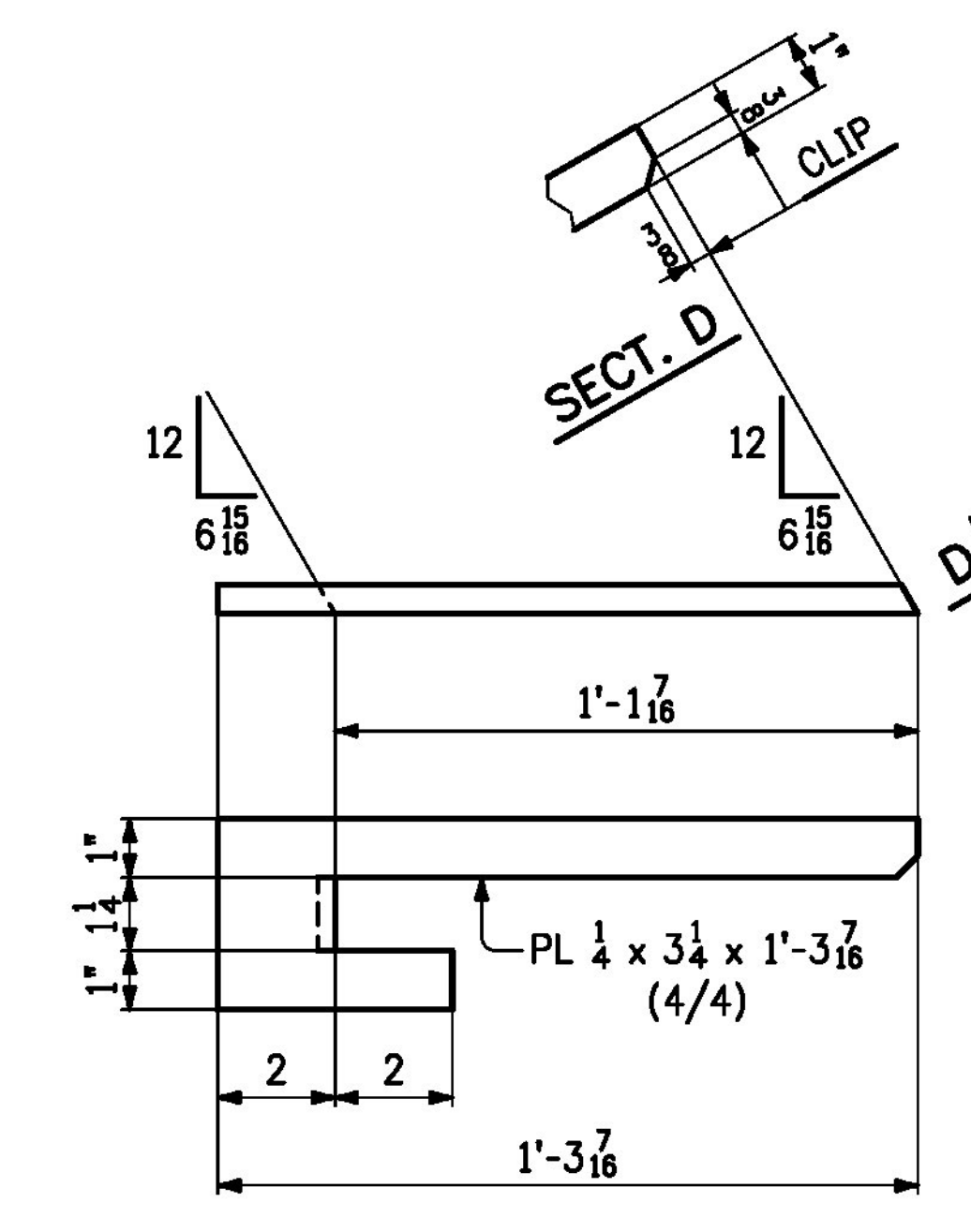
DRIP BAR ~ x2an
(1 ~ REQ'D)
(@ ABUT. 1 - LINE 1)



DRIP BAR ~ x2ap
(1 ~ REQ'D)
(@ ABUT. 1 - LINE 5)



DRIP BAR ~ x2at
(1 ~ REQ'D)
(@ ABUT. 2 - LINE 5)



DRIP BAR ~ x2av
(1 ~ REQ'D)
(@ ABUT. 2 - LINE 1)

NOTES:

- FOR GENERAL NOTES, SEE SHT. GN1.
- MATERIAL TO BE M270-50W.

NO.	DATE	REMARKS	BY
REVISIONS			
		CASCO BAY STEEL STRUCTURES ONE WALLACE AVENUE PHONE: 207-780-6722 SOUTH PORTLAND, ME 04106 FAX: 207-780-6726	
STRUCTURE <u>VT 100 OVER MAD RIVER</u>			
LOCATION <u>TOWN OF WAITSFIELD, VERMONT</u>			
PROJECT NO. <u>PROJECT NO. BRP 013-4(39) BRIDGE NO. 177</u>			
ENGINEER <u>MCFARLAND JOHNSON</u>			
CUSTOMER <u>AL. ST. ONGE CONTRACTOR, INC.</u>			
ITEM <u>GIRDER STANDARDS</u>			
SURFACE PREP. _____ OPEN HOLES <u>1 1/8"</u>			
PAINT _____			
APPROVAL _____	DRAWN <u>VHM</u>	1-26-16	SHEET NO. <u>X2</u>
SHOP _____	CHECKED <u>FM</u>	3-8-16	JOB NO. <u>651</u>