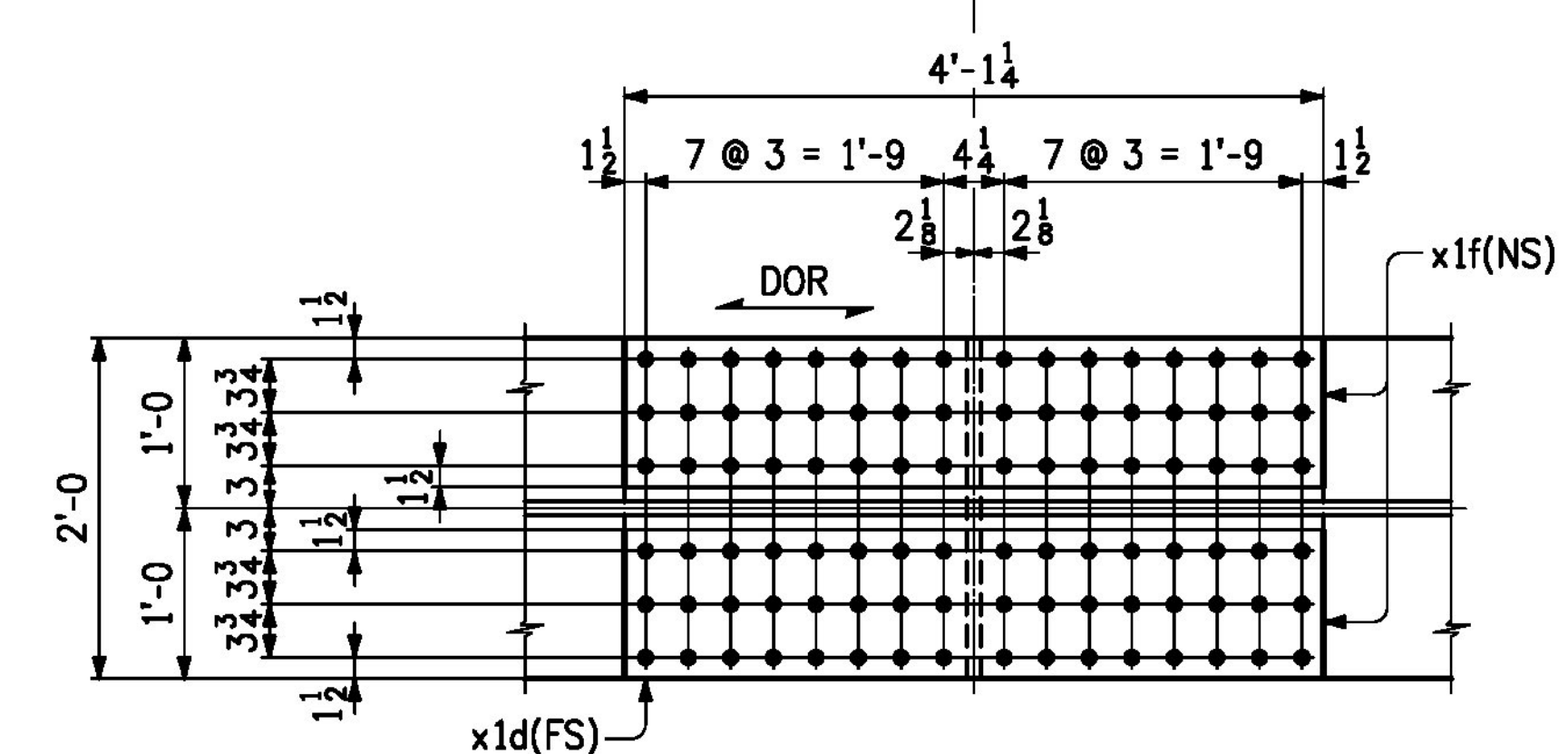
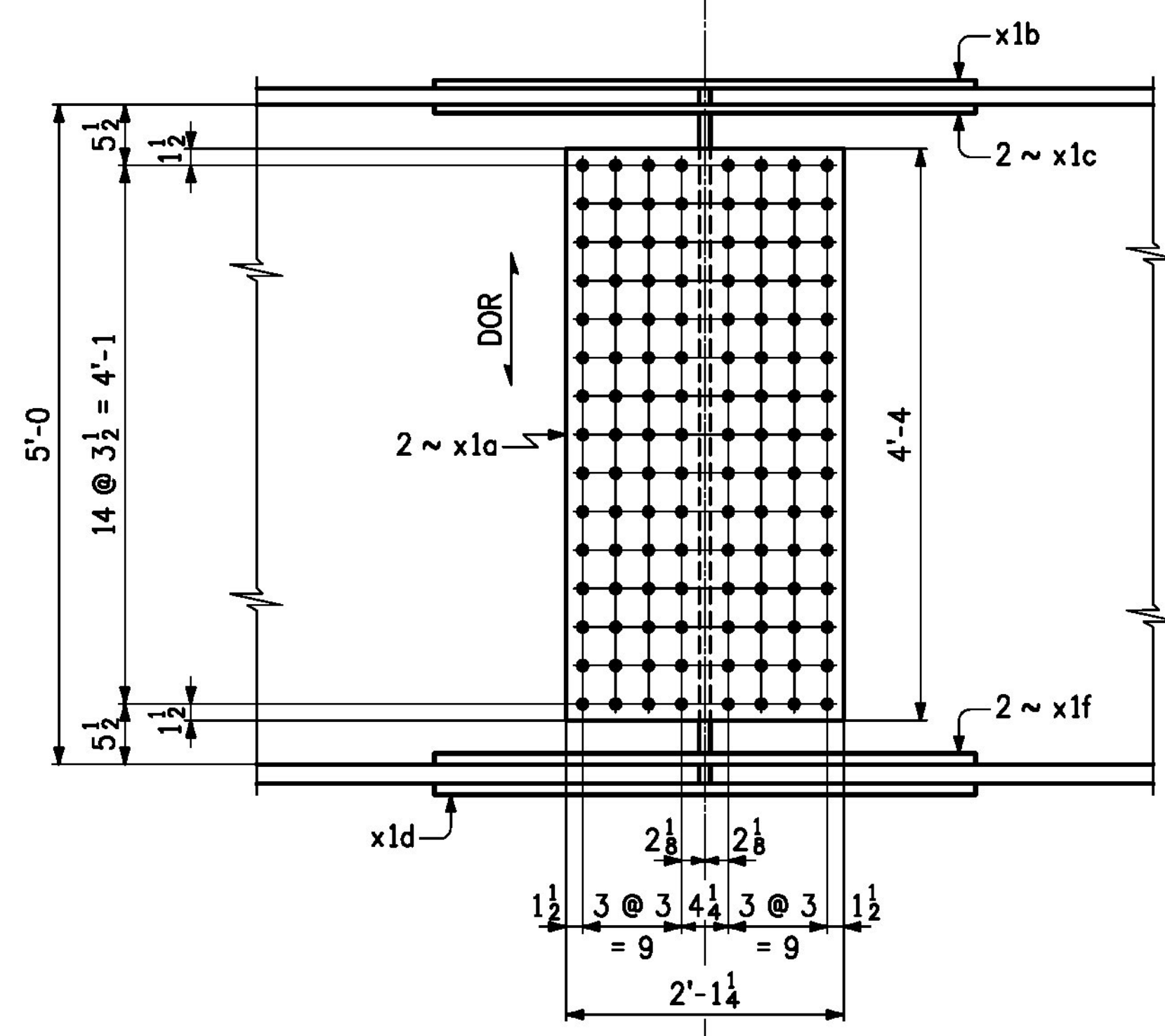


FS (1/4" MAX. OPENING)
(TYP. @ FLGS. & WEB)



5 ~ FIELD SPLICE ~ X1M1

LINE	NO. OF PCS.	SHIP MARK	ASS'Y MARK	MATERIAL					REMARKS	
				SHAPE	SECTION	LENGTH FT.	IN.	MATERIAL SPEC.		ITEM NO.
1	5	X1M1		PL	FIELD SPLICE					1392 lbs. ea.
2	10		x1a	PL	1/2 x 25 1/4	4	4	M270-50WT2	3/2	372 lbs.
3	5		x1b	PL	3/4 x 20	4	1 1/4	M270-50WT2	3/4	209 lbs.
4	10		x1c	PL	3/4 x 8 3/4	4	1 1/4	M270-50WT2	3/6	183 lbs.
5	5		x1d	PL	1 x 24	4	1 1/4	M270-50WT2	3/8	335 lbs.
6	10		x1f	PL	1 x 10 1/2	4	1 1/4	M270-50WT2	3/10	293 lbs.
7										
8										
9										
10										
11										
12										
13										
14										
15										
16										
17										
18										
19										
20										
21										
22										
23										
24										
25										

Vermont Agency of Transportation
RECEIVED
CK'D BY _____ OK'D BY Rob Young
April 4, 2016
RESUBMIT NO _____ Approved AsNoted
BY Rob Young DATE 04/08/2016

Approved _____ X Approved As Noted _____
Rejected _____

This review is only for general conformance with the design concept and the information given in the Construction Documents. Corrections or comments made on the shop drawings during the review do not relieve the Contractor from compliance with the requirements of the Plans and Specifications. Review of a specific item shall not include review of an assembly of which an item is a component. The Contractor is responsible for dimensions to be confirmed and corrected at the job site; information that pertains solely to the fabrication process or to the means, methods, techniques, sequences and procedures of construction; coordination of the Work with that of other trades and performing all Work in a safe and satisfactory manner.

McFarland Johnson
Date 4/7/2016
By D. Kull

- NOTES:**
- FOR GENERAL NOTES, SEE SH. GN1.
 - HOLES IN SPLICE PLATES ARE PRE-DRILLED. ENDS OF GIRDERS ARE DRILLED FROM SOLID USING SPLICE PLATES AS A TEMPLATE.
 - DOR DENOTES DIRECTION OF MILL ROLLING.

NO.	DATE	REMARKS	BY
REVISIONS			
		CASCO BAY STEEL STRUCTURES ONE WALLACE AVENUE PHONE: 207-780-8722 SOUTH PORTLAND, ME 04106 FAX: 207-780-8726	
STRUCTURE <u>VT 100 OVER MAD RIVER</u>			
LOCATION <u>TOWN OF WAITSFIELD, VERMONT</u>			
PROJECT NO. <u>PROJECT NO. BRF 013-4(39) BRIDGE NO. 177</u>			
ENGINEER <u>McFARLAND JOHNSON</u>			
CUSTOMER <u>AL. ST. ONGE CONTRACTOR, INC.</u>			
ITEM <u>FIELD SPLICE DETAILS</u>			
SURFACE PREP. <u>SSPC-SP10</u> OPEN HOLES <u>1 1/8"</u>			
PAINT <u>NONE</u>			
APPROVAL	DRAWN <u>VHM</u>	1-26-16	SHEET NO. <u>X1</u>
SHOP	CHECKED <u>FM</u>	3-8-16	JOB NO. <u>651</u>