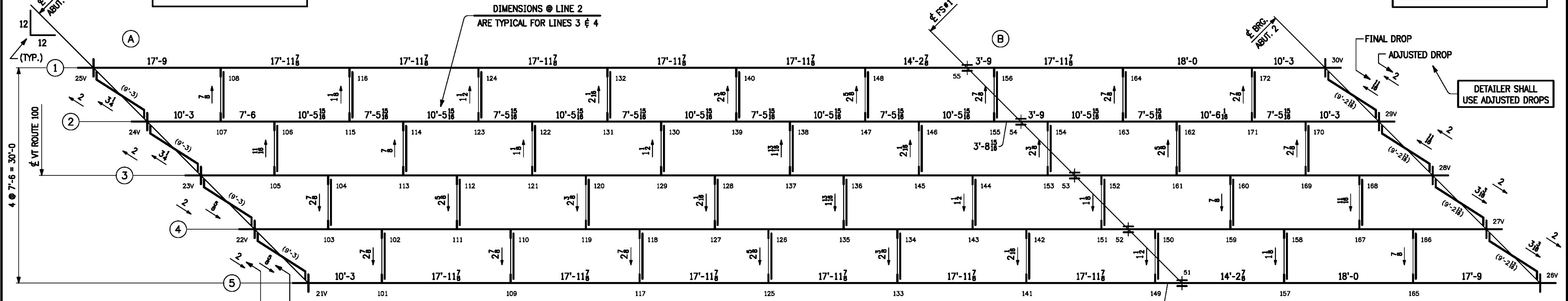


ERECTOR NOTE:
END DPH MUST BE ERECTED PRIOR TO ERECTING ADJACENT GIRDER.

ERECTOR NOTE:
END DPH MUST BE ERECTED PRIOR TO ERECTING ADJACENT GIRDER.



DETAILER SHALL USE ADJUSTED DROPS

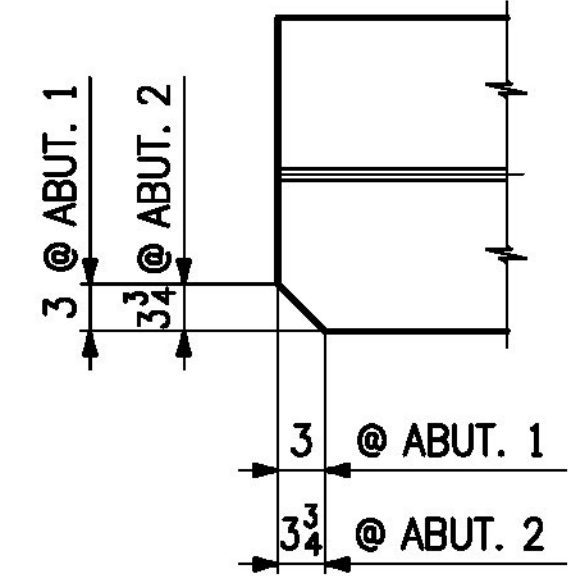
DETAILER SHALL USE ADJUSTED DROPS

Vermont Agency of Transportation
RECEIVED
CK'D BY _____ OK'D BY Rob Young
April 4, 2016
RESUBMIT NO Approved AsNoted
BY Rob Young DATE 04/08/2016

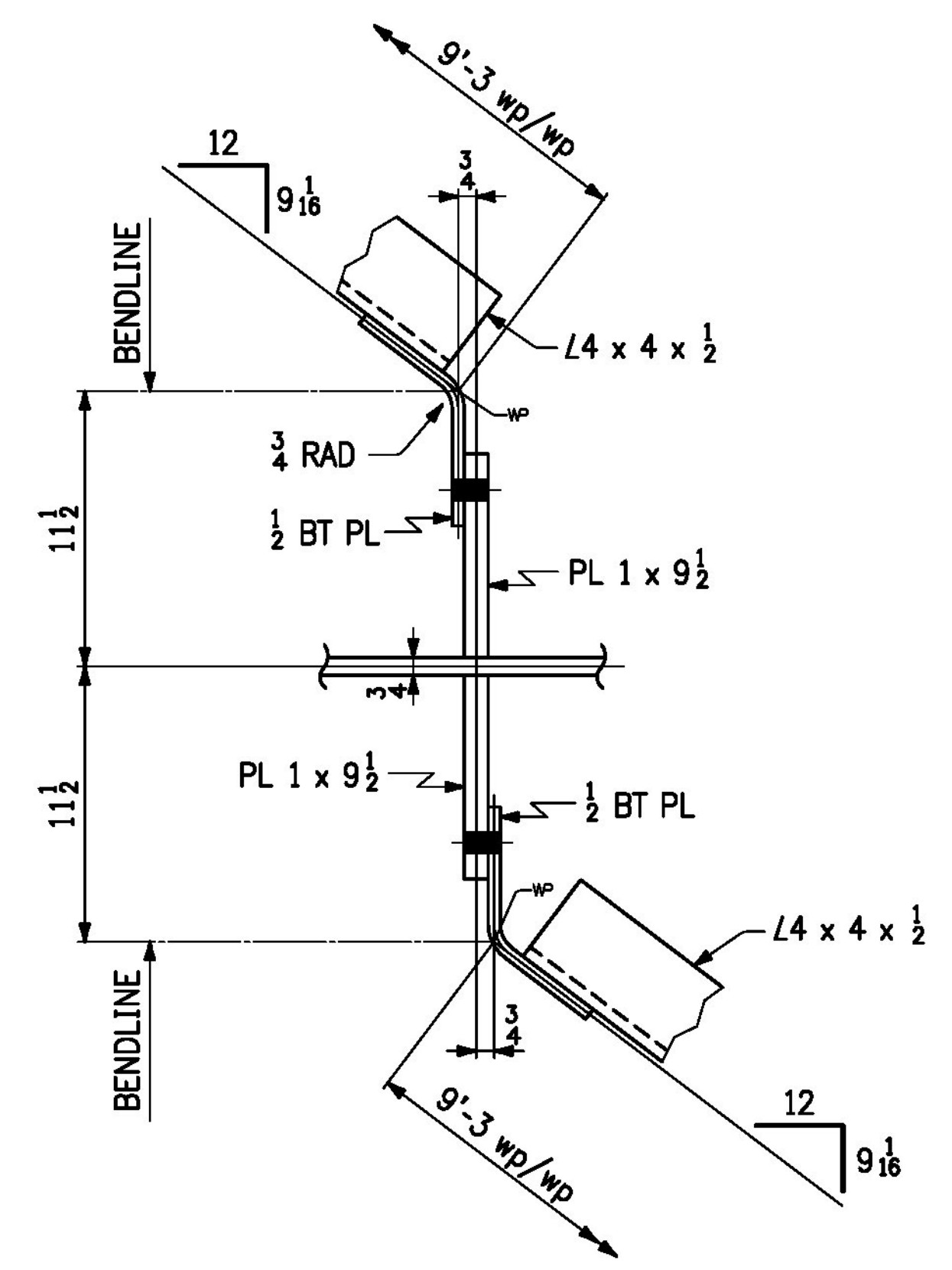
- NOTES:**
- LONGITUDINAL DIMS. ARE SLOPING ALONG BOTTOM OF GIRDER IN CAMBERED POSITION.
 - TRANSVERSE DIMS. ARE HORIZONTAL.
 - DENOTES DROP (ERECTED). ARROW POINTS TO LOW END.
 - ALL BEARING STIFFENERS, ENDS OF GIRDERS ARE VERTICAL IN FINAL POSITION.
 - INTERMEDIATE CONNECTION PLATES ARE NORMAL TO BOTTOM FLANGE.
 - FOR LAYOUTS SEE DWG. TD1 & TD2.

Approved _____ Rejected _____
X Approved As Noted _____
This review is only for general conformance with the design concept and the information given in the Construction Documents. Corrections or comments made on the shop drawings during the review do not relieve the Contractor from compliance with the requirements of the Plans and Specifications. Review of a specific item shall not include review of an assembly of which an item is a component. The Contractor is responsible for dimensions to be confirmed and corrected at the job site; information that pertains solely to the fabrication process or to the means, methods, techniques, sequences and procedures of constructing, coordination of the Work with that of other trades and performing all Work in a safe and satisfactory manner.
Date: 4/7/2016
By: D. Kull
McFarland Johnson

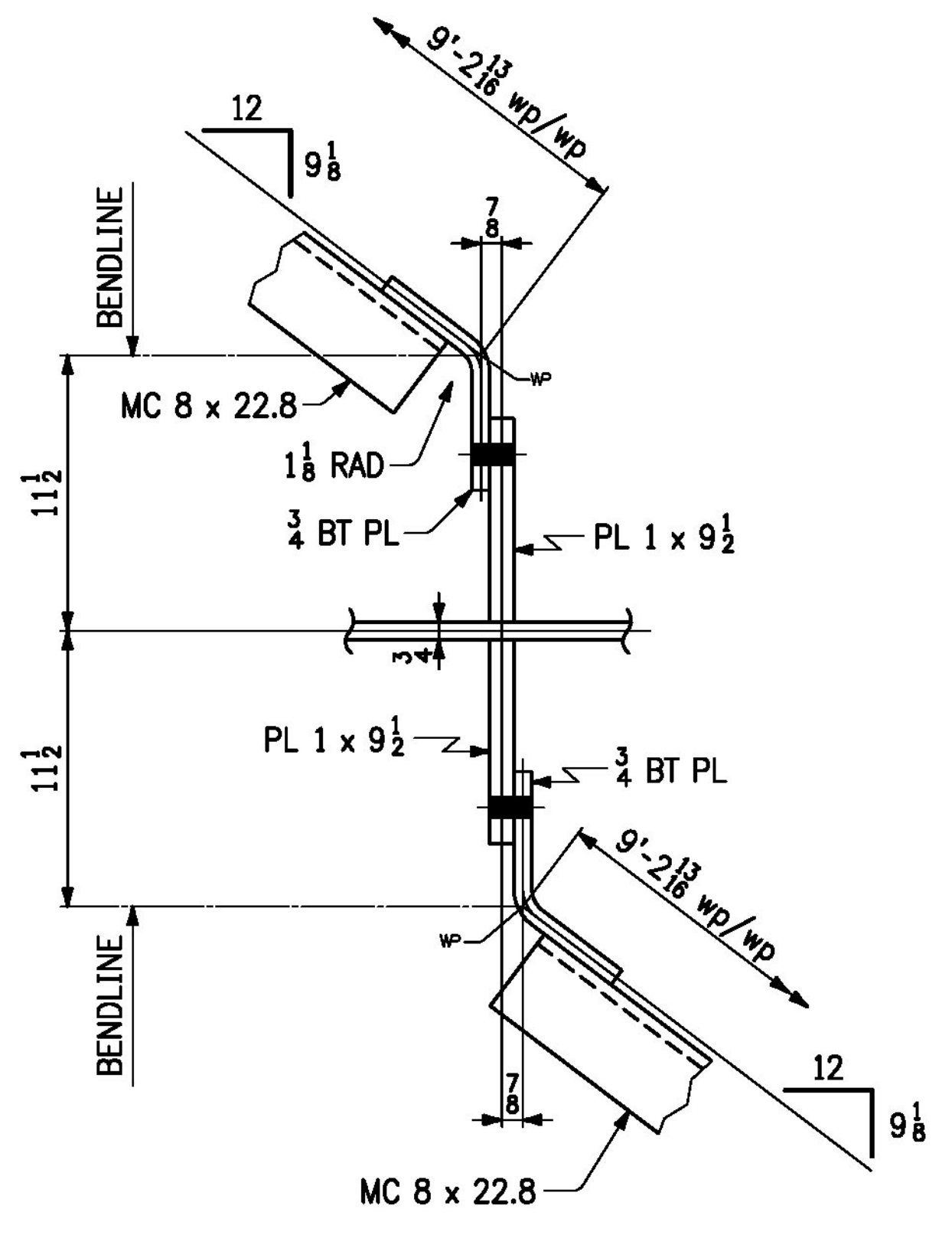
CLIP TOP FLANGE
(ABUT. 1 SHOWN)
(ABUT. 2 ROTATE 180°)



CLIP BOTTOM FLANGE
(ABUT. 1 SHOWN)
(ABUT. 2 ROTATE 180°)



BENDLINE SCHEMATIC
@ ABUT. 1



BENDLINE SCHEMATIC
@ ABUT. 2

THIS IS A WORK DRAWING. ITS FUNCTION IS TO PROVIDE BASIC DIMENSIONS AND CONCEPTS FOR USE IN THE PREPARATION OF THE SHOP DETAILS. IT IS NOT INTENDED TO BE USED FOR ERECTION OR FABRICATION.

NO.	DATE	REMARKS	BY
REVISIONS			
		CASCO BAY STEEL STRUCTURES ONE WALLACE AVENUE SOUTH PORTLAND, ME 04106 PHONE: 207-780-6722 FAX: 207-780-6726	
STRUCTURE <u>VT 100 OVER MAD RIVER</u>			
LOCATION <u>TOWN OF WAITSFIELD, VERMONT</u>			
PROJECT NO. <u>PROJECT NO. BRP 013-4(39) BRIDGE NO. 177</u>			
ENGINEER <u>McFARLAND JOHNSON</u>			
CUSTOMER <u>AL. ST. ONGE CONTRACTOR, INC.</u>			
ITEM <u>CALC PLAN</u>			
SURFACE PREP. <u>OPEN HOLES</u>			
PAINT _____			
APPROVAL	DRAWN WCG 1-20-16	SHEET NO. WS1	JOB NO. 651
SHOP	CHECKED <i>CS</i> 1-27-16		