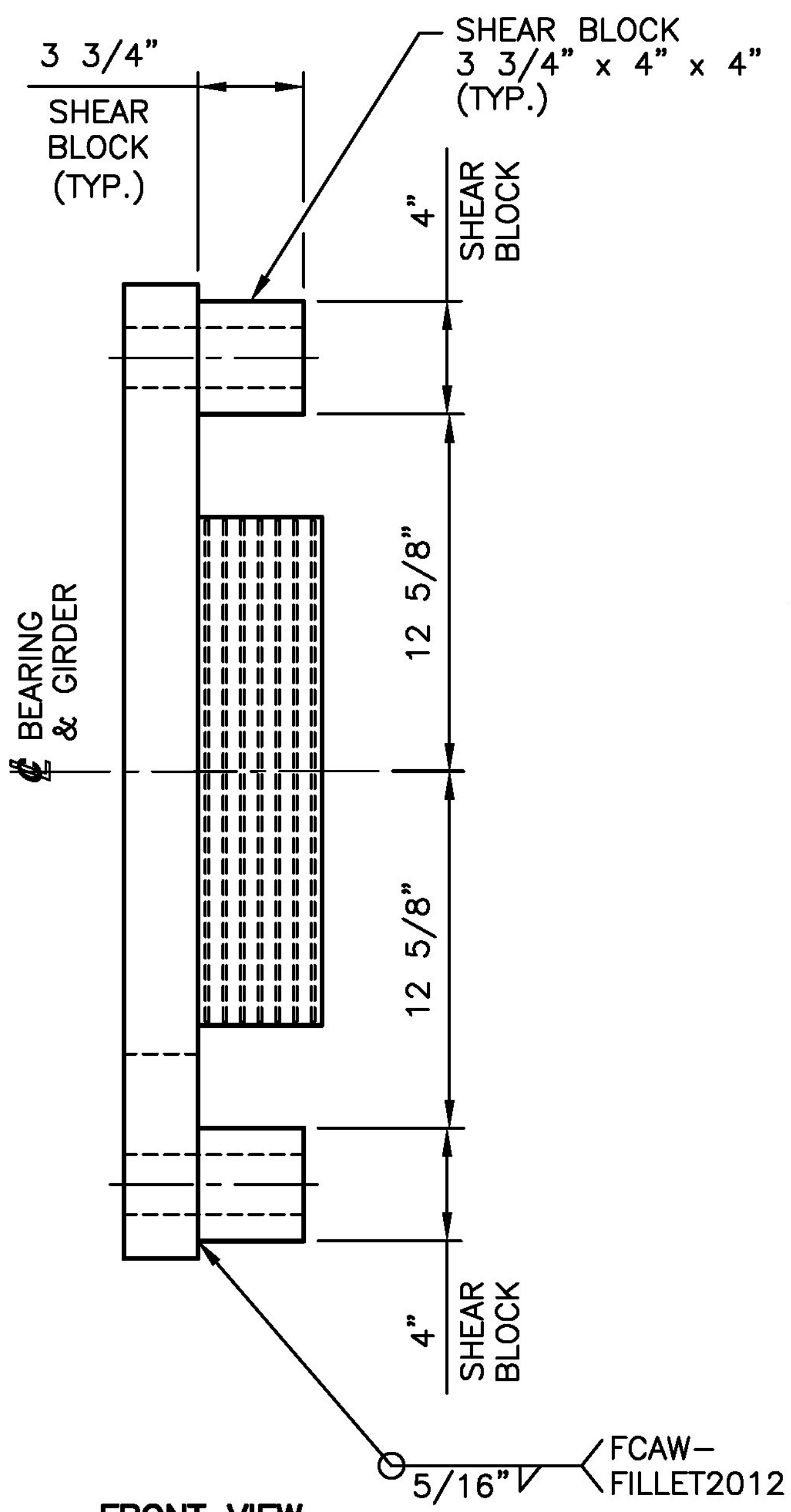
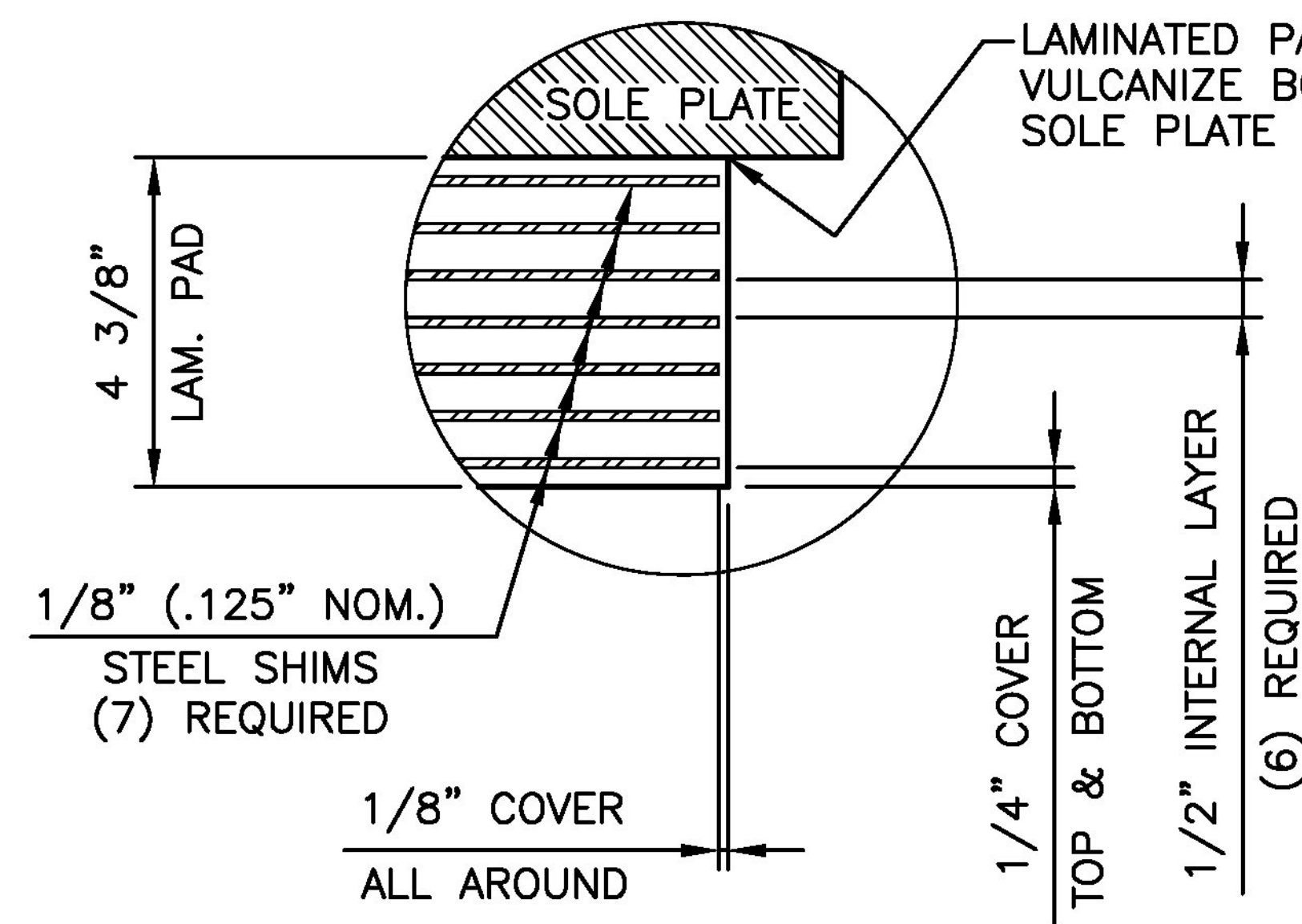


PLAN VIEW



FRONT VIEW



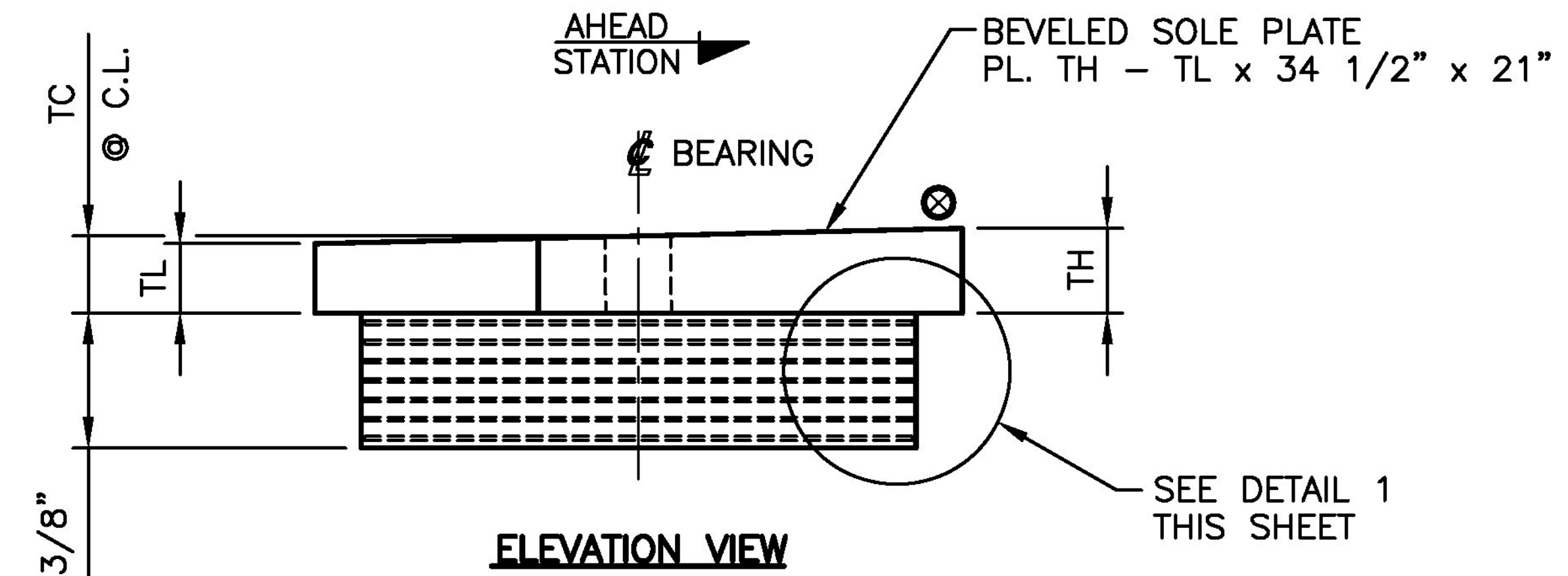
DETAIL 1

4 3/8" x 18" DIA LAMINATED PAD
60 DUROMETER GRADE 4 NATURAL RUBBER
WITH A SHEAR MODULUS OF 130 PSI TO 200 PSI
VULCANIZE BONDED TO SOLE PLATE
(5) REQUIRED

TEST 1

4 3/8" x 18" DIA LAMINATED PAD
60 DUROMETER GRADE 4 NATURAL RUBBER
PAD ONLY - NO SOLE PLATE
(2) REQUIRED

MAX. DESIGN LOAD (UNFACTORED)
DEAD LOAD = 148 kips
LIVE LOAD = 140 kips



ELEVATION VIEW

FIXED LAMINATED ELASTOMERIC BEARING ASSEMBLY
(SHEAR BLOCK NOT SHOWN FOR CLARITY)
FOR DIMENSIONS, LOCATIONS & MARKS
SEE SOLE PLATE TABLE ON THIS SHEET

SOLE PLATE TABLE						
ASSY. MARK NO.	LOCATION		QTY	TL (in.) THK. LOW SIDE	TH (in.) THK. HIGH SIDE	TC (in.) THK. AT C.L.
	ABUT/PIER NO(s)	GIRDER NO(s)				
FBA1	ABUTMENT 1	G1	1	1 13/16	2 3/16	2
FBA2	ABUTMENT 1	G2	1	2 3/16	2 9/16	2 3/8
FBA3	ABUTMENT 1	G3	1	2 3/8	2 5/8	2 1/2
FBA4	ABUTMENT 1	G4	1	1 7/8	2 1/8	2
FBA5	ABUTMENT 1	G5	1	2 1/8	2 3/8	2 1/4

SEE SHEET GN1 FOR GENERAL NOTES.

STATE OF VERMONT
AGENCY OF TRANSPORTATION
ROUTE NO: VT 100
(MINOR ARTERIAL)
BRIDGE NO: 177
TOWN OF WAITSFIELD

STATE	COUNTY	CONTROL NO.
VT	WASHINGTON	N/A
PROJ. NO.: BF 013-4(39)		

**DYNAMIC RUBBER:
LAMINATED BEARING ASSEMBLIES**

Cosmea 1501 ROCKY RIDGE ROAD
P.O. BOX 2159
ATHENS, TEXAS 75751

SCALE: NONE	DRAWN BY: RJH	CHECKED BY: ELS
	DATE: 1/11/16	DATE: 1/19/16

SHEET 1 OF 3 **JOB NO.: 13319**

REV.	DESCRIPTION	BY	DATE	CK'D	DATE	CUSTOMER:	DRAWING NUMBER	REV.
						A.L. ST. ONGE CONTRACTOR INC.	13319-D1	0

Vermont Agency of Transportation
RECEIVED
ON: January 22, 2016
and Checked for
CONFORMANCE
BY: Rob Young DATE: 02/18/2016

Approved _____ X Approved As Noted _____
Rejected _____

This review is only for general conformance with the design concept and the information given in the Construction Documents. Corrections or comments made on the shop drawings during the review do not relieve the Contractor from compliance with the requirements of the Plans and Specifications. Review of a specific item shall not constitute review of an assembly of which an item is a component. The Contractor is responsible for dimensions to be confirmed and corrected at the job site; information that pertains solely to the fabrication process or to the means, methods, techniques, sequences and procedures of construction; coordination of the Work with that of other trades and performing all Work in a safe and satisfactory manner.

Date: 2/17/2016
By: D. Kull