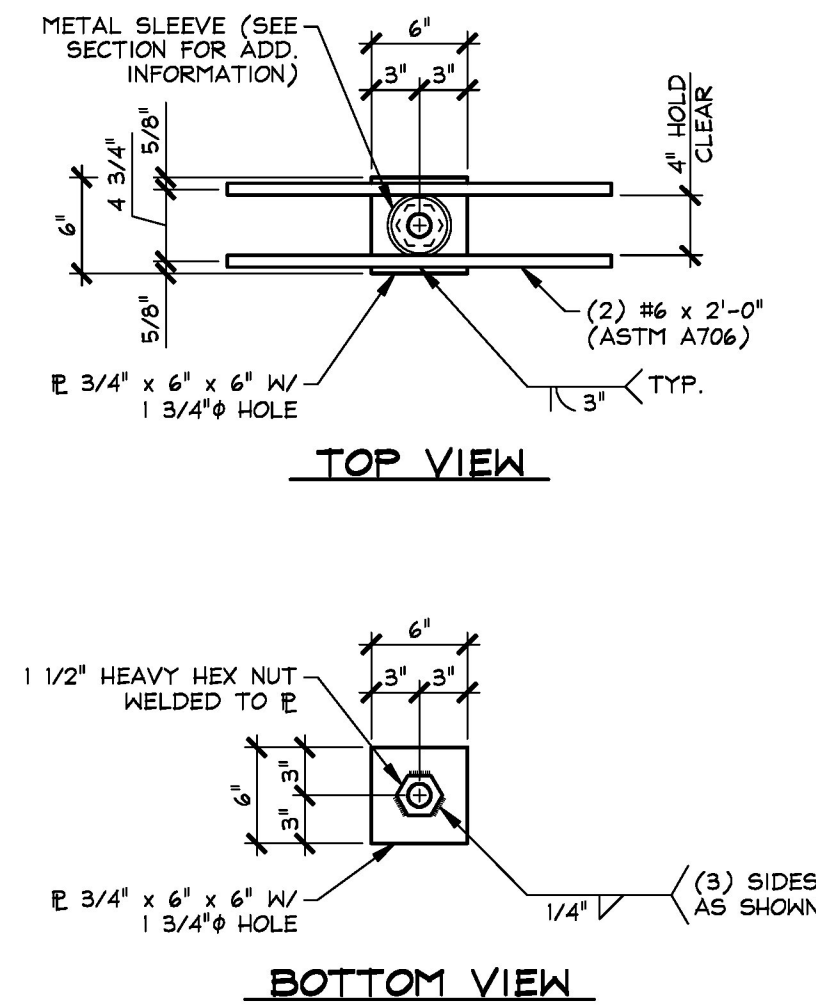
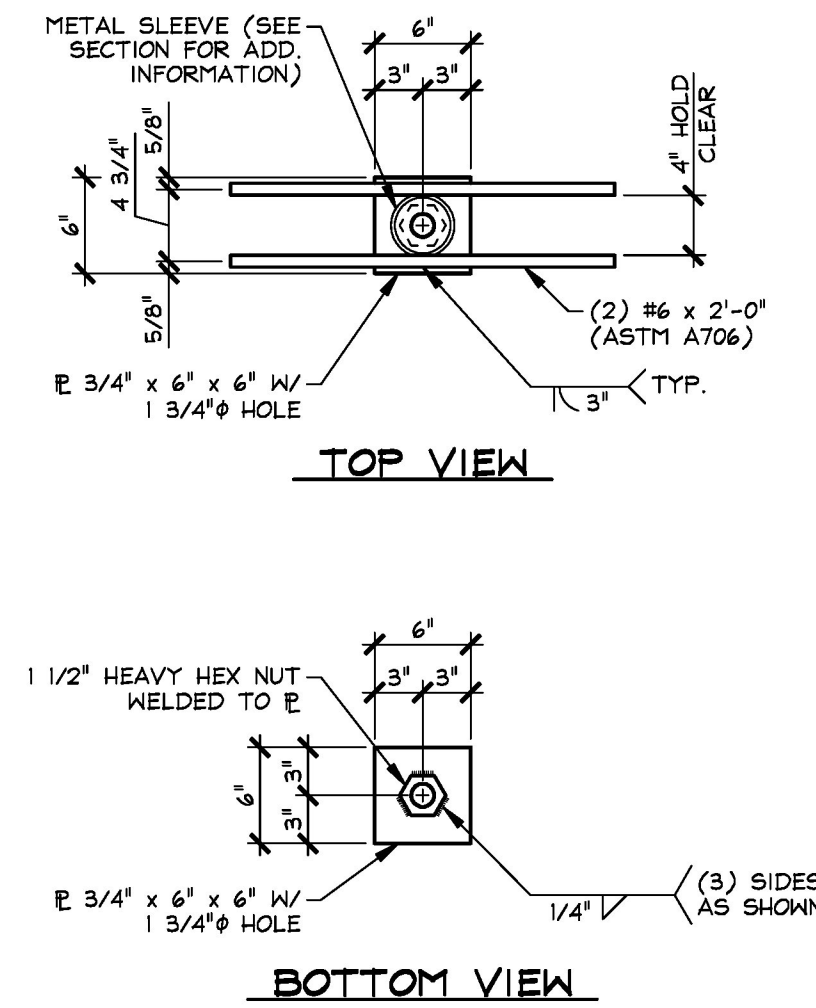


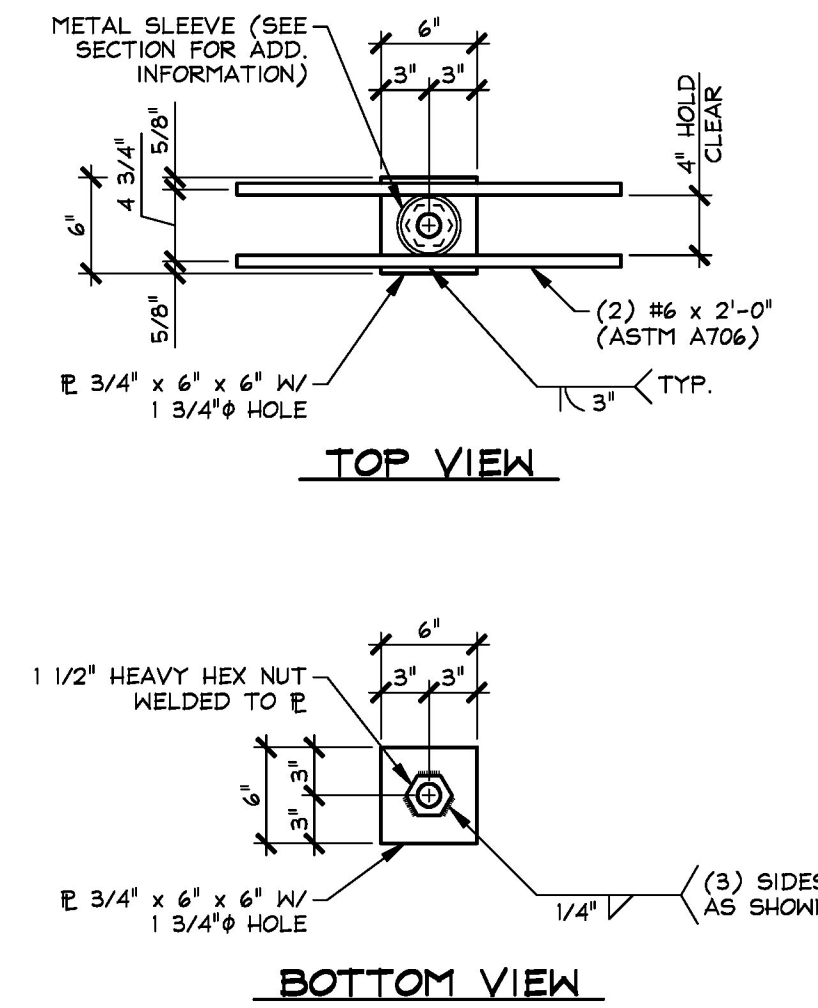
**LEVELING JACK ASSEMBLY "MK-MD7"**  
 (1) REQ'D. 1" = 1'-0"



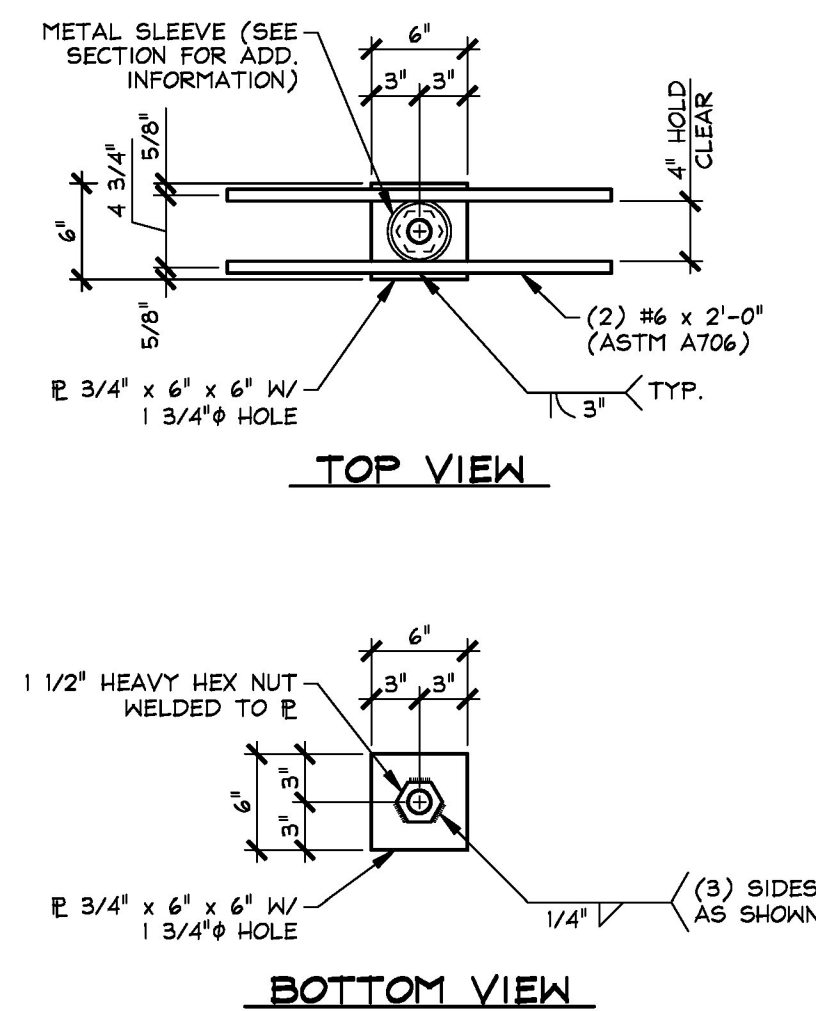
**LEVELING JACK ASSEMBLY "MK-MD8"**  
 (7) REQ'D. 1" = 1'-0"



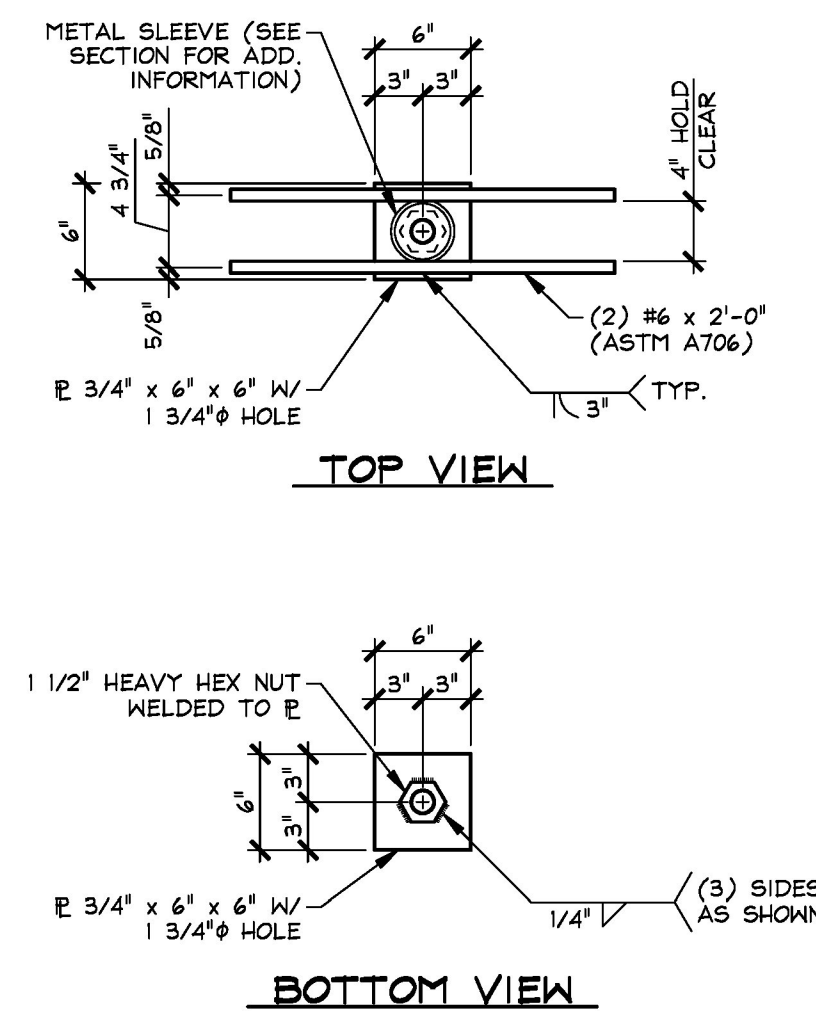
**LEVELING JACK ASSEMBLY "MK-MD9"**  
 (2) REQ'D. 1" = 1'-0"



**LEVELING JACK ASSEMBLY "MK-MD10"**  
 (2) REQ'D. 1" = 1'-0"



**LEVELING JACK ASSEMBLY "MK-MD11"**  
 (2) REQ'D. 1" = 1'-0"



Vermont Agency of Transportation  
**RECEIVED**  
 ON: **May 10, 2016**  
 and Checked for  
**CONFORMANCE**  
 BY: Rob Young DATE: 05/10/2016

Approved	X	Approved As Noted
Rejected		
This review is only for general conformance with the design concept and the information given in the Construction Documents. Corrections or comments made on the shop drawings during the review do not relieve the Contractor from compliance with the requirements of the Plans and Specifications. Review of a specific item shall not include review of an assembly of which an item is a component. The Contractor is responsible for dimensions to be confirmed and corrected at the job site; information that pertains solely to the fabrication process or to the means, methods, techniques, sequences and procedures of construction; coordination of the Work with that of other trades and performing all Work in a safe and satisfactory manner.		
Date: 5/13/2016		
By: D. Kull		

APPROVAL STAMP:	<b>J.P. CARRARA &amp; SONS INC.</b> Precast & Prestress Manufacturer 2464 OISE STR., MIDDLEBURY, VERMONT 05753 Phone: (802)388-6361 Fax: (802)388-9010	<b>A.L. ST. ONGE CONTRACTOR, INC.</b> CONTRACTOR MONTGOMERY, VERMONT
	<b>STATE OF VERMONT AGENCY OF TRANSPORTATION</b> COUNTY OF WINDSOR	DATE: JAN. 12, 2016 SCALE: NOTED
	<b>TOWN OF WAITSFIELD</b> VT ROUTE 100 (MINOR ARTERIAL) BRIDGE NO.: 177 PROJECT NO.: BRP 013-4(39)	CHKD: - DFTM: B.L. JOB NO: 23480-016
	<b>PRECAST FOOTING MATERIALS LIST</b>	DWG. NO: <b>M5.1</b>