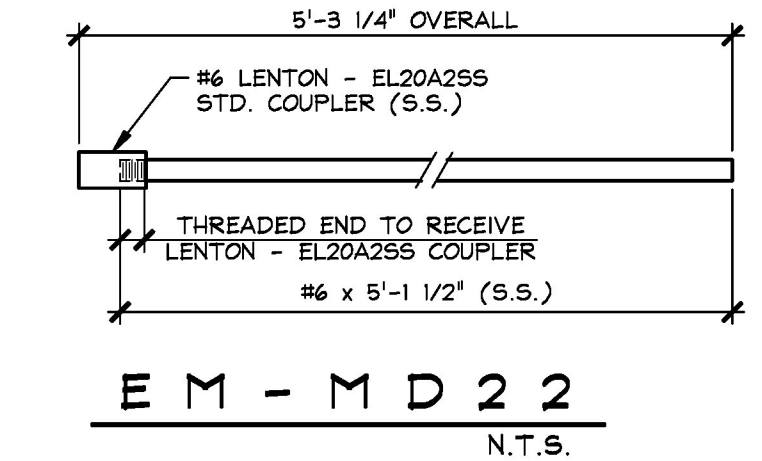
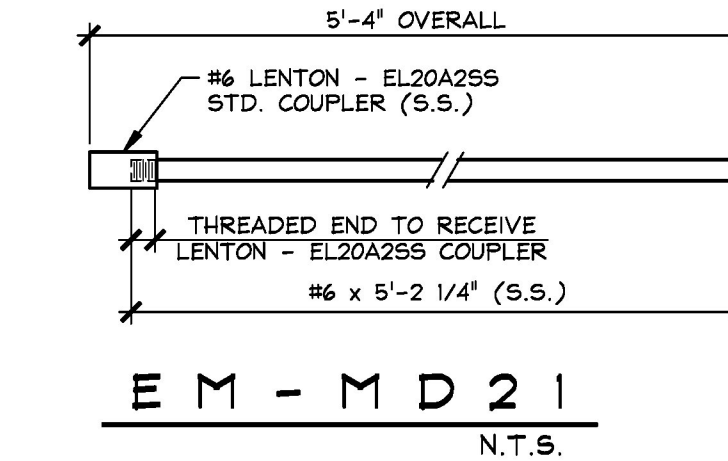
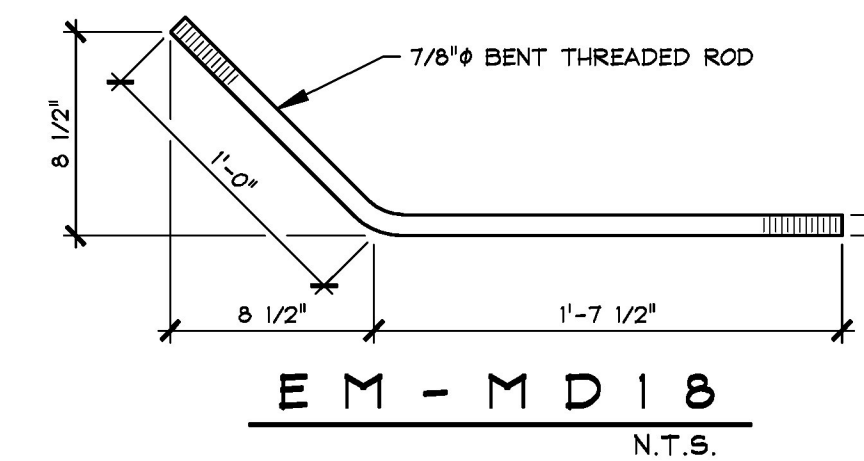
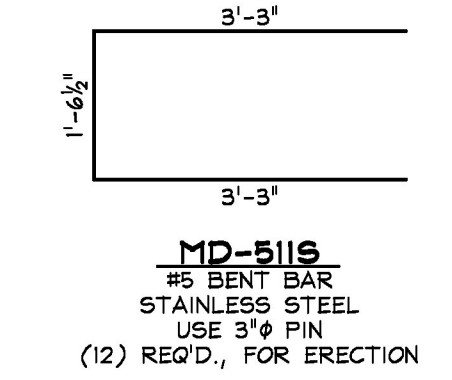
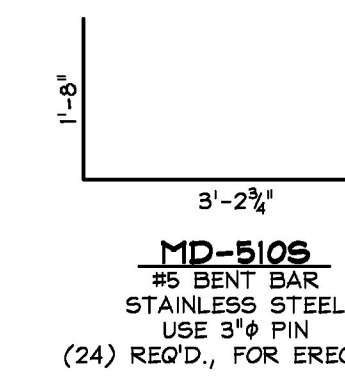
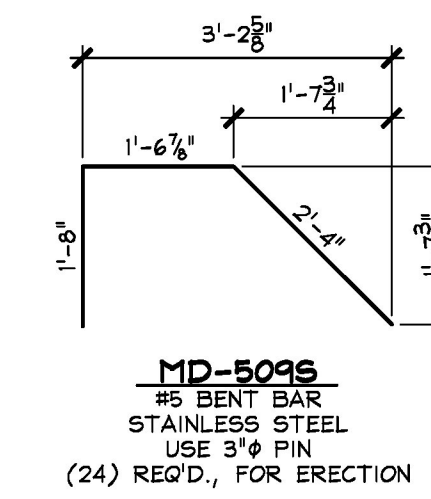


CAST-IN-PLACE CHEEKWALL MATERIALS				
ITEM	MARK	QTY.	DESCRIPTION	REMARKS
1	EM-MD18	1	7/8" BENT THREADED ROD (GALV.)	FOR ERECTION; SEE DETAIL THIS SHEET
2	EM-MD21	15	#6 x 5'-2 1/4" (S.S.) W/ LENTON COUPLER	FOR ERECTION; SEE DETAIL THIS SHEET
3	EM-MD22	15	#6 x 5'-1 1/2" (S.S.) W/ LENTON COUPLER	FOR ERECTION; SEE DETAIL THIS SHEET
4		3	#5 x 5'-9" (STAINLESS STEEL)	FOR ERECTION
5		3	#5 x 5'-6" (STAINLESS STEEL)	FOR ERECTION
6		48	#5 x 2'-4" (STAINLESS STEEL)	FOR ERECTION
7				
8				
9				
10				



Vermont Agency of Transportation
RECEIVED
ON: **May 10, 2016**
and Checked for
CONFORMANCE
BY: Rob Young DATE: 05/16/2016

Approved	<input checked="" type="checkbox"/>	Approved As Noted
Rejected	<input type="checkbox"/>	

This review is only for general conformance with the design concept and the information given in the Construction Documents. Corrections or comments made on the shop drawings during the review do not relieve the Contractor from compliance with the requirements of the Plans and Specifications. Review of a specific item shall not include review of an assembly of which an item is a component. The Contractor is responsible for dimensions to be confirmed and corrected at the job site; information that pertains solely to the fabrication process or to the means, methods, techniques, sequences and procedures of construction; coordination of the Work with that of other trades and performing all Work in a safe and satisfactory manner.

Date: 5/13/2016
By: D. Kull

McFarland Johnson

5-10-16 REVISED TO INCORPORATE C.I.P. CHEEKWALL

APPROVAL STAMP:	J.P. CARRARA & SONS INC. Precast & Prestress Manufacturer 2464 CASE STR., WINDSOR, VERMONT 05753 Phone: (802)388-6361 Fax: (802)388-9010	A.L. ST. ONGE CONTRACTOR, INC. CONTRACTOR MONTGOMERY, VERMONT
	STATE OF VERMONT AGENCY OF TRANSPORTATION COUNTY OF WINDSOR	
	DATE: JAN. 12, 2016 SCALE: NOTED	
	TOWN OF WAITSFIELD VT ROUTE 100 (MINOR ARTERIAL) BRIDGE NO.: 177 PROJECT NO.: BRP 013-4(39)	
PRECAST ABUTMENT STEMS CAST-IN-PLACE MATERIALS LIST		CHKD: - DFTM: B.L. JOB NO: 23480-016 DWG. NO: M1.1