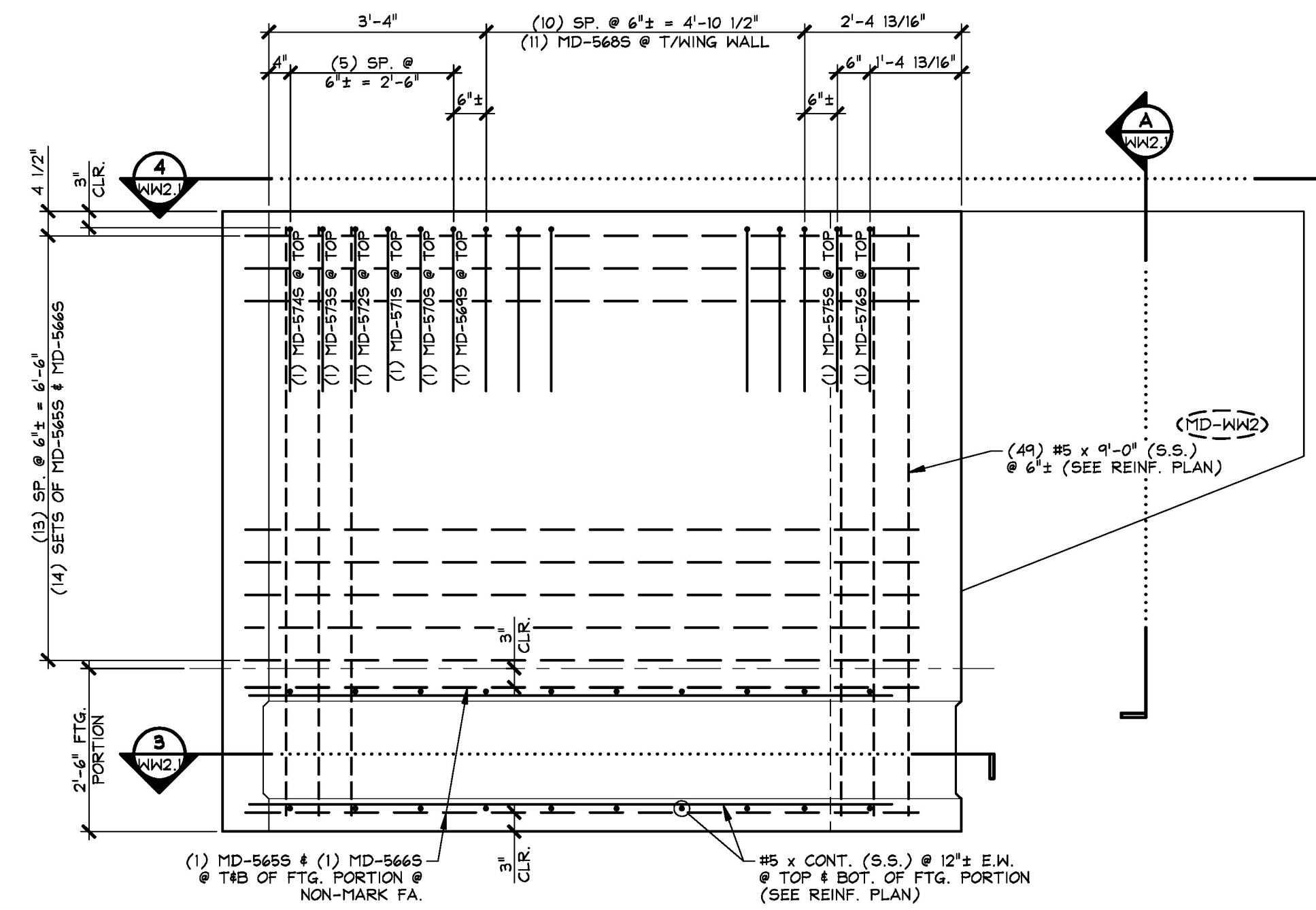
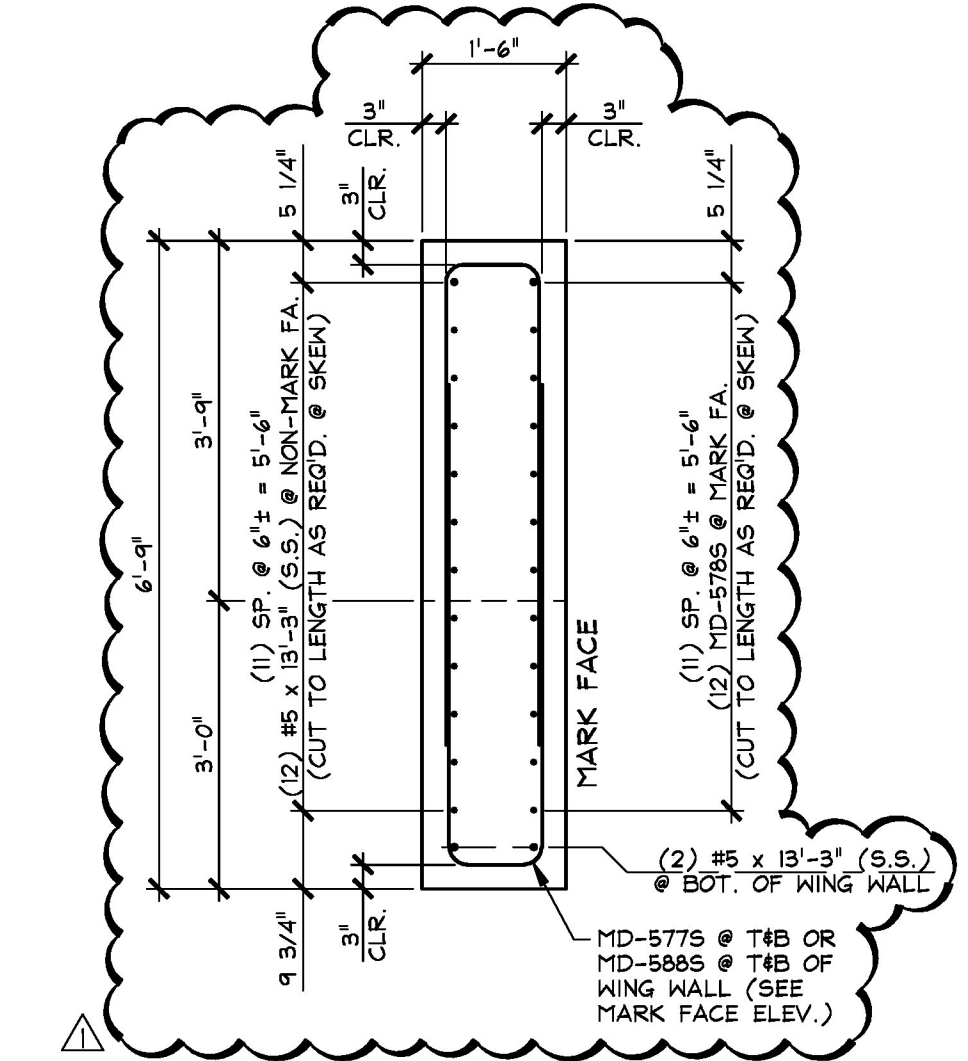


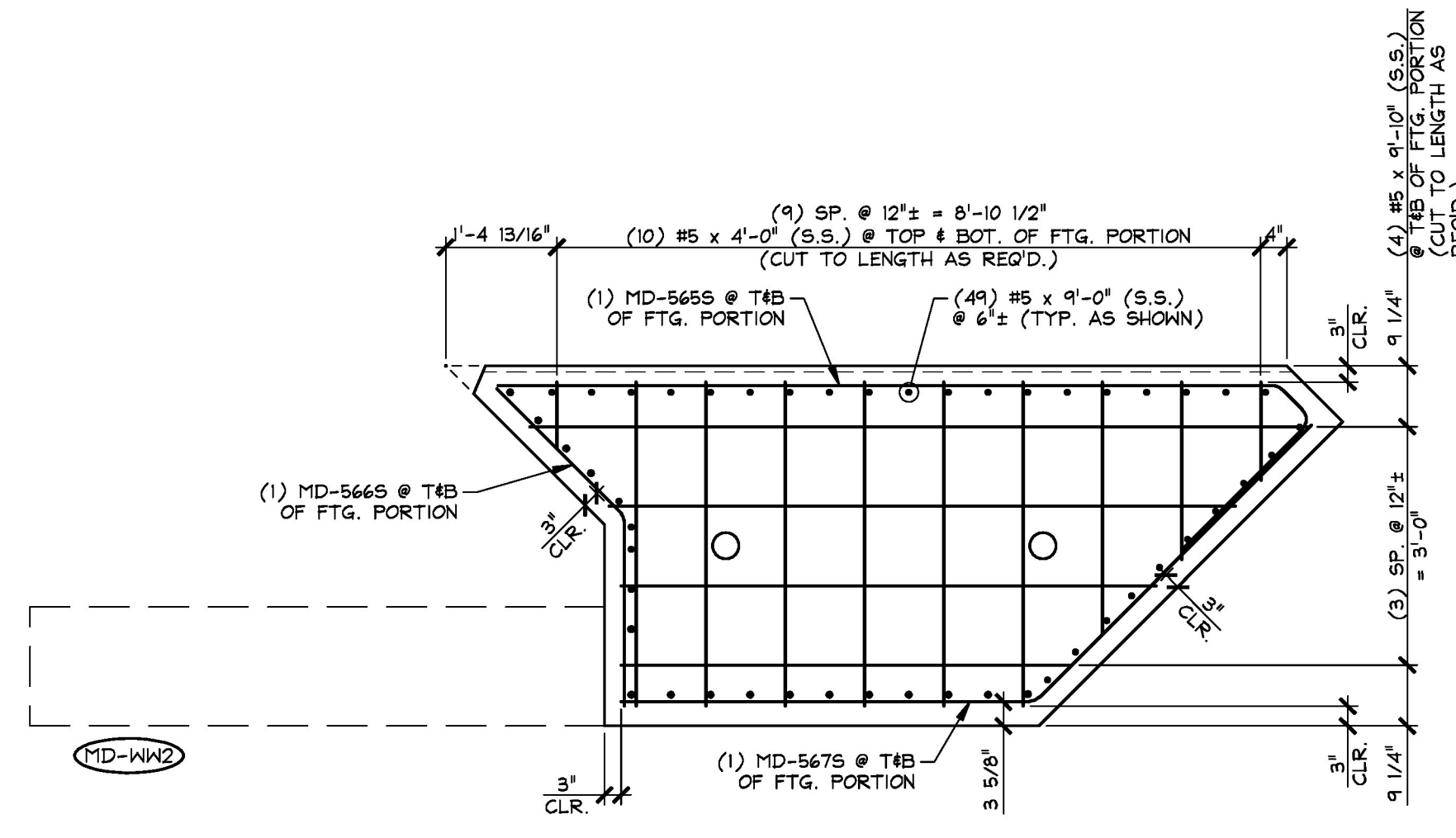
**1 REINFORCING ELEVATION**  
**WW2.1 MARK FACE** 1/2" = 1'-0"



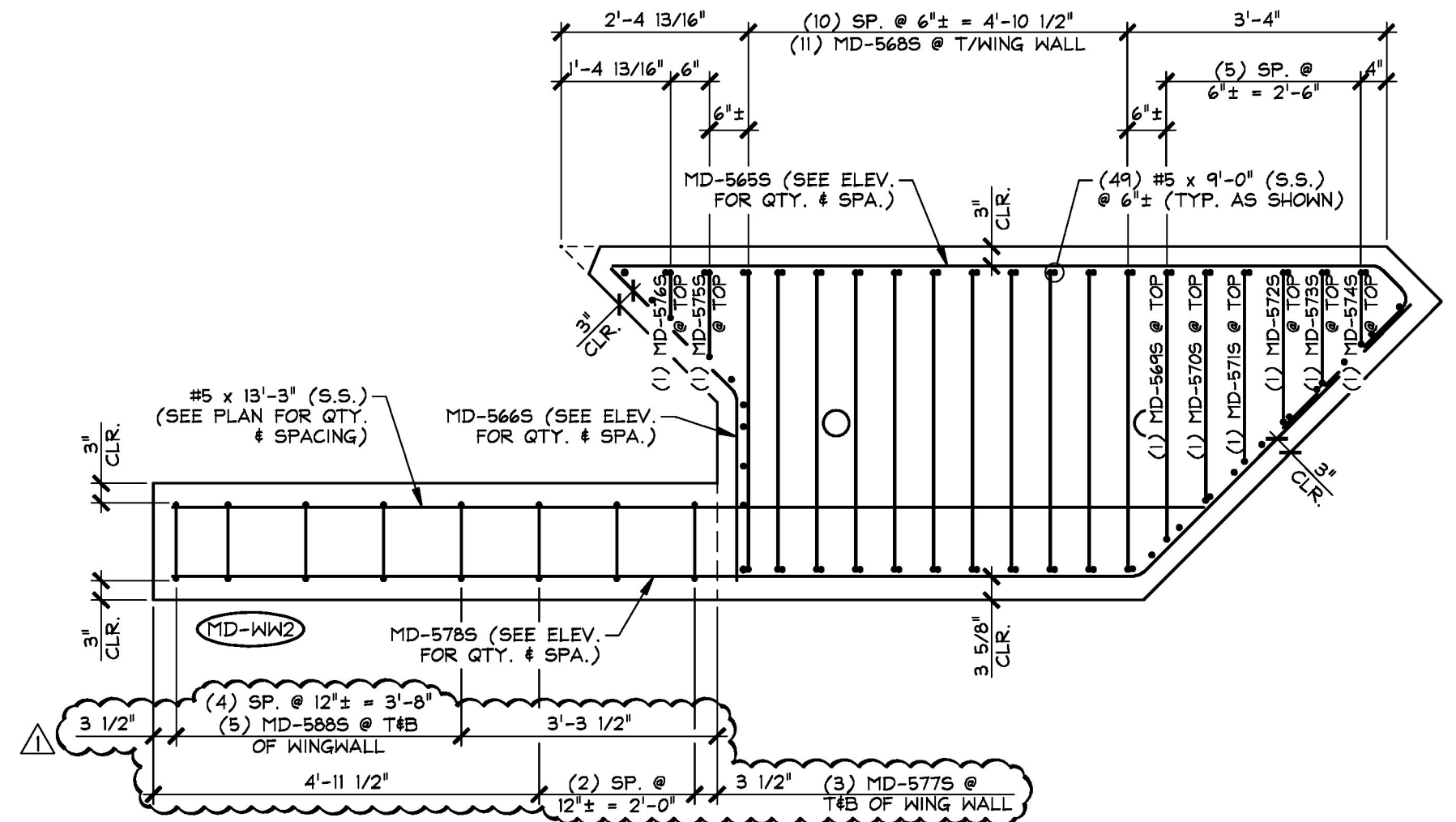
**2 REINFORCING ELEVATION**  
**WW2.1 NON-MARK FACE** 1/2" = 1'-0"



**A REINFORCING SECTION**  
 1/2" = 1'-0"



**3 REINFORCING PLAN VIEW IN FORM**  
**WW2.1 FOOTING PORTION** 1/2" = 1'-0"



**4 REINFORCING PLAN VIEW IN FORM**  
**WW2.1** 1/2" = 1'-0"

MARK: MD-WW2		QTY.: 1	
MATERIAL LIST / WING WALL			
ITEM	MARK	DESCRIPTION	QTY.
1	MD-5655	#5 BENT BAR (STAINLESS STEEL)	16
2	MD-5665	#5 BENT BAR (STAINLESS STEEL)	16
3	MD-5675	#5 BENT BAR (STAINLESS STEEL)	2
4	MD-5685	#5 BENT BAR (STAINLESS STEEL)	11
5	MD-5695	#5 BENT BAR (STAINLESS STEEL)	1
6	MD-5705	#5 BENT BAR (STAINLESS STEEL)	1
7	MD-5715	#5 BENT BAR (STAINLESS STEEL)	1
8	MD-5725	#5 BENT BAR (STAINLESS STEEL)	1
9	MD-5735	#5 BENT BAR (STAINLESS STEEL)	1
10	MD-5745	#5 BENT BAR (STAINLESS STEEL)	1
11	MD-5755	#5 BENT BAR (STAINLESS STEEL)	1
12	MD-5765	#5 BENT BAR (STAINLESS STEEL)	1
13	MD-5775	#5 BENT BAR (STAINLESS STEEL)	6
14	MD-5785	#5 BENT BAR (STAINLESS STEEL)	12
15	MD-5885	#5 BENT BAR (STAINLESS STEEL)	10
16		#5 x 9'-0" (STAINLESS STEEL)	49
17		#5 x 4'-0" (STAINLESS STEEL)	20
18		#5 x 9'-10" (STAINLESS STEEL)	8
19		#5 x 13'-3" (STAINLESS STEEL)	14
20		#5 x 12'-0" (STAINLESS STEEL)	12

Approved \_\_\_\_\_ X \_\_\_\_\_ Approved As Noted  
 Rejected \_\_\_\_\_

This review is only for general conformance with the design concept and the information given in the Construction Documents. Corrections or comments made on the shop drawings during the review do not relieve the Contractor from compliance with the requirements of the Plans and Specifications. Review of a specific item shall not include review of an assembly of which an item is a component. The Contractor is responsible for dimensions to be confirmed and corrected at the job site; information that pertains solely to the fabrication process or to the means, methods, techniques, sequences and procedures of construction; coordination of the Work with that of other trades and performing all Work in a safe and satisfactory manner.

Date: 5/13/2016  
 By: D. Kull

**McFarland Johnson**

Vermont Agency of Transportation  
**RECEIVED**  
 ON: **May 10, 2016**  
 and Checked for  
**CONFIRMANCE**  
 BY: Rob Young DATE: 05/18/2016

5-10-16 REVISED AS NOTED

APPROVAL STAMP:

**J.P. CARRARA & SONS INC.**  
 Precast & Prestress Manufacturer  
 2464 CASE ST., MIDDLEBURY, VERMONT 05753 Phone: (802)388-6361 Fax: (802)388-9010

**A.L. ST. ONGE CONTRACTOR, INC.**  
 CONTRACTOR  
 MONTGOMERY, VERMONT

STATE OF VERMONT AGENCY OF TRANSPORTATION  
 COUNTY OF WINDSOR

TOWN OF WAITSFIELD  
 VT ROUTE 100 (MINOR ARTERIAL)  
 BRIDGE NO.: 177 PROJECT NO.: BRP 013-4(39)

DATE: JAN. 12, 2016  
 SCALE: NOTED  
 CHKD: - DFTM: B.L.  
 JOB NO: 23480-016  
 DWG. NO: WW2.1

PRECAST WING WALL  
 REINFORCING DETAILS