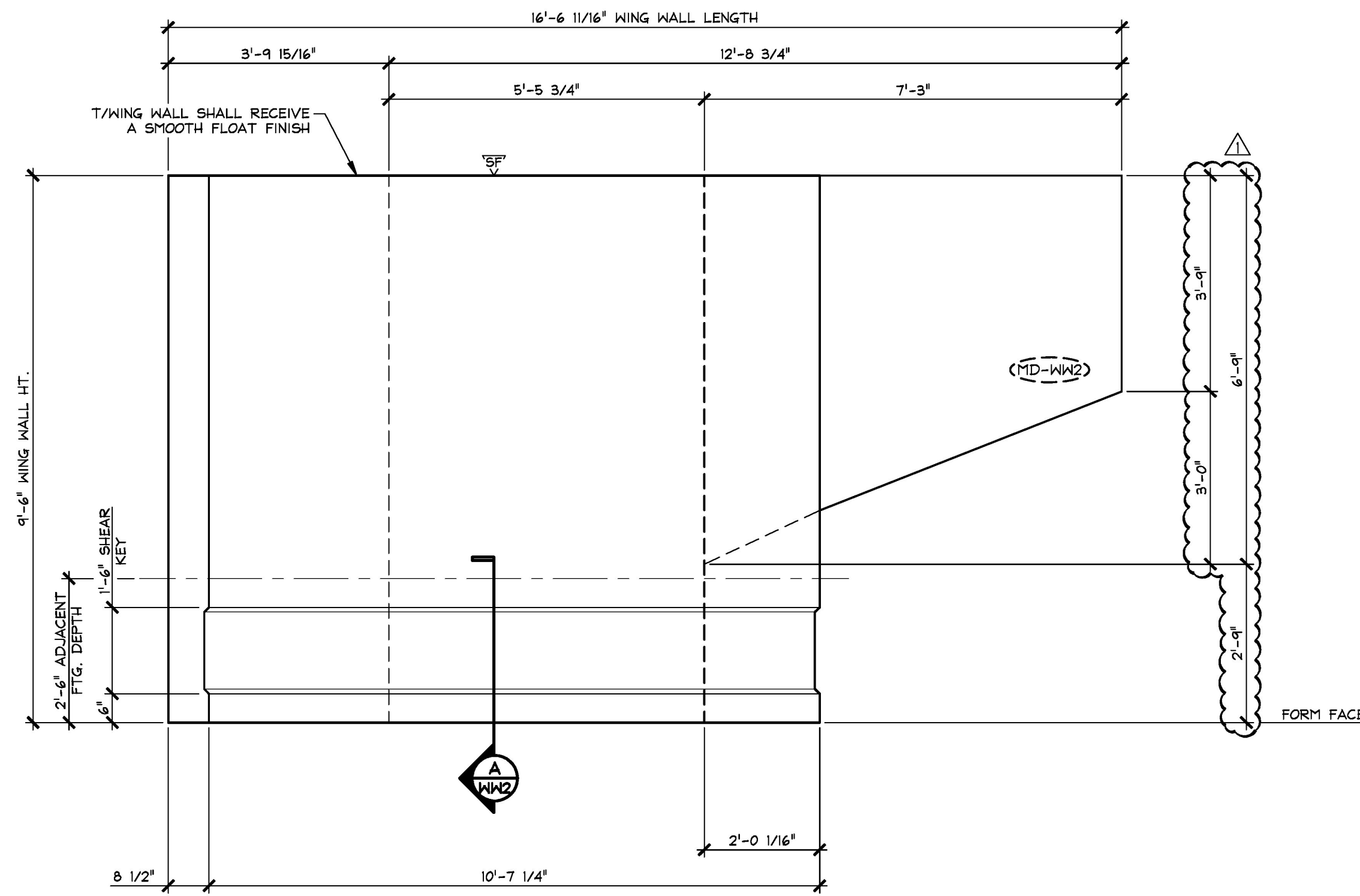
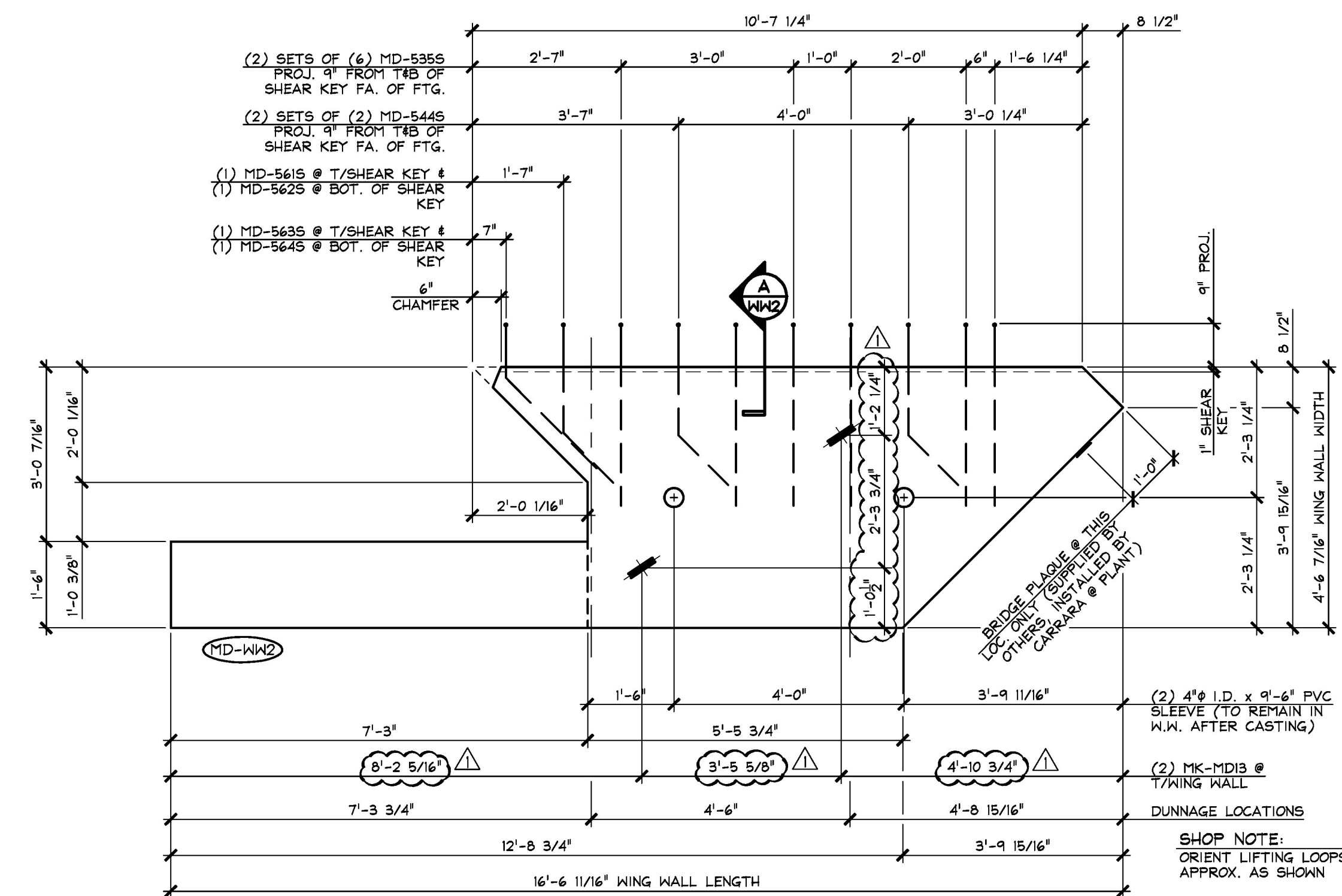


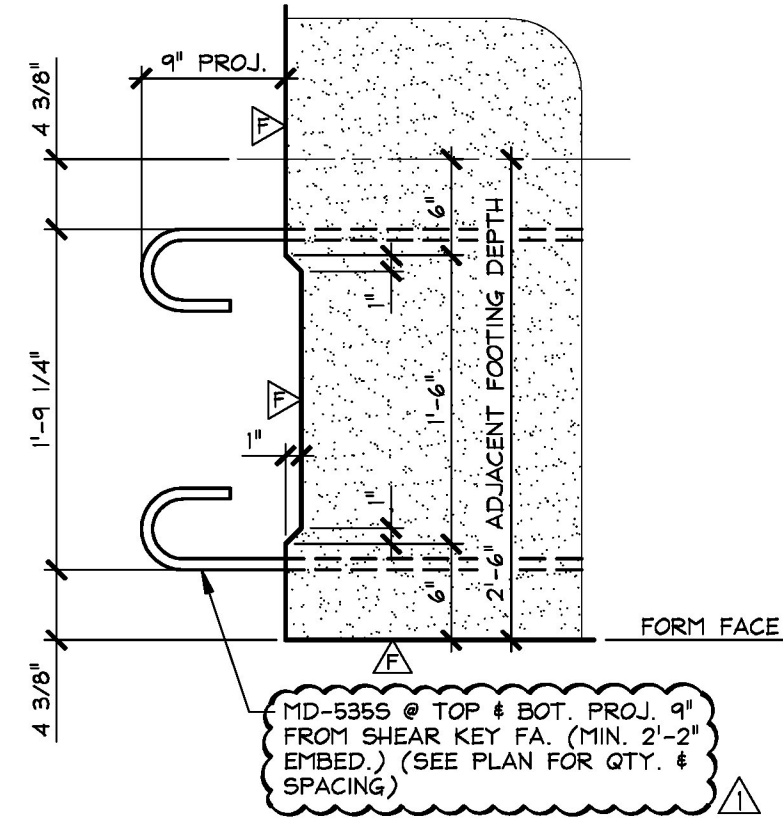
1 DIMENSIONAL ELEVATION
 WW2 MARK FACE 1/2" = 1'-0"



2 DIMENSIONAL ELEVATION
 WW2 NON-MARK FACE 1/2" = 1'-0"



3 DIMENSIONAL PLAN VIEW IN FORM
 WW2 1/2" = 1'-0"



A SHEAR KEY DETAIL
 WW2 1" = 1'-0"

Vermont Agency of Transportation
RECEIVED
 ON: May 10, 2016
 and Checked for
CONFORMANCE
 BY: Rob Young DATE: 05/16/2016

Approved Approved As Noted
 Rejected
 This review is only for general conformance with the design concept and the information given in the Construction Documents. Corrections or comments made on the shop drawings during the review do not relieve the Contractor from compliance with the requirements of the Plans and Specifications. Review of a specific item shall not include review of an assembly of which an item is a component. The Contractor is responsible for dimensions to be confirmed and corrected at the job site; information that pertains solely to the fabrication process or to the means, methods, techniques, sequences and procedures of construction; coordination of the Work with that of other trades and performing all Work in a safe and satisfactory manner.
 Date: 5/13/2016
 By: D. Kull

5-10-16 REVISED AS NOTED

APPROVAL STAMP:

SHOP NOTE:
 SEE DRAWING NO. "WW2.1" FOOTING REINFORCING

SHOP NOTE:
 28-DAY STRENGTH = 5,000 PSI
 HANDLING STRENGTH = 3,500 PSI
 MIX #445MSCC

△ DENOTES FORM FINISH
 ▽ DENOTES SMOOTH FLOAT FINISH

MATERIAL LIST / WING WALL			
ITEM	MARK	DESCRIPTION	QTY.
1	MD-5355	#5 BENT BAR (STAINLESS STEEL)	12
2	MD-5445	#5 BENT BAR (STAINLESS STEEL)	4
3	MD-5615	#5 BENT BAR (STAINLESS STEEL)	1
4	MD-5625	#5 BENT BAR (STAINLESS STEEL)	1
5	MD-5635	#5 BENT BAR (STAINLESS STEEL)	1
6	MD-5645	#5 BENT BAR (STAINLESS STEEL)	1
7			
8			
9		BRIDGE PLAQUE (SUPPLIED BY OTHERS)	1
10		4" I.D. x 9'-6" PVC SLEEVE	2
11	MK-MID3	SET OF (3) 0.60" Ø STRAND LIFTING LOOPS	2
12			
13			
14			
15			

J.P. CARRARA & SONS INC. Precast & Prestress Manufacturer 2464 CASE STR., MIDDLEBURY, VERMONT 05753 Phone: (802)388-6361 Fax: (802)388-9010		A.L. ST. ONGE CONTRACTOR, INC. CONTRACTOR MONTGOMERY, VERMONT	
STATE OF VERMONT AGENCY OF TRANSPORTATION COUNTY OF WINDSOR		DATE: JAN. 12, 2016 SCALE: NOTED	
TOWN OF WAITSFIELD VT ROUTE 100 (MINOR ARTERIAL) BRIDGE NO.: 177 PROJECT NO.: BRP 013-4(39)		CHKD: - DFTM: B.L. JOB NO: 23480-016	
PRECAST WING WALL DIMENSIONAL DETAILS		DWG. NO: WW2	