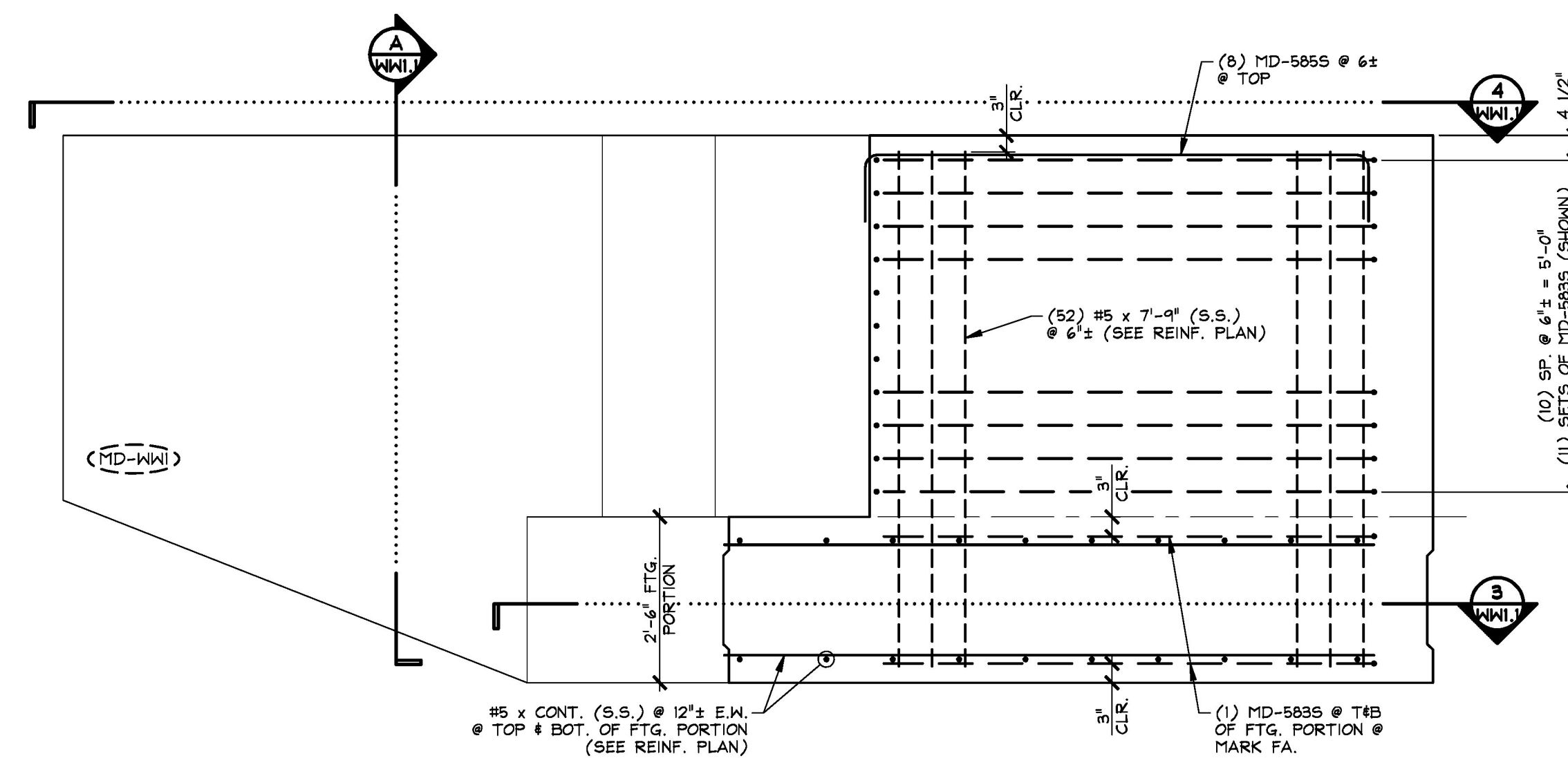
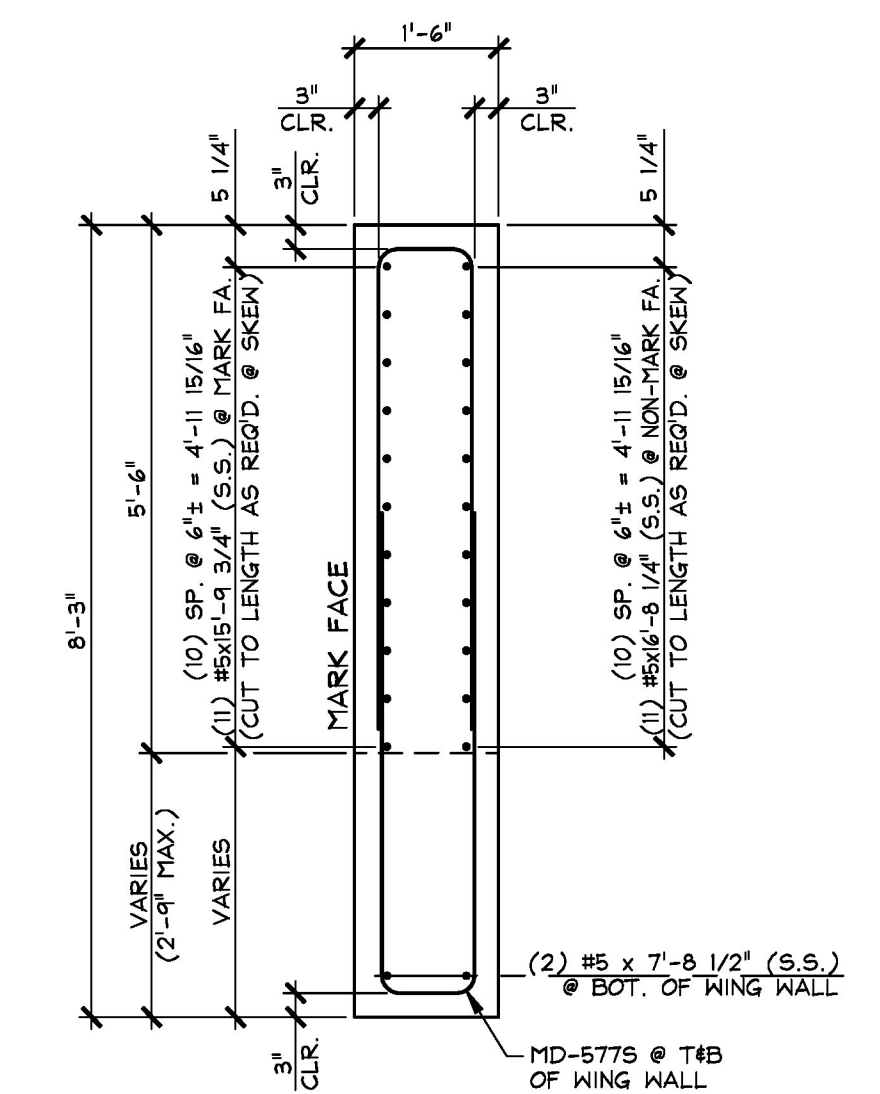


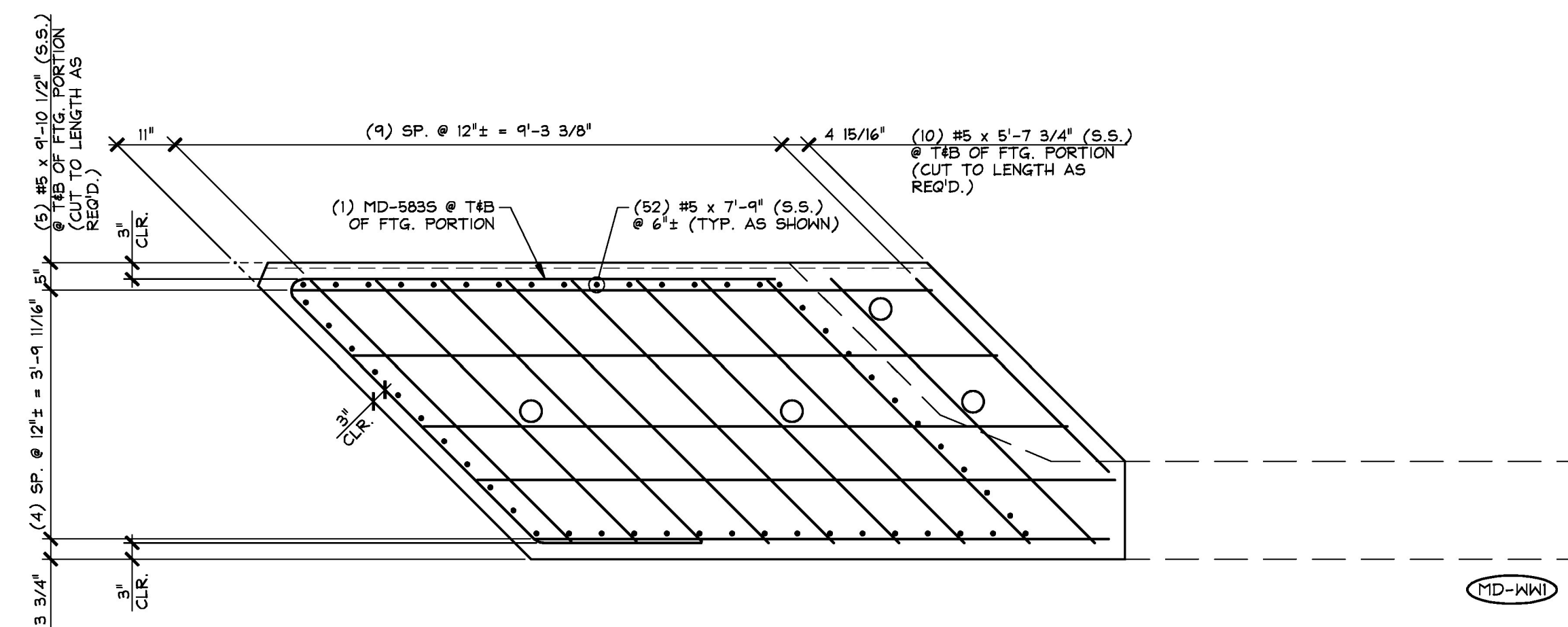
1 REINFORCING ELEVATION
MARK FACE
 1/2" = 1'-0"



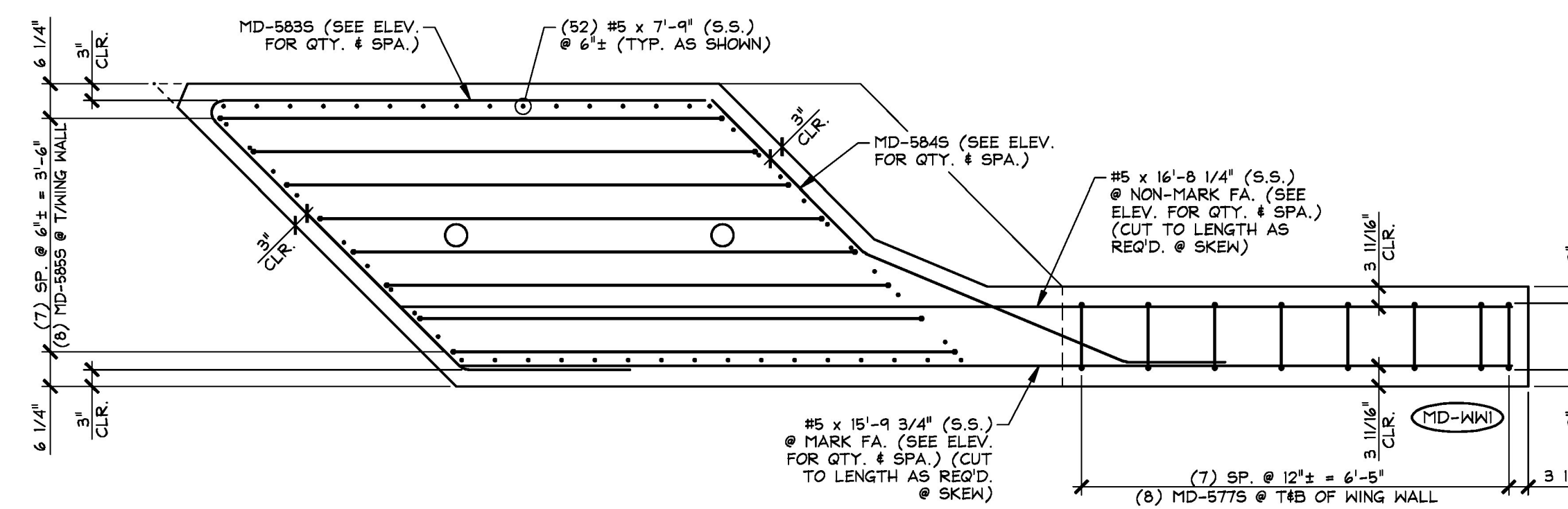
2 REINFORCING ELEVATION
NON-MARK FACE
 1/2" = 1'-0"



A REINFORCING SECTION
 1/2" = 1'-0"



3 REINFORCING PLAN VIEW IN FORM
FOOTING PORTION
 1/2" = 1'-0"



4 REINFORCING PLAN VIEW IN FORM
 1/2" = 1'-0"

MARK: MD-WWI		QTY.: 1	
MATERIAL LIST / WING WALL			
ITEM	MARK	DESCRIPTION	QTY.
1	MD-5775	#5 BENT BAR (STAINLESS STEEL)	16
2	MD-5835	#5 BENT BAR (STAINLESS STEEL)	13
3	MD-5845	#5 BENT BAR (STAINLESS STEEL)	11
4	MD-5855	#5 BENT BAR (STAINLESS STEEL)	8
5	MD-5875	#5 BENT BAR (STAINLESS STEEL)	2
6		#5 x 16'-8 1/4" (STAINLESS STEEL)	11
7		#5 x 15'-9 3/4" (STAINLESS STEEL)	11
8		#5 x 15'-9 3/4" (STAINLESS STEEL)	20
9		#5 x 9'-10 1/2" (STAINLESS STEEL)	10
10		#5 x 5'-7 3/4" (STAINLESS STEEL)	20
11		#5 x 7'-9" (STAINLESS STEEL)	52
12			
13			
14			
15			

Approved
 Rejected

Approved As Noted

This review is only for general conformance with the design concept and the information given in the Construction Documents. Corrections or comments made on the shop drawings during the review do not relieve the Contractor from compliance with the requirements of the Plans and Specifications. Review of a specific item shall not include review of an assembly of which an item is a component. The Contractor is responsible for dimensions to be confirmed and corrected at the job site; information that pertains solely to the fabrication process or to the means, methods, techniques, sequences and procedures of construction; coordination of the Work with that of other trades and performing all Work in a safe and satisfactory manner.

Date: 5/13/2016
 By: D. Kull

McFarland Johnson

Vermont Agency of Transportation
RECEIVED
 ON: May 10, 2016
 and Checked for
CONFORMANCE
 BY: Rob Young DATE: 05/16/2016

5-10-16 REVISED AS NOTED

APPROVAL STAMP:

J.P. CARRARA & SONS INC.
 Precast & Prestress Manufacturer
 2464 CASE STR., MIDDLEBURY, VERMONT 05753 Phone: (802)388-6361 Fax: (802)388-9010

A.L. ST. ONGE CONTRACTOR, INC.
 CONTRACTOR
 MONTGOMERY, VERMONT

STATE OF VERMONT AGENCY OF TRANSPORTATION
 COUNTY OF WINDSOR

TOWN OF WAITSFIELD
 VT ROUTE 100 (MINOR ARTERIAL)
 BRIDGE NO.: 177 PROJECT NO.: BRP 013-4(39)

PRECAST WING WALL REINFORCING DETAILS

DATE: JAN. 12, 2016
 SCALE: NOTED
 CHKD: - DFTM: B.L.
 JOB NO: 23480-016
 DWG. NO: WWI.1