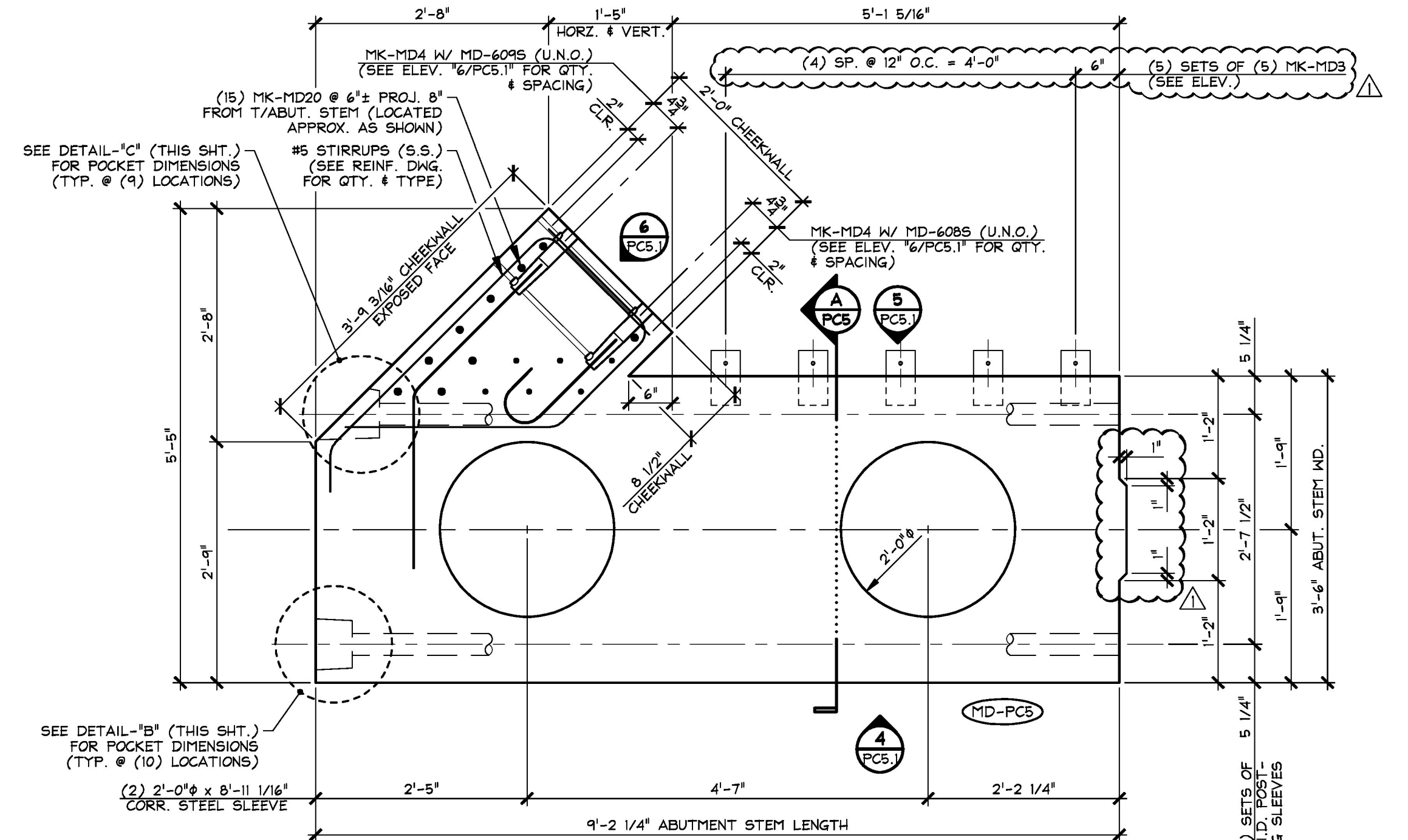
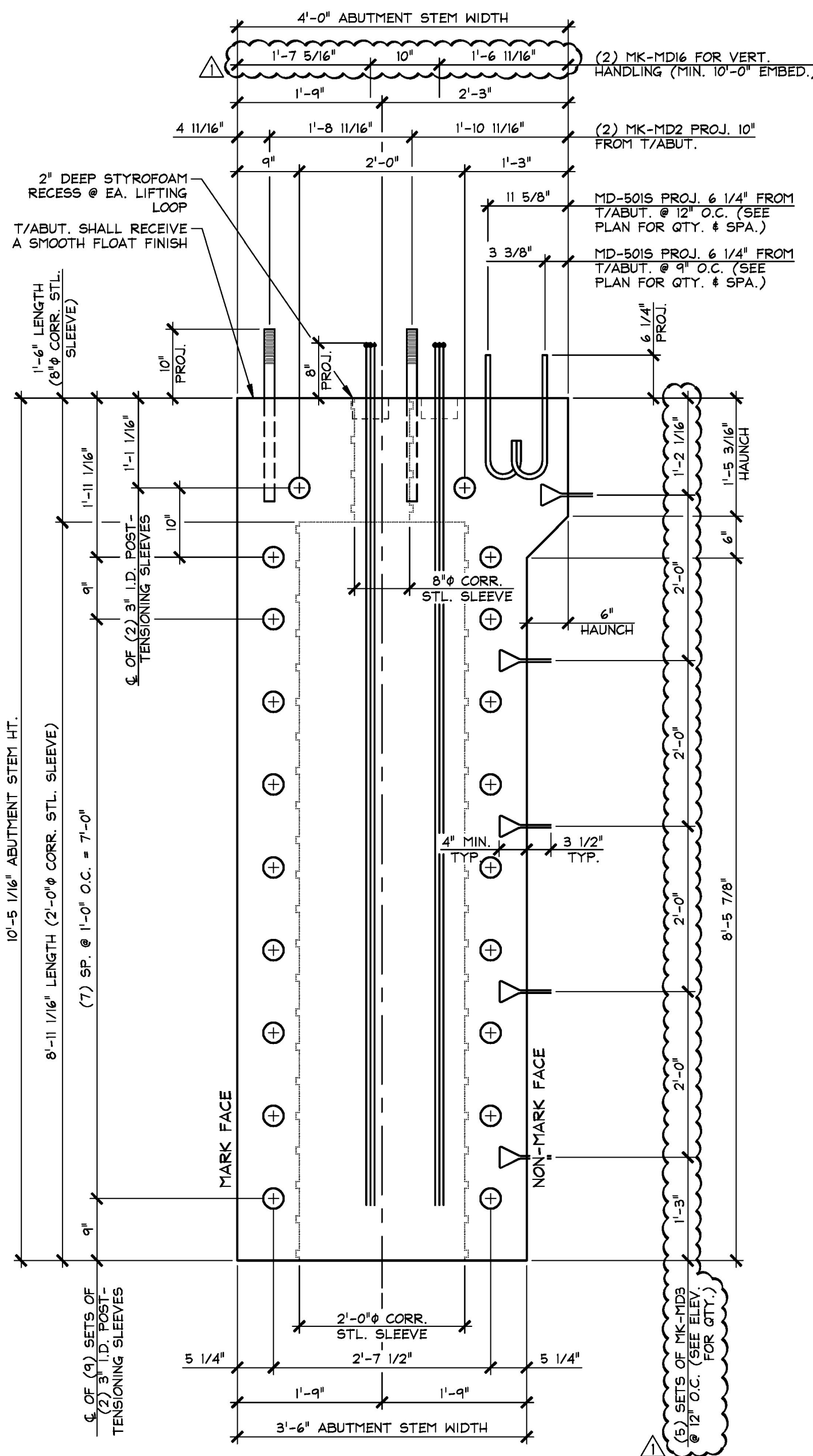


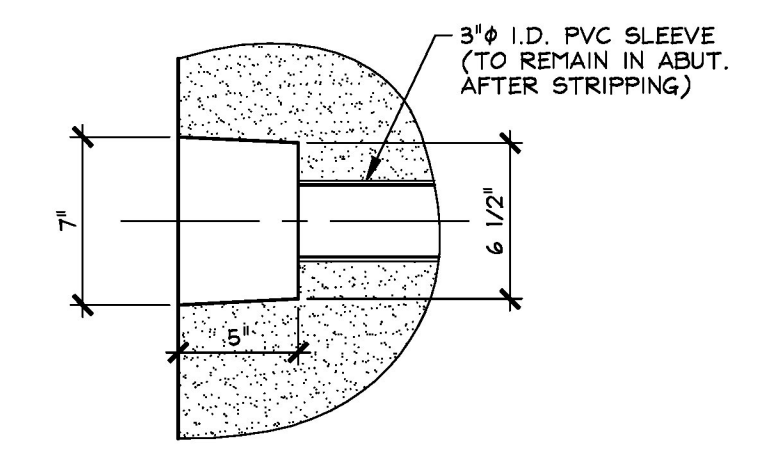
2 DIMENSIONAL PLAN VIEW IN FORM
PC5 AT TOP OF ABUTMENT STEM 3/4" = 1'-0"



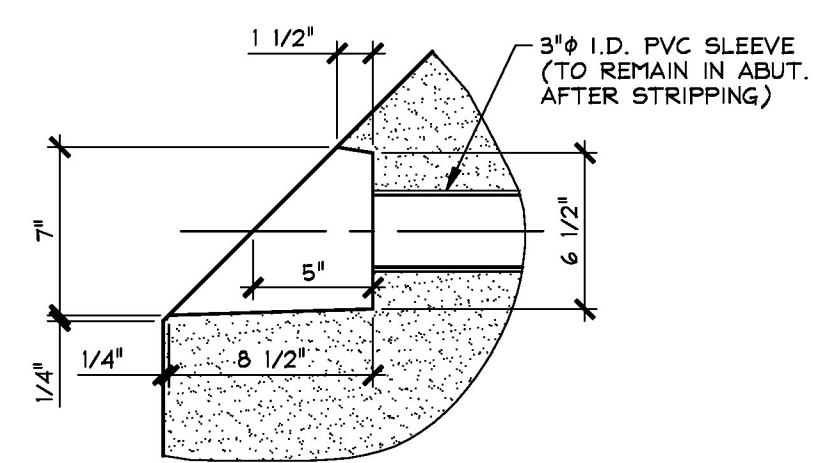
1 DIMENSIONAL PLAN VIEW IN FORM
PC5 AT BOTTOM OF FORM 3/4" = 1'-0"



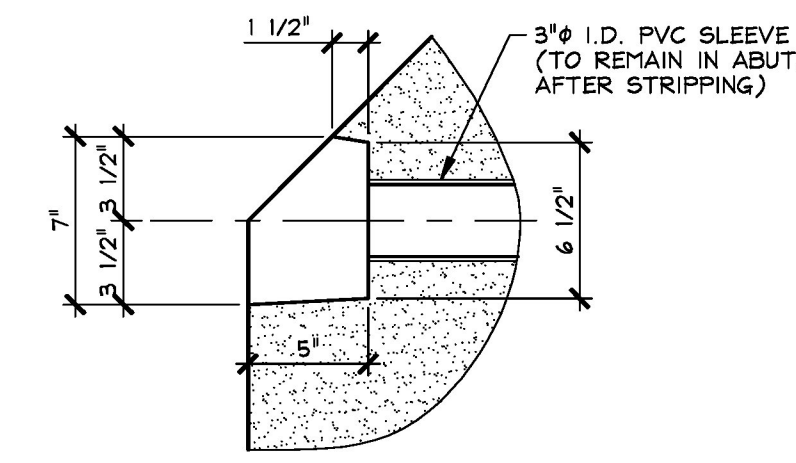
A DIMENSIONAL SECTION
PC5 3/4" = 1'-0"



DETAIL - "B"
1 1/2" = 1'-0"



DETAIL - "C"
1 1/2" = 1'-0"



DETAIL - "D"
1 1/2" = 1'-0"

Vermont Agency of Transportation
RECEIVED
ON: **May 10, 2016**
and Checked for
CONFORMANCE
BY: Rob Young DATE: 05/16/2016

Approved Approved As Noted
Rejected

This review is only for general conformance with the design concept and the information given in the Construction Documents. Corrections or comments made on the shop drawings during the review do not relieve the Contractor from compliance with the requirements of the Plans and Specifications. Review of a specific item shall not include review of an assembly of which an item is a component. The Contractor is responsible for dimensions to be confirmed and corrected at the job site; information that pertains solely to the fabrication process or to the means, methods, techniques, sequences and procedures of construction; coordination of the Work with that of other trades and performing all Work in a safe and satisfactory manner.

Date: 5/13/2016
By: D. Kull

McFarland Johnson

SHOP NOTE:
SEE DRAWING NO. "PC5.2" AND "PC5.3" ABUTMENT REINFORCING

SHOP NOTE:
28-DAY STRENGTH = 5,000 PSI
HANDLING STRENGTH = 4,000 PSI
MIX #245MSCC

MARK: MD-PC5		QTY.: 1	WT.: 22.65 T	VOL.: 11.19 cy
MATERIAL LIST / ABUTMENT				
ITEM	MARK	DESCRIPTION	QTY.	
1	MD-5015	#5 BENT BAR (STAINLESS STEEL)	13	
2	MD-6025	#5 BENT BAR (STAINLESS STEEL)	1	
3				
4	MD-6025	#6 BENT BAR (STAINLESS STEEL)	1	
5	MD-6035	#6 BENT BAR (STD. HOOK) (STAINLESS STEEL)	1	
6	MD-6085	#6 BENT BAR (STAINLESS STEEL)	13	
7	MD-6095	#6 BENT BAR (STAINLESS STEEL)	13	
8				
9		8" x 1'-6" CORRUGATED STEEL SLEEVE (GALV.)	2	
10		2'-0" x 8'-11 1/16" CORRUGATED STEEL SLEEVE (GALV.)	2	
11	MK-MD2	1 1/2" x 2'-1" SHEDGE HANCHOR BOLT W/ 5" THREADS (GALV.)	2	
12	MK-MD3	SOIL REINFORCING CONNECTION CLIP (HIGH ADHERENCE RIBBED STEEL REINFORCING STRIP) (GALV.)	25	
13	MK-MD4	NMB SPLICE SLEEVE 6U-X(PG) (EPOXY COATED)	28	
14	MK-MD16	SET OF (3) 0.60" STRAND LIFTING LOOPS	2	
15		90" x 1/4" SWIFT LIFT LIFTER (GALV.)	2	
16	MK-MD20	#6 x 10'-11" (S.S.) W/ THREADED END TO RECEIVE COUPLER	15	
17				
18				
19				
20				

5-10-16 REVISED AS NOTED AND OMIT PRECAST CHEEKWALL

APPROVAL STAMP:

J.P. CARRARA & SONS INC.
Precast & Prestress Manufacturer
2464 CASE STR., MIDDLEBURY, VERMONT 05753 Phone: (802)388-6361 Fax: (802)388-9010

A.L. ST. ONGE CONTRACTOR, INC.
CONTRACTOR
MONTGOMERY, VERMONT

STATE OF VERMONT AGENCY OF TRANSPORTATION
COUNTY OF WINDSOR

TOWN OF WAITSFIELD
VT ROUTE 100 (MINOR ARTERIAL)
BRIDGE NO.: 177 PROJECT NO.: BRP 013-4(39)

DATE: JAN. 12, 2016
SCALE: NOTED
CHKD: - DFTM: B.L.
JOB NO: 23480-016
DWG. NO: **PC5**

PRECAST ABUTMENT STEM
DIMENSIONAL PLAN, SECTIONS & DETAILS