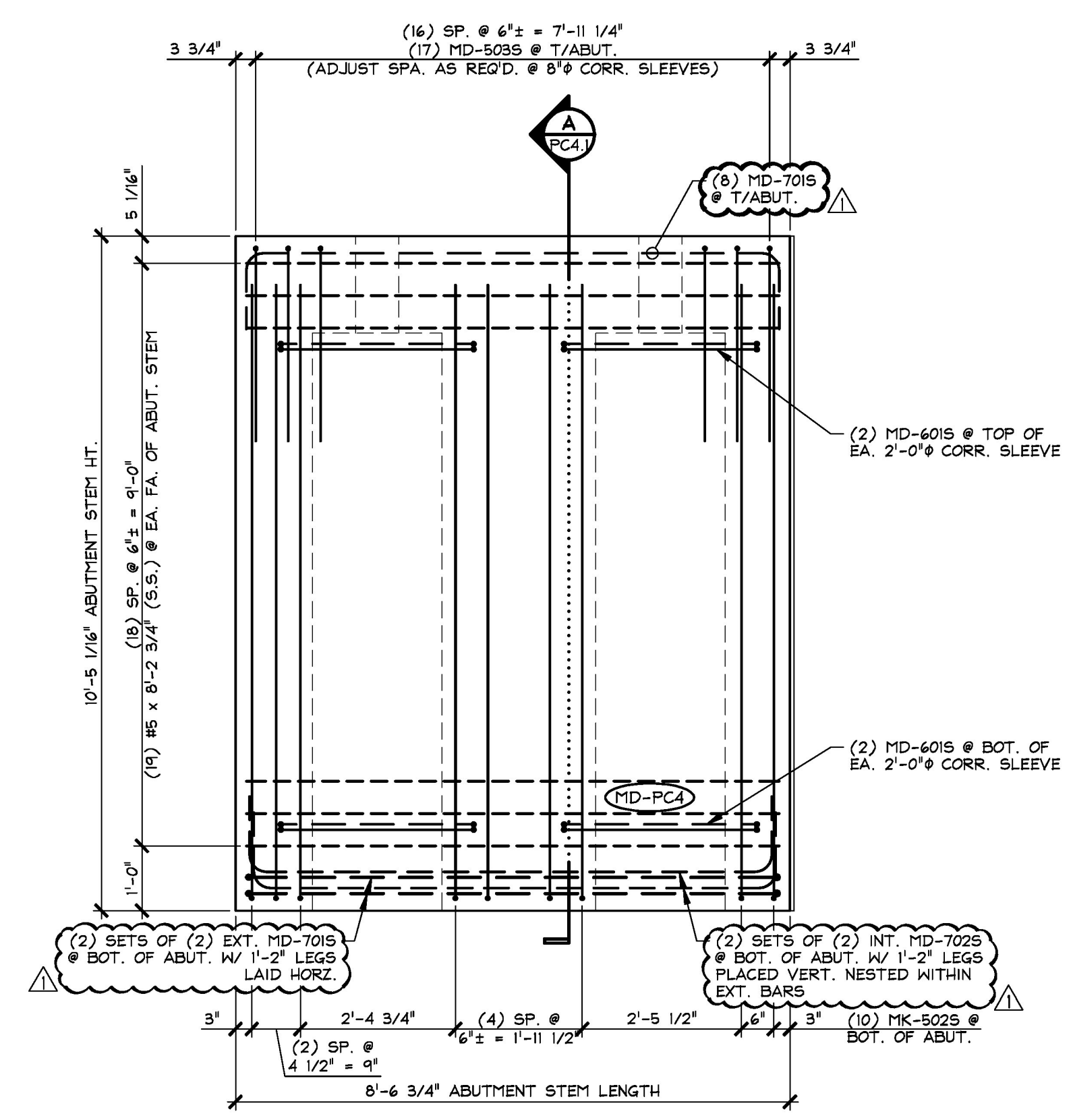
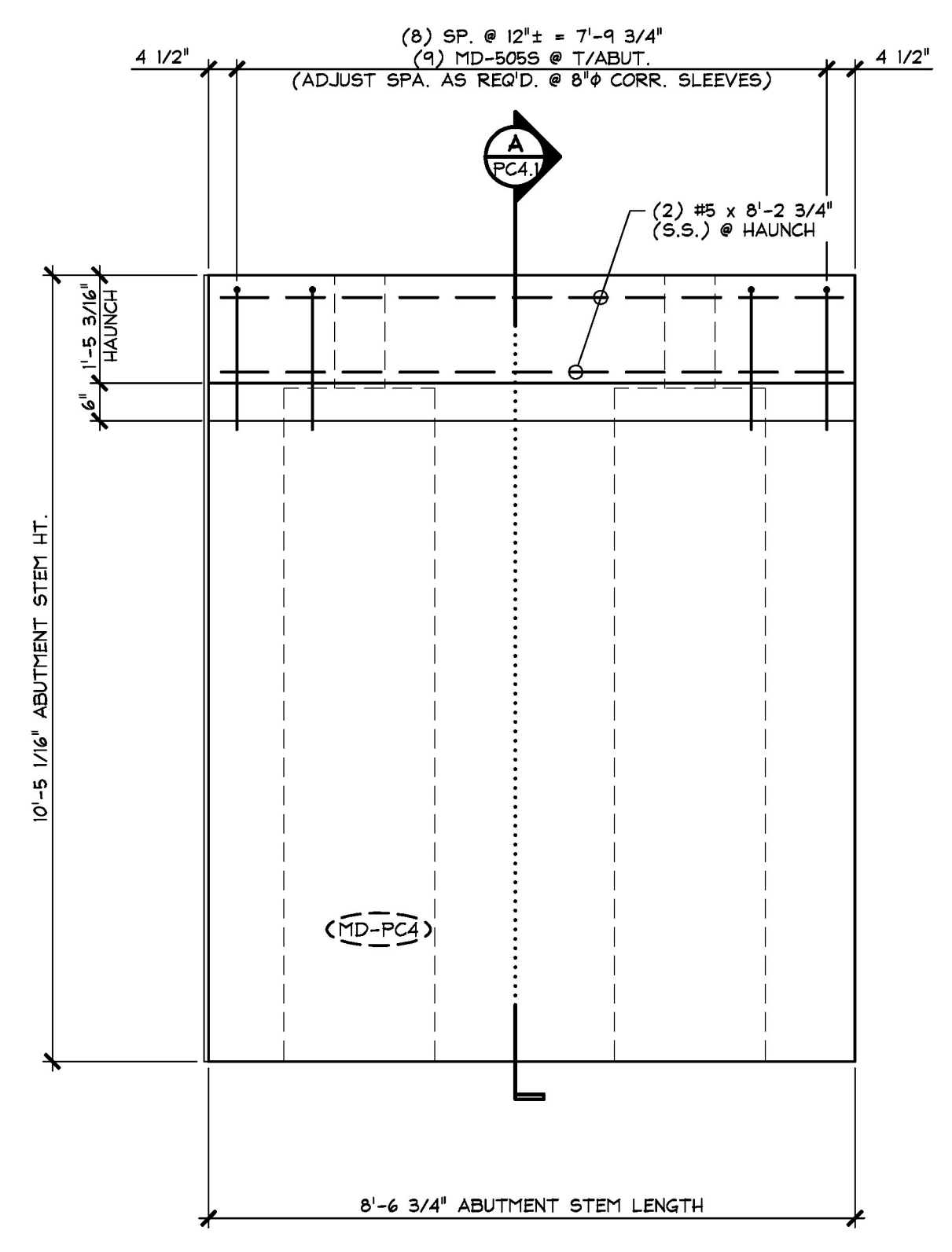


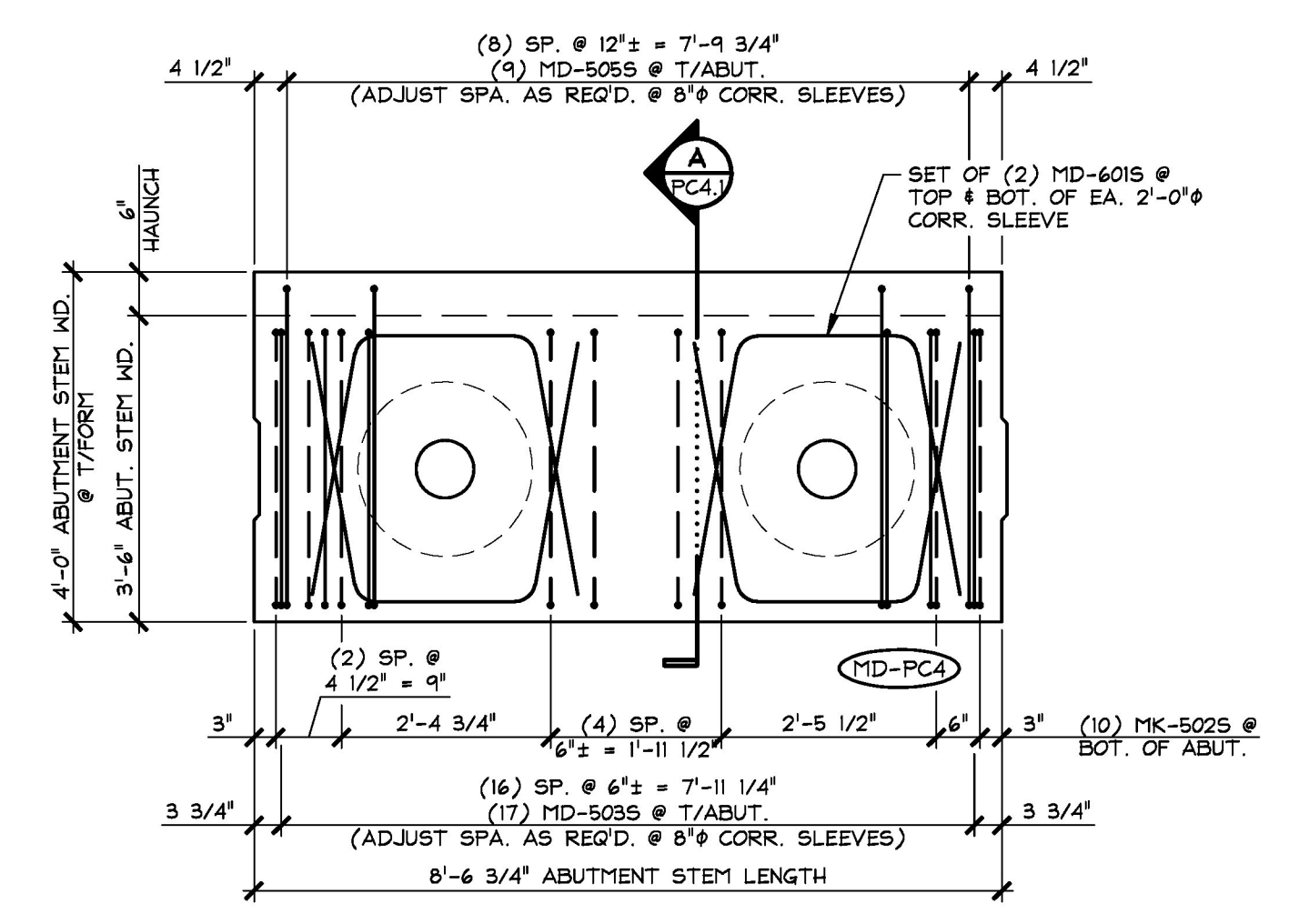
**A REINFORCING SECTION**  
PC4.1 3/4" = 1'-0"



**1 REINFORCING ELEVATION**  
PC4.1 MARK FACE 1/2" = 1'-0"



**2 REINFORCING ELEVATION**  
PC4.1 NON-MARK FACE 1/2" = 1'-0"



**3 REINFORCING PLAN VIEW IN FORM**  
PC4.1 LONGITUDINAL REINFORCING NOT SHOWN FOR CLARITY 1/2" = 1'-0"

Vermont Agency of Transportation  
**RECEIVED**  
ON: **May 10, 2016**  
and Checked for  
**CONFORMANCE**  
BY: Rob Young DATE: 05/16/2016

**SHOP NOTE:**  
ADJUST REINFORCING AS REQUIRED TO CLEAR SLEEVES, ANCHOR BOLTS, PROJECTING BARS, INSERTS, ETC.

Approved  Rejected  Approved As Noted   
Date: 5/13/2016  
By: D. Kull  
McFarland Johnson

MATERIAL LIST / ABUTMENT			
ITEM	MARK	DESCRIPTION	QTY.
1	MD-5025	#5 BENT BAR (STAINLESS STEEL)	10
2	MD-5035	#5 BENT BAR (STAINLESS STEEL)	17
3	MD-5055	#5 BENT BAR (STAINLESS STEEL)	9
4		#5 x 8'-2 3/4" (STAINLESS STEEL)	40
5			
6	MD-6015	#6 BENT BAR (STAINLESS STEEL)	8
7			
8	MD-7015	#7 BENT BAR (STAINLESS STEEL)	12
9	MD-7025	#7 BENT BAR (STAINLESS STEEL)	4
10			

5-10-16 REVISED AS NOTED

APPROVAL STAMP:	<b>J.P. CARRARA &amp; SONS INC.</b> Precast & Prestress Manufacturer 2464 CASE STR., MIDDLEBURY, VERMONT 05753 Phone: (802)388-6361 Fax: (802)388-9010	<b>A.L. ST. ONGE CONTRACTOR, INC.</b> CONTRACTOR MONTGOMERY, VERMONT
	STATE OF VERMONT AGENCY OF TRANSPORTATION COUNTY OF WINDSOR	
	TOWN OF WAITSFIELD VT ROUTE 100 (MINOR ARTERIAL) BRIDGE NO.: 177 PROJECT NO.: BRP 013-4(39)	
	PRECAST ABUTMENT STEM REINFORCING DETAILS	
	DATE: JAN. 12, 2016	
	SCALE: NOTED	
	CHKD: - DFTM: B.L.	
	JOB NO: 23480-016	
	DWG. NO: PC4.1	