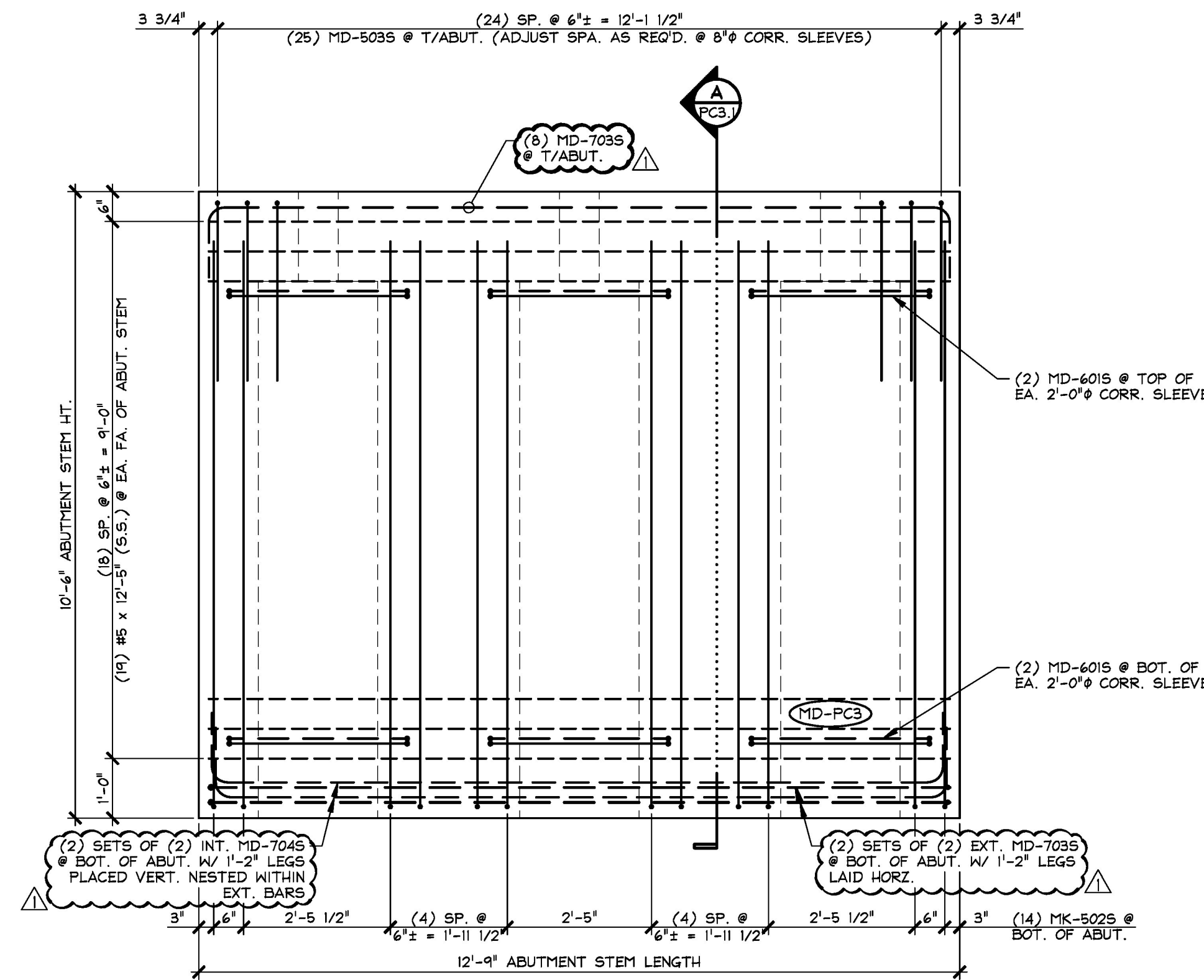
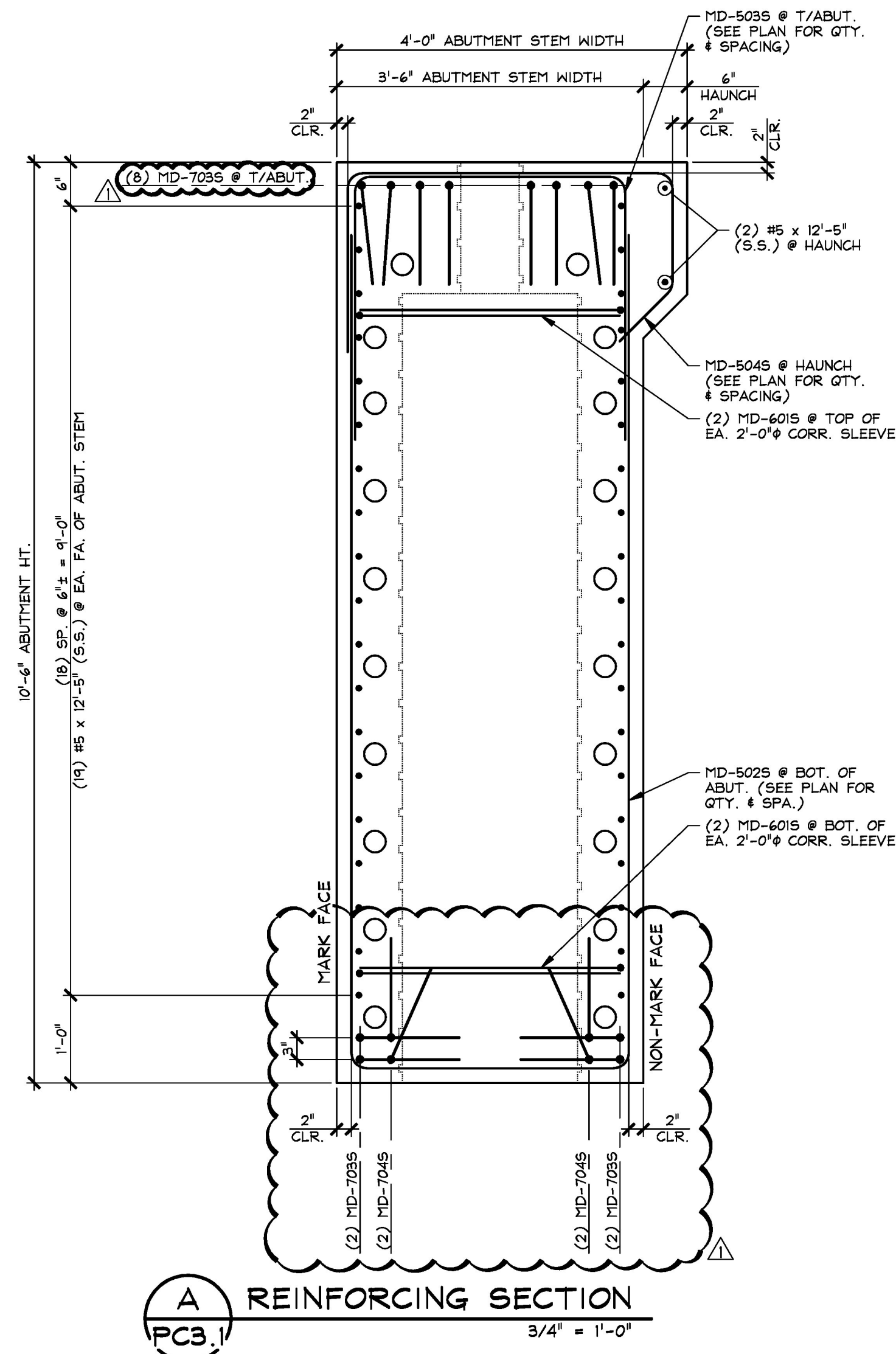
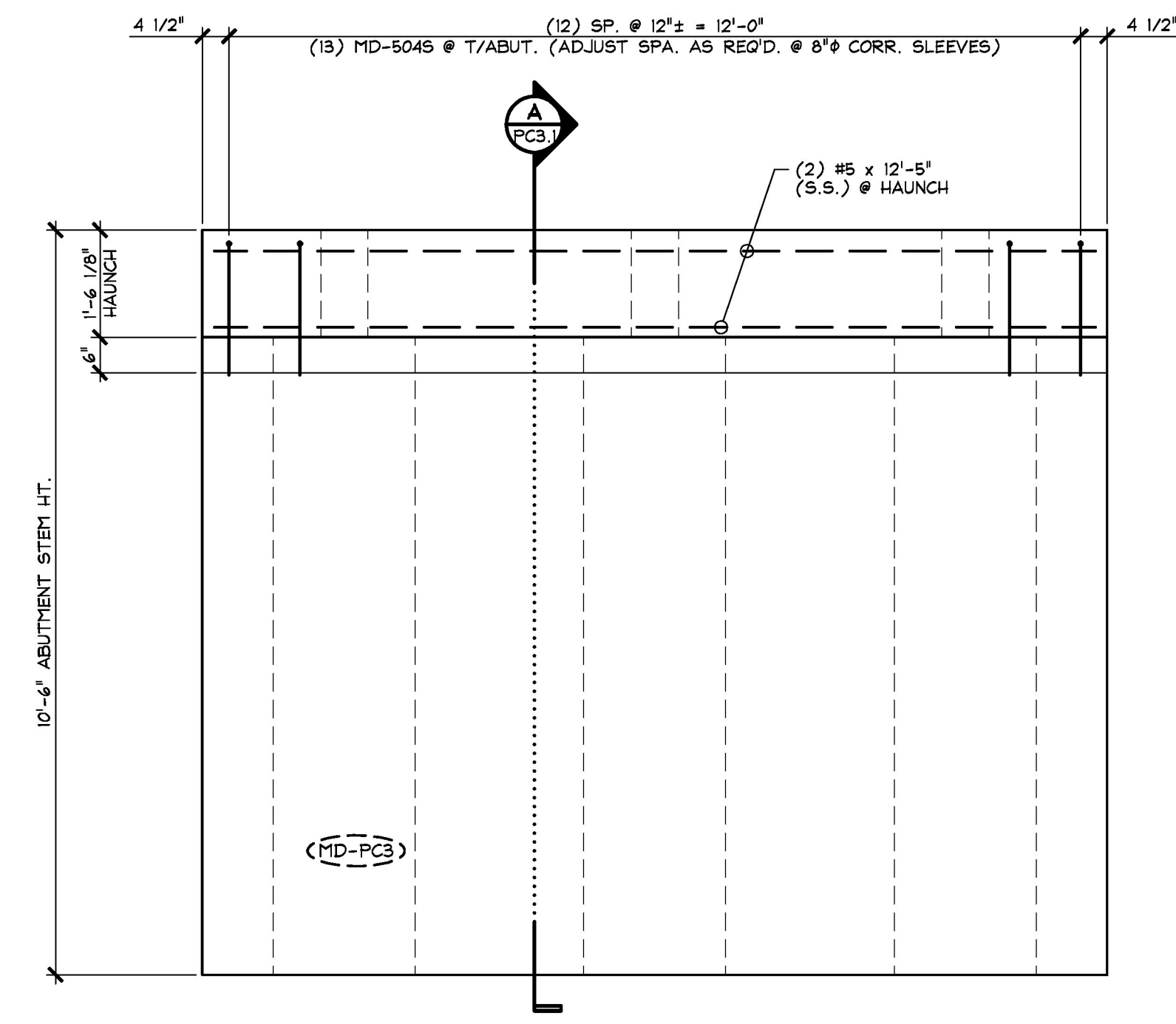


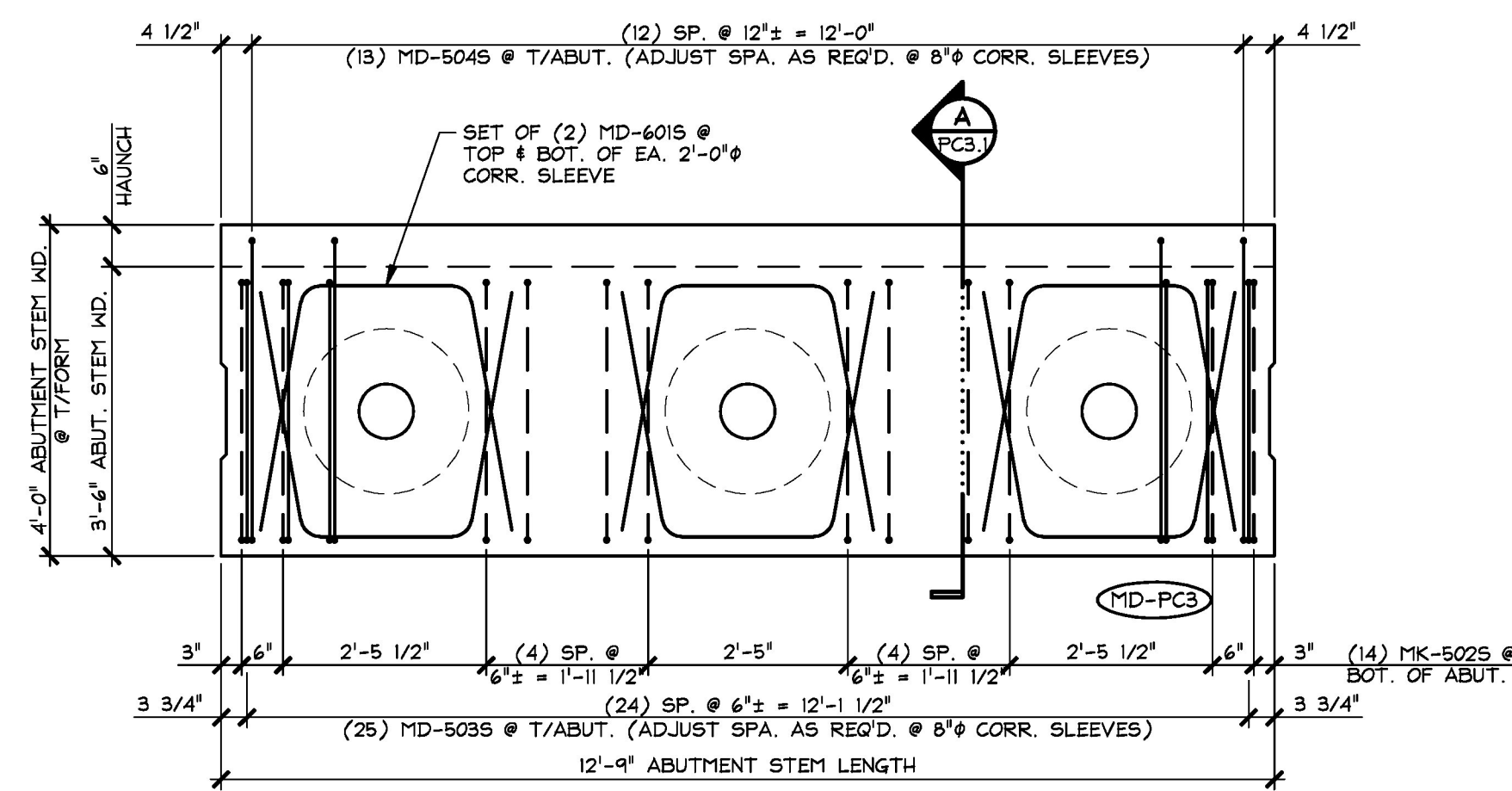
F:\VT-Bridges\23480-15 Waitfield\23480-PC3-1.dwg, 5/10/2016 10:42:14 AM



1 REINFORCING ELEVATION
PC3.1 MARK FACE 1/2" = 1'-0"



2 REINFORCING ELEVATION
PC3.1 NON-MARK FACE 1/2" = 1'-0"



3 REINFORCING PLAN VIEW IN FORM
PC3.1 LONGITUDINAL REINFORCING NOT SHOWN FOR CLARITY 1/2" = 1'-0"

SHOP NOTE:
ADJUST REINFORCING AS REQUIRED TO CLEAR SLEEVES, ANCHOR BOLTS, PROJECTING BARS, INSERTS, ETC.

Approved Approved As Noted
Rejected

This review is only for general conformance with the design concept and the information given in the Construction Documents. Corrections or comments made on the shop drawings during the review do not relieve the Contractor from compliance with the requirements of the Plans and Specifications. Review of a specific item shall not include review of an assembly of which an item is a component. The Contractor is responsible for dimensions to be confirmed and corrected at the job site; information that pertains solely to the fabrication process or to the means, methods, techniques, sequences and procedures of construction; coordination of the Work with that of other trades and performing all Work in a safe and satisfactory manner.

Date: 5/13/2016
By: D. Kull

MATERIAL LIST / ABUTMENT			
ITEM	MARK	DESCRIPTION	QTY.
1	MD-5025	#5 BENT BAR (STAINLESS STEEL)	14
2	MD-5035	#5 BENT BAR (STAINLESS STEEL)	25
3	MD-5045	#5 BENT BAR (STAINLESS STEEL)	13
4		#5 x 12'-5" (STAINLESS STEEL)	40
5			
6	MD-6015	#6 BENT BAR (STAINLESS STEEL)	12
7			
8	MD-7035	#7 BENT BAR (STAINLESS STEEL)	12
9	MD-7045	#7 BENT BAR (STAINLESS STEEL)	4
10			

5-10-16 REVISED AS NOTED

Vermont Agency of Transportation
RECEIVED
ON: May 10, 2016
and Checked for
CONFORMANCE
BY: Rob Young DATE: 05/16/2016

APPROVAL STAMP:	J.P. CARRARA & SONS INC. Precast & Prestress Manufacturer 2464 CASE STR., MIDDLEBURY, VERMONT 05753 Phone: (802)388-6361 Fax: (802)388-9010		A.L. ST. ONGE CONTRACTOR, INC. CONTRACTOR MONTGOMERY, VERMONT	
	STATE OF VERMONT AGENCY OF TRANSPORTATION COUNTY OF WINDSOR		DATE: JAN. 12, 2016 SCALE: NOTED	
	TOWN OF WAITSFIELD VT ROUTE 100 (MINOR ARTERIAL) BRIDGE NO.: 177 PROJECT NO.: BRP 013-4(39)		CHKD: - DFTM: B.L. JOB NO: 23480-016	
	PRECAST ABUTMENT STEM REINFORCING DETAILS		DWG. NO: PC3.1	