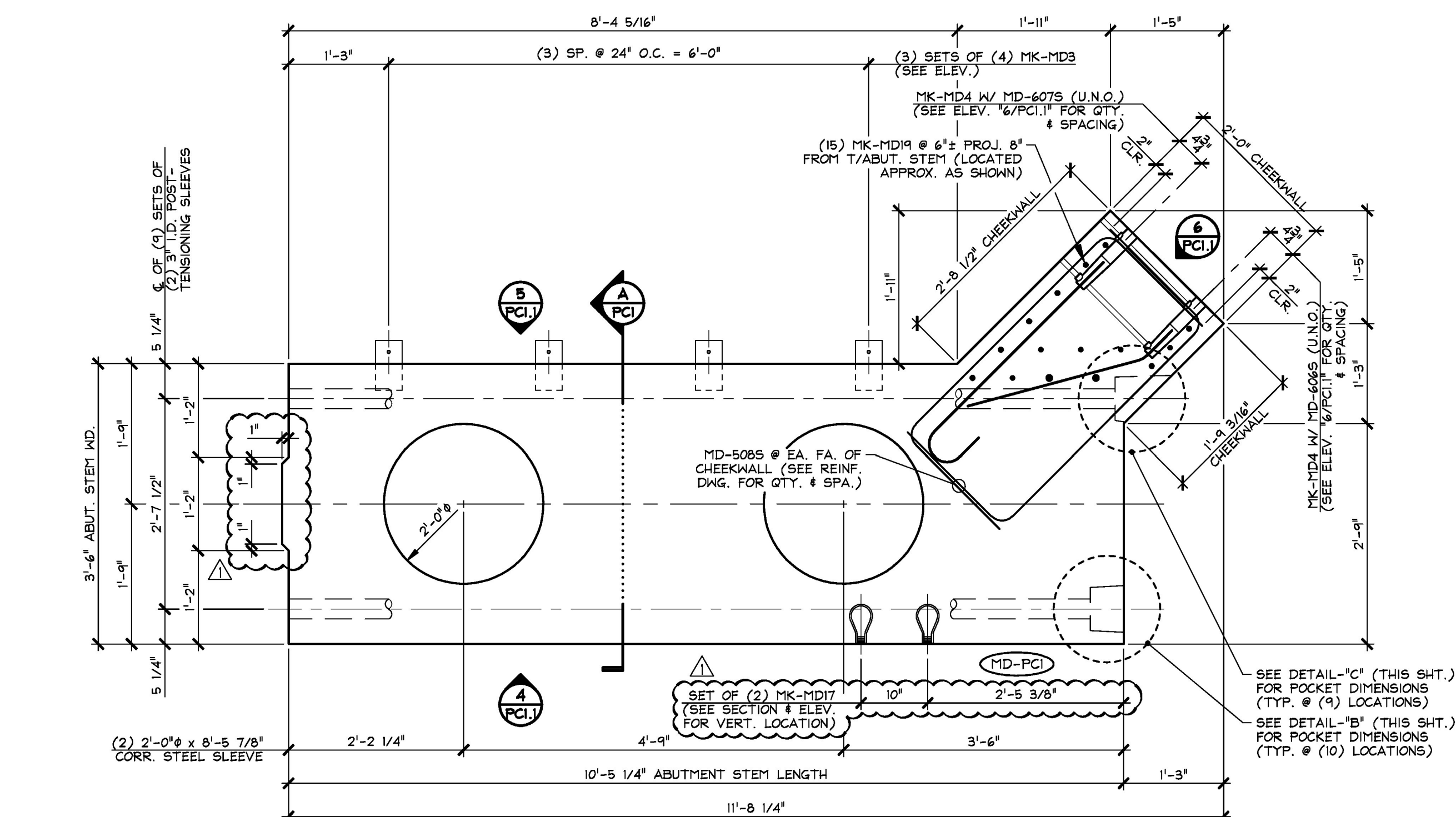
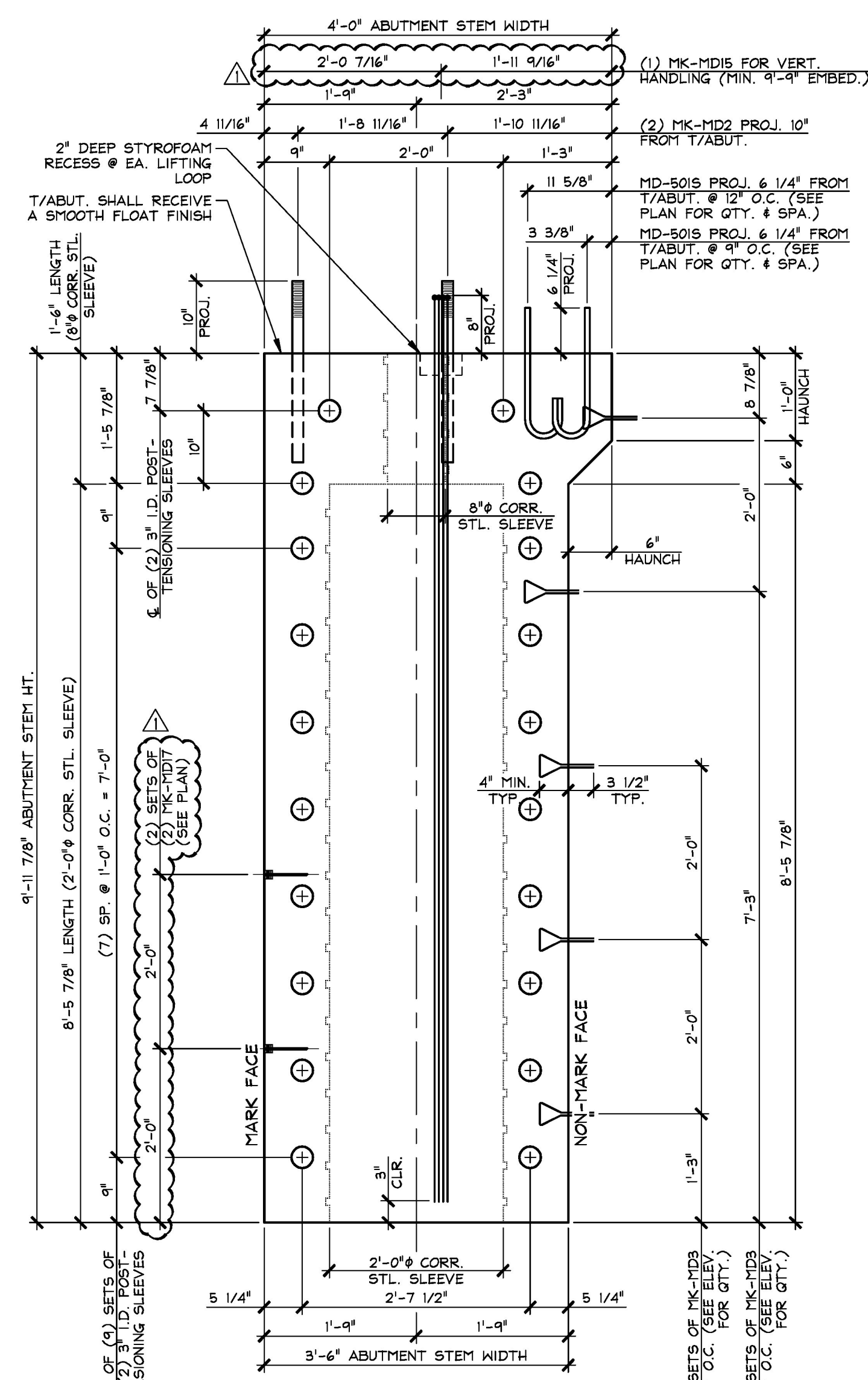


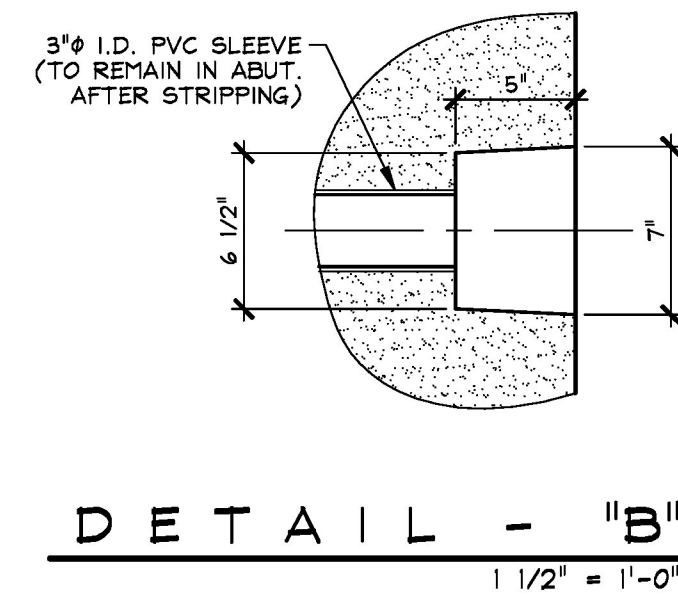
2 DIMENSIONAL PLAN VIEW IN FORM
PCI AT TOP OF ABUTMENT STEM
3/4" = 1'-0"



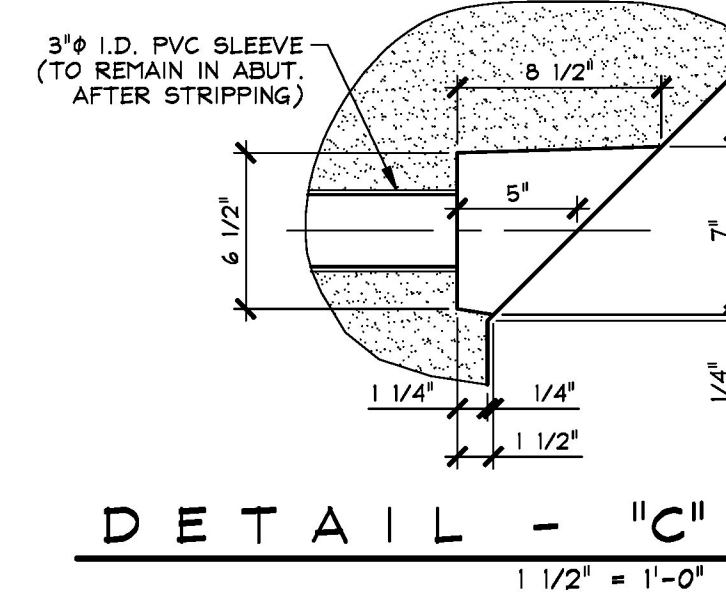
1 DIMENSIONAL PLAN VIEW IN FORM
PCI AT BOTTOM OF FORM
3/4" = 1'-0"



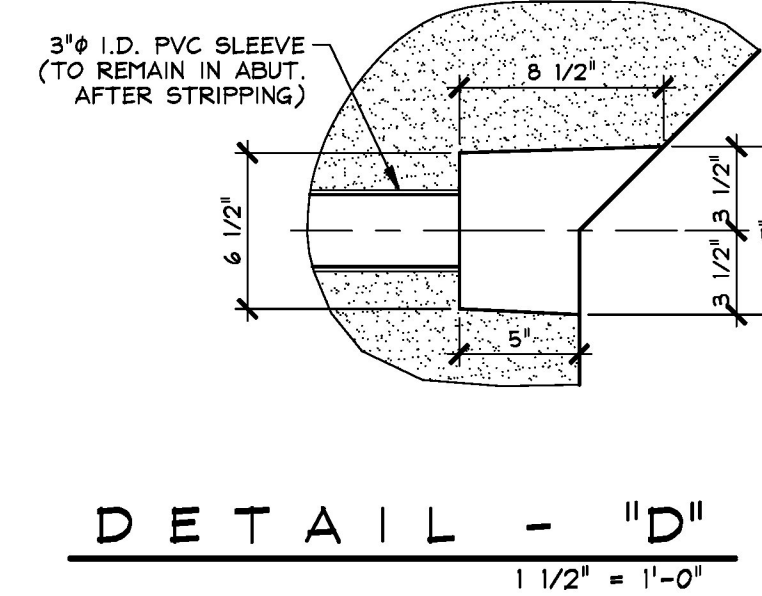
A DIMENSIONAL SECTION
PCI
3/4" = 1'-0"



DETAIL - "B"
1 1/2" = 1'-0"



DETAIL - "C"
1 1/2" = 1'-0"



DETAIL - "D"
1 1/2" = 1'-0"

Vermont Agency of Transportation
RECEIVED
ON: **May 10, 2016**
and Checked for
CONFORMANCE
BY: Rob Young DATE: 05/16/2016

Approved	X	Approved As Noted
Rejected		

This review is only for general conformance with the design concept and the information given in the Construction Documents. Corrections or comments made on the shop drawings during the review do not relieve the Contractor from compliance with the requirements of the Plans and Specifications. Review of a specific item shall not include review of an assembly of which an item is a component. The Contractor is responsible for dimensions to be confirmed and corrected at the job site; information that pertains solely to the fabrication process or to the means, methods, techniques, sequences and procedures of construction; coordination of the Work with that of other trades and performing all Work in a safe and satisfactory manner.

Date: 5/13/2016
By: D. Kull

McFarland Johnson

SHOP NOTE:
SEE DRAWING NO. "PCI.2" AND "PCI.3" ABUTMENT REINFORCING

SHOP NOTE:
28-DAY STRENGTH = 5,000 PSI
HANDLING STRENGTH = 3,500 PSI
MIX #445MCC

ITEM	MARK	DESCRIPTION	QTY.
1	MD-5015	#5 BENT BAR (STAINLESS STEEL)	19
2	MD-6025	#6 BENT BAR (STAINLESS STEEL)	1
3	MD-6025	#6 BENT BAR (STAINLESS STEEL)	1
4	MD-6025	#6 BENT BAR (STAINLESS STEEL)	1
5	MD-6025	#6 BENT BAR (STD. HOOK) (STAINLESS STEEL)	1
6	MD-6065	#6 BENT BAR (STAINLESS STEEL)	12
7	MD-6075	#6 BENT BAR (STD. HOOK) (STAINLESS STEEL)	12
8			
9		8" x 1'-6" CORRUGATED STEEL SLEEVE (GALV.)	2
10		2'-0" x 8'-5 7/8" CORRUGATED STEEL SLEEVE (GALV.)	2
11	MK-MD2	1 1/2" x 2'-1" SHEDGE HANCHOR BOLT W/ 5" THREADS (GALV.)	2
12	MK-MD3	SOIL REINFORCING CONNECTION CLIP (HIGH ADHERENCE RIBBED STEEL REINFORCING STRIP) (GALV.)	26
13	MK-MD4	NMB SPLICE SLEEVE 6U-X(PG) (EPOXY COATED)	26
14	MK-MD15	SET OF (4) 0.60" STRAND LIFTING LOOPS	2
15			
16	MK-MD17	DAYTON 7/8" F-42 LOOP FERRULE INSERT (GALV.)	4
17	MK-MD19	#6 x 10'-5 1/2" (S.S.) W/ THREADED END TO RECEIVE COUPLER	15
18			
19			
20			

5-10-16 REVISED AS NOTED AND OMIT PRECAST CHEEKWALL

APPROVAL STAMP:

J.P. CARRARA & SONS INC. Precast & Prestress Manufacturer 2464 OSE STR., MIDDLEBURY, VERMONT 05753 Phone: (802)388-6361 Fax: (802)388-9010	A.L. ST. ONGE CONTRACTOR, INC. CONTRACTOR MONTGOMERY, VERMONT
STATE OF VERMONT AGENCY OF TRANSPORTATION COUNTY OF WINDSOR	DATE: JAN. 12, 2016 SCALE: NOTED
TOWN OF WAITSFIELD VT ROUTE 100 (MINOR ARTERIAL) BRIDGE NO.: 177 PROJECT NO.: BRP 013-4(39)	CHKD: - DFTM: B.L. JOB NO: 23480-016
PRECAST ABUTMENT STEM DIMENSIONAL PLAN, SECTIONS & DETAILS	DWG. NO: PCI