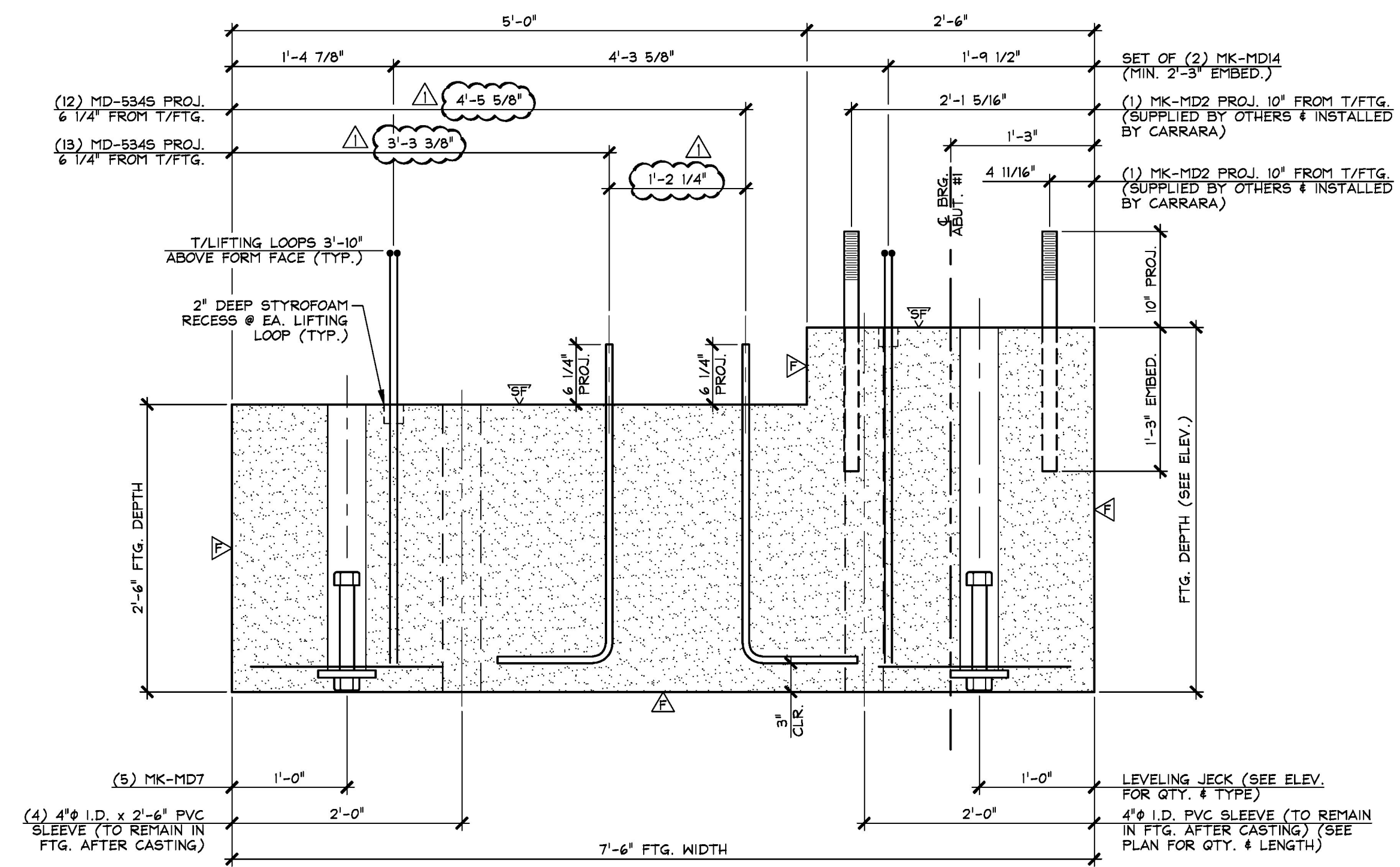
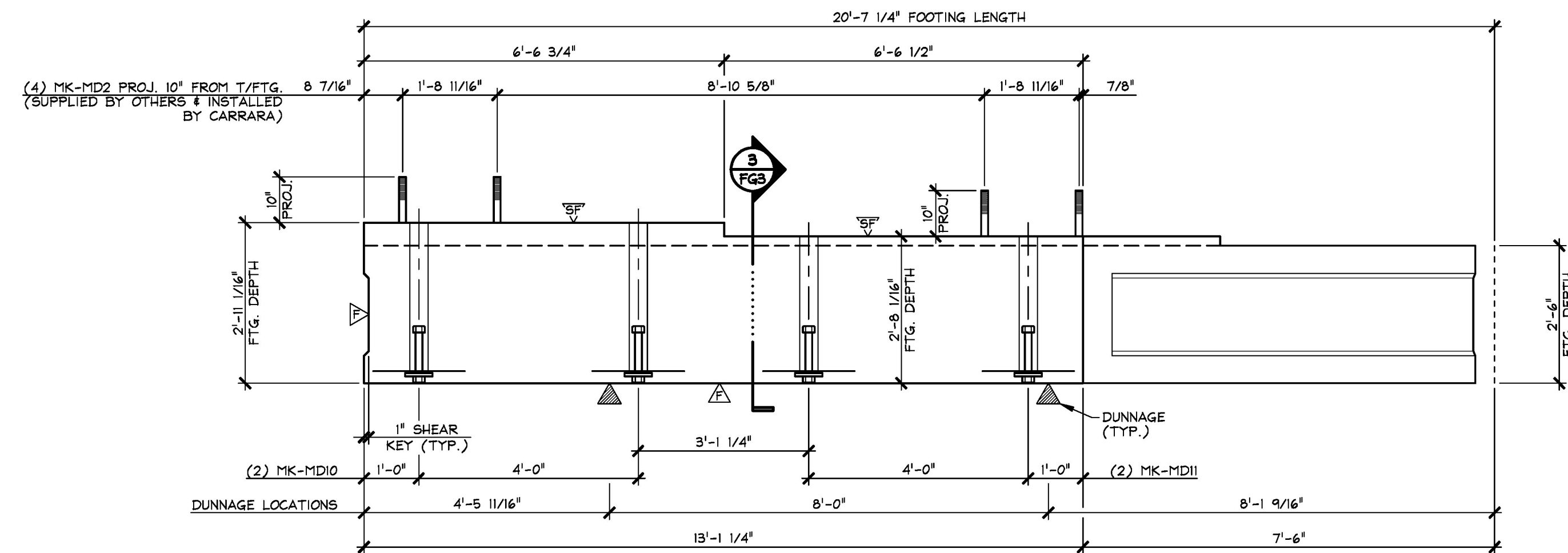


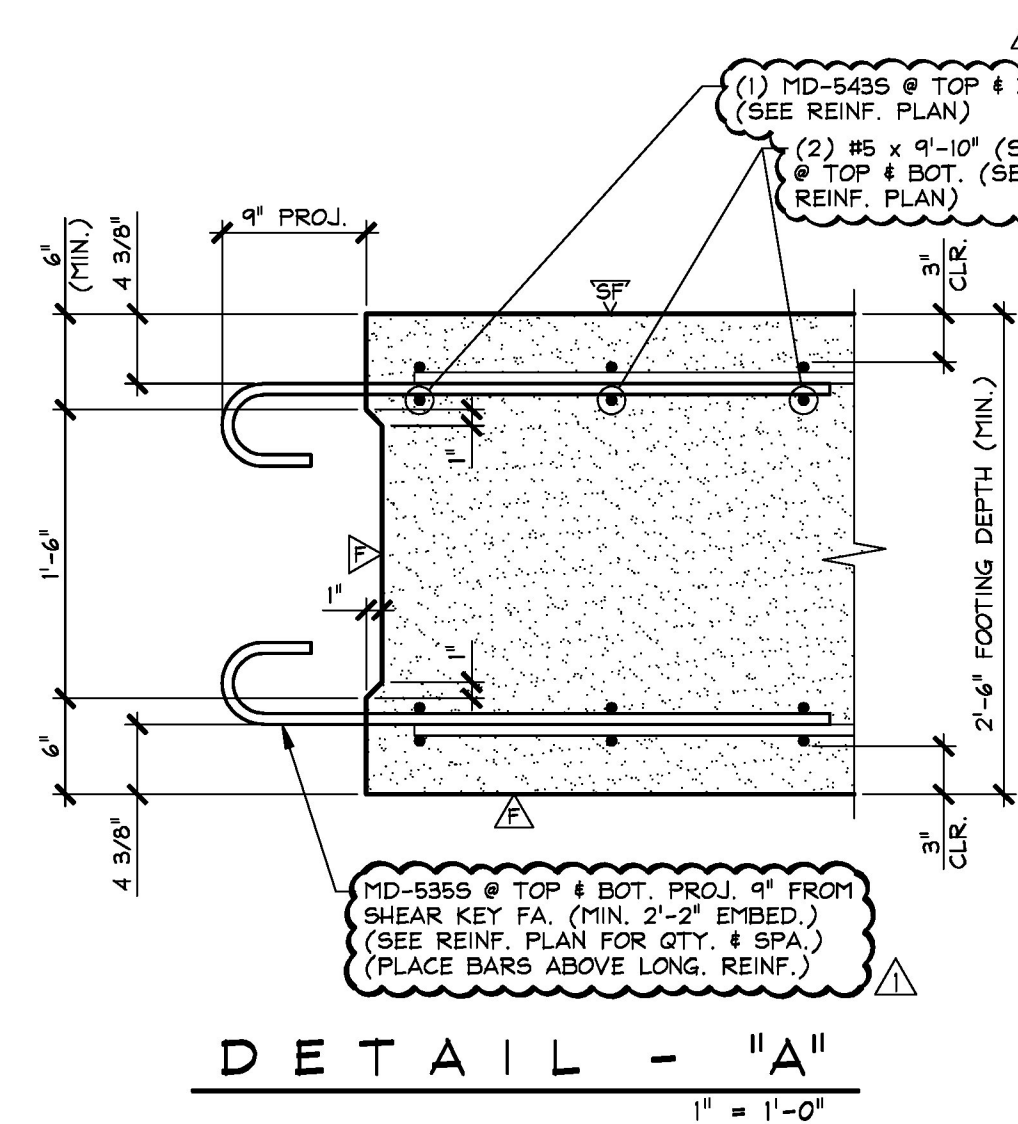
1 DIMENSIONAL PLAN VIEW IN FORM
FG3
1/2" = 1'-0"



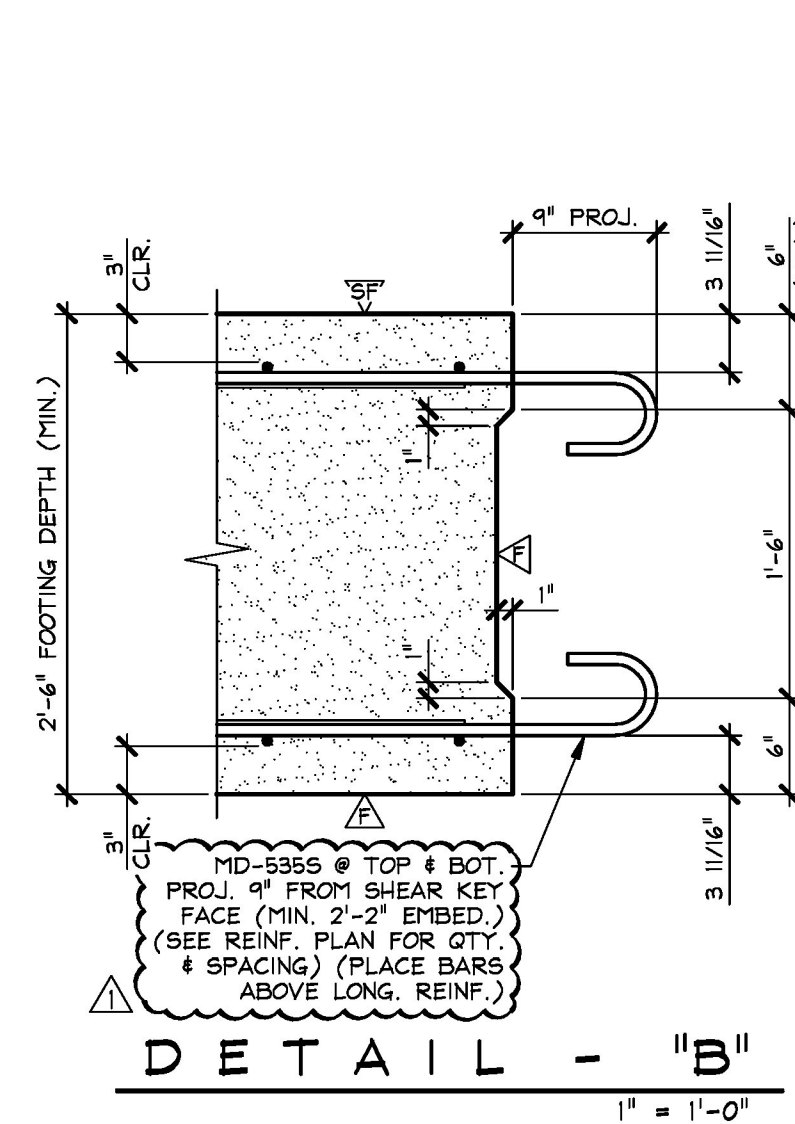
3 DIMENSIONAL SECTION
FG3
1" = 1'-0"



2 DIMENSIONAL ELEVATION
FG3
1/2" = 1'-0"



DETAIL - "A"
1" = 1'-0"



DETAIL - "B"
1" = 1'-0"

SHOP NOTE:
SEE DRAWING NO. "FG3.1"
FOOTING REINFORCING

SHOP NOTE:
28-DAY STRENGTH = 7,000 PSI
HANDLING STRENGTH = 5,500 PSI
MIX #426M

MARK: MD-FG3 QTY.: 1 WT.: 23.90 T VOL.: 11.80 cy

MATERIAL LIST / FOOTING			
ITEM	MARK	DESCRIPTION	QTY.
1	MD-5345	#5 BENT BAR (STAINLESS STEEL)	36
2			
3			
4	MK-MD2	1 1/2" x 2'-1" SHEDGE HANCHOR BOLT W/ 5" THREADS (GALV.)	4
5	MK-MD7	LEVELING JACK ASSEMBLY	5
6	MK-MD10	LEVELING JACK ASSEMBLY	2
7	MK-MD11	LEVELING JACK ASSEMBLY	2
8	MK-MD14	SET OF (2) 1/2" STRAND LIFTING LOOPS	4
9		4" I.C. x 2'-6" PVC SLEEVE	6
10		4" I.C. x 2'-1" PVC SLEEVE	3
11		4" I.C. x 2'-8" PVC SLEEVE	4
12			
13			
14			
15			

Approved _____ X Approved As Noted _____
Rejected _____

This review is only for general conformance with the design concept and the information given in the Construction Documents. Corrections or comments made on the shop drawings during the review do not relieve the Contractor from compliance with the requirements of the Plans and Specifications. Review of a specific item shall not include review of an assembly of which an item is a component. The Contractor is responsible for dimensions to be confirmed and corrected at the job site; information that pertains solely to the fabrication process or to the means, methods, techniques, sequences and procedures of construction; coordination of the Work with that of other trades and performing all Work in a safe and satisfactory manner.

Vermont Agency of Transportation
RECEIVED
ON: May 10, 2016
and Checked for
CONFORMANCE
BY: Rob Young DATE: 05/18/2016

McFarland Johnson
Date: 5/13/2016
By: D. Kull

5-10-16 REVISED AS NOTED

APPROVAL STAMP:

J.P. CARRARA & SONS INC.
Precast & Prestress Manufacturer
2464 OSE STR., MIDDLEBURY, VERMONT 05753 Phone: (802)388-6361 Fax: (802)388-9010

A.L. ST. ONGE CONTRACTOR, INC.
CONTRACTOR
MONTGOMERY, VERMONT

STATE OF VERMONT AGENCY OF TRANSPORTATION
COUNTY OF WINDSOR

TOWN OF WAITSFIELD
VT ROUTE 100 (MINOR ARTERIAL)
BRIDGE NO.: 177 PROJECT NO.: BRP 013-4(39)

DATE: JAN. 12, 2016
SCALE: NOTED
CHKD: - DFTM: B.L.
JOB NO: 23480-016
DWG. NO: **FG3**

**PRECAST FOOTING
DIMENSIONAL DETAILS**