

△ DENOTES FORM FINISH  
 ▽ DENOTES SMOOTH FLOAT FINISH  
 ▽ DENOTES ROUGHENED SURFACE TO PROVIDE AN 1/8" AMPLITUDE EXPOSED AGGREGATE PROFILE. UTILIZE A SURFACE RETARDER WITH WATER BLAST, SAND BLAST, OR A COMBINATION OF BOTH TO ACHIEVE THE DESIRED SHEAR KEY SURFACE FINISH.

**SHOP NOTE:**  
 28-DAY STRENGTH = 5,000 PSI  
 HANDLING STRENGTH = 3,500 PSI  
 MIX #445MSCC

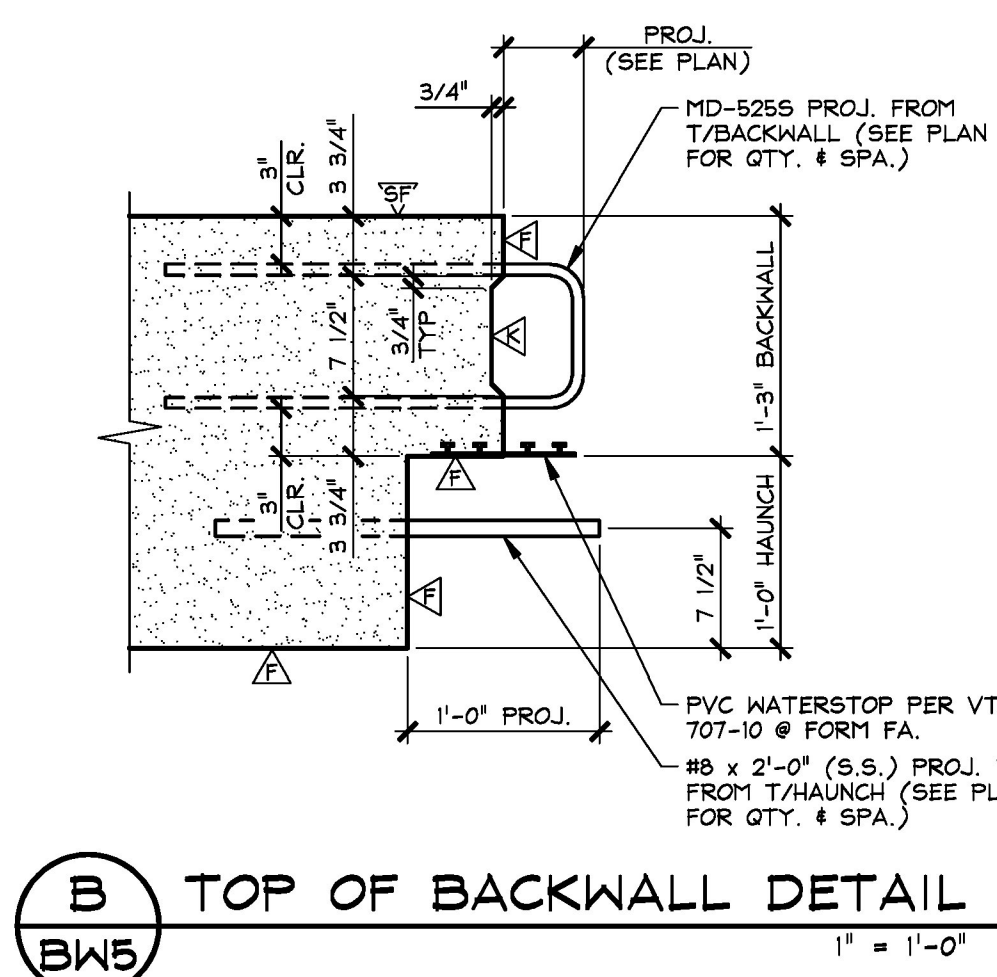
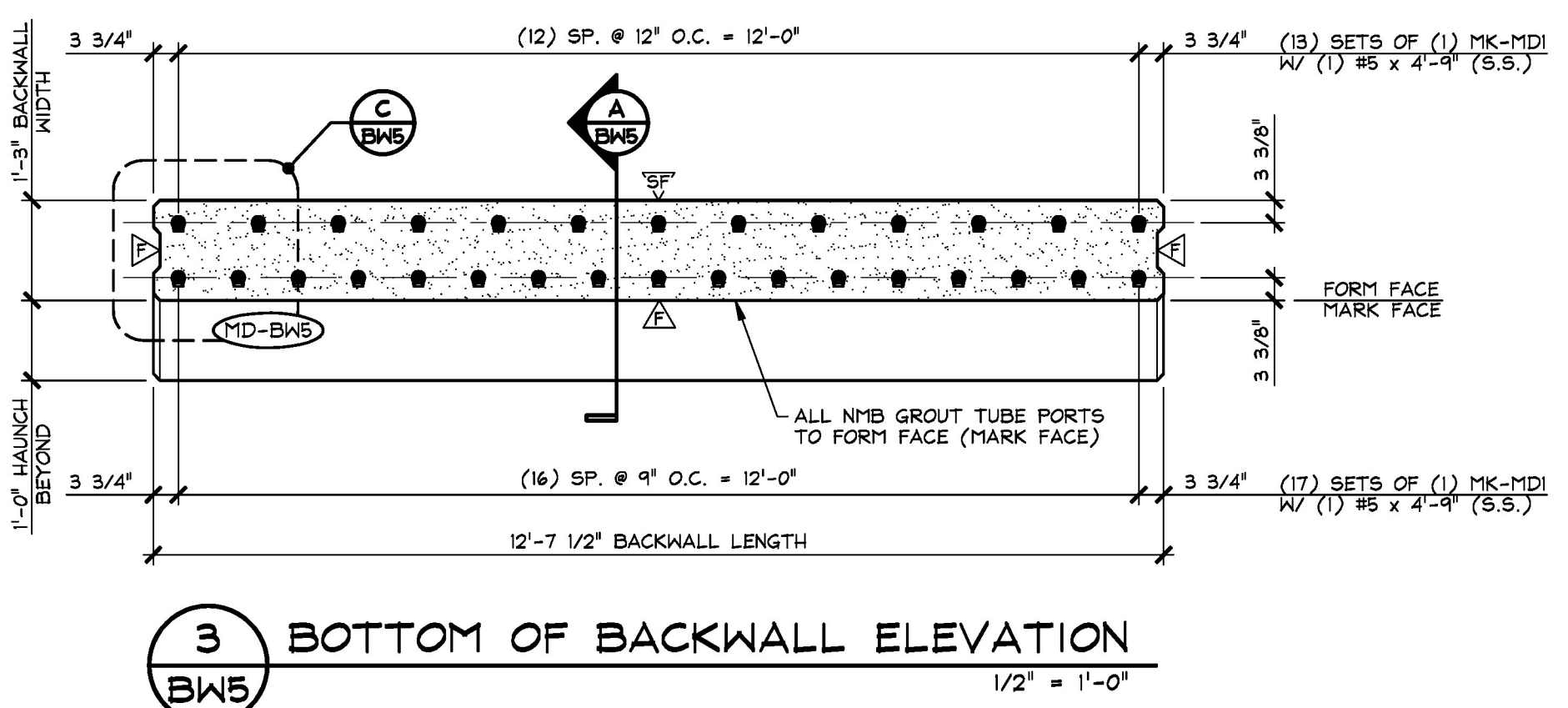
MARK:	MD-BW5	QTY.:	1	WT.:	8.63 T	VOL.:	4.26 cy
MATERIAL LIST / BACKWALL							
ITEM	MARK	DESCRIPTION	QTY.				
1	MD-5255	#5 BENT BAR (STAINLESS STEEL)	13				
2	MD-5265	#5 BENT BAR (STAINLESS STEEL)	13				
3		#5 x 4'-9" (STAINLESS STEEL)	30				
4		#5 x 12'-2" (STAINLESS STEEL)	16				
5							
6		#8 x 2'-0" (STAINLESS STEEL)	7				
7							
8							
9							
10							
11	MK-MDI	NMB SPLICE SLEEVE 5U-X(PG) (EPOXY COATED)	30				
12	MK-MDS	E 1/2" x 6" x 4" W/ ANCHORS (GALV.) (SUPPLIED BY OTHERS)	1				
13		10"x10"					
14		P.V.C. WATERSTOP PER VTAOT 707-10 (SUPPLIED BY OTHERS)	12.63 LF				
15							
16		4T x 7 1/8" SWIFT LIFT LIFTER (GALV.)	4				
17		8T x 13 3/8" SWIFT LIFT LIFTER (GALV.)	2				
18							
19							
20							

Vermont Agency of Transportation  
**RECEIVED**  
 ON: May 10, 2016  
 and Checked for  
**CONFORMANCE**  
 BY: Rob Young DATE: 05/16/2016

Approved \_\_\_\_\_ X Approved As Noted \_\_\_\_\_  
 Rejected \_\_\_\_\_

This review is only for general conformance with the design concept and the information given in the Construction Documents. Corrections or comments made on the shop drawings during the review do not relieve the Contractor from compliance with the requirements of the Plans and Specifications. Review of a specific item shall not include review of an assembly of which an item is a component. The Contractor is responsible for dimensions to be confirmed and corrected at the job site; information that pertains solely to the fabrication process or to the means, methods, techniques, sequences and procedures of construction; coordination of the Work with that of other trades and performing all Work in a safe and satisfactory manner.

Date: 5/13/2016  
 By: D. Kull



APPROVAL STAMP:	<b>J.P. CARRARA &amp; SONS INC.</b> Precast & Prestress Manufacturer 2464 CASE STR., MIDDLEBURY, VERMONT 05753 Phone: (802)388-6361 Fax: (802)388-9010	A.L. ST. ONGE CONTRACTOR, INC. CONTRACTOR MONTGOMERY, VERMONT
	STATE OF VERMONT AGENCY OF TRANSPORTATION COUNTY OF WINDSOR	DATE: JAN. 12, 2016 SCALE: NOTED
	TOWN OF WAITSFIELD VT ROUTE 100 (MINOR ARTERIAL) BRIDGE NO.: 177 PROJECT NO.: BRP 013-4(39)	CHKD: - DFTM: B.L. JOB NO: 23480-016
	PRECAST BACKWALL DETAILS	DWG. NO: BW5