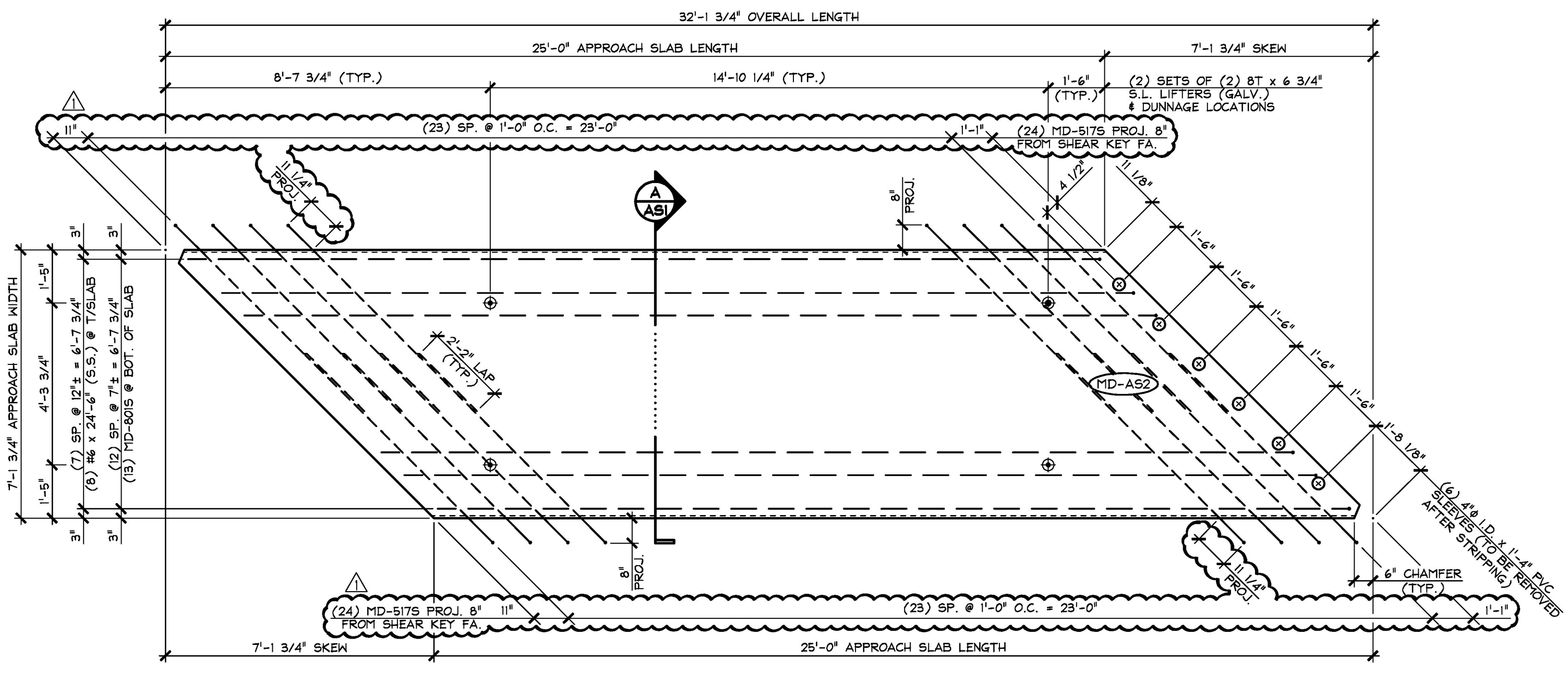
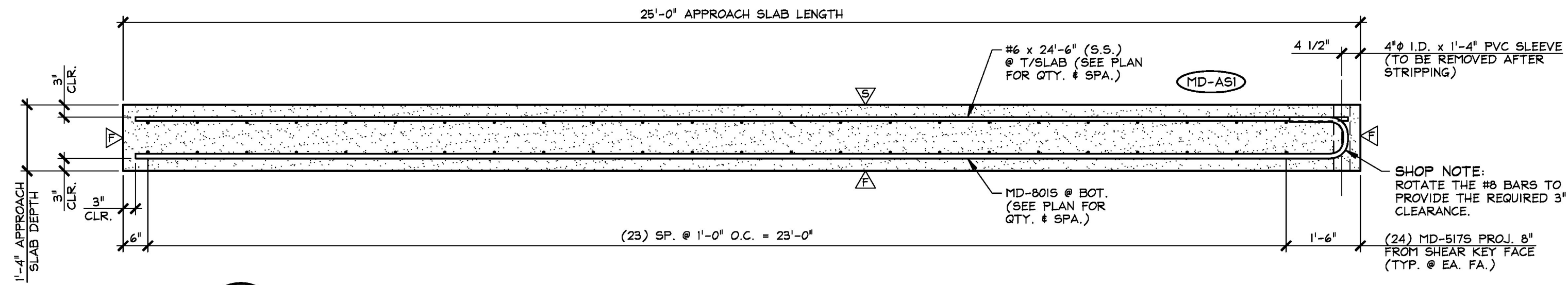


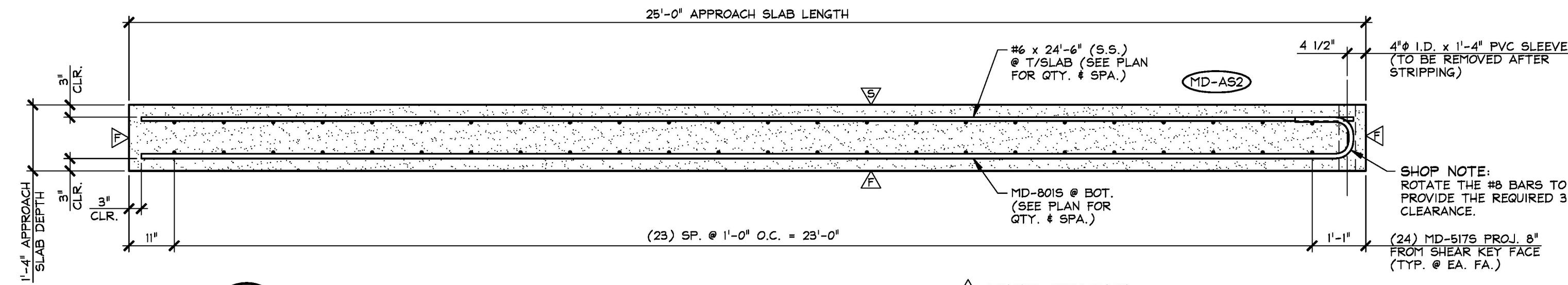
1 DIMENSIONAL PLAN VIEW IN FORM - "MD-AS1"
 ASI 3/8" = 1'-0"



3 DIMENSIONAL PLAN VIEW IN FORM - "MD-AS2"
 ASI 3/8" = 1'-0"



2 LONGITUDINAL SECTION - "MD-AS1"
 ASI 1/2" = 1'-0"



4 LONGITUDINAL SECTION - "MD-AS2"
 ASI 1/2" = 1'-0"

▲ DENOTES FORM FINISH
 ▲ DENOTES SMOOTH SCREED FINISH
 ▲ DENOTES ROUGHENED SURFACE TO PROVIDE AN 1/8" AMPLITUDE EXPOSED AGGREGATE PROFILE. UTILIZE A SURFACE RETARDER WITH WATER BLAST, SAND BLAST, OR A COMBINATION OF BOTH TO ACHIEVE THE DESIRED SHEAR KEY SURFACE FINISH.

SHOP NOTE:
 28-DAY STRENGTH = 5,000 PSI
 HANDLING STRENGTH = 3,500 PSI
 MIX #445MSCC

MARK: MD-AS1	QTY.: 2	WT.: 17.75 T	VOL.: 8.77 cy
MARK: MD-AS2	QTY.: 2	WT.: 17.75 T	VOL.: 8.77 cy

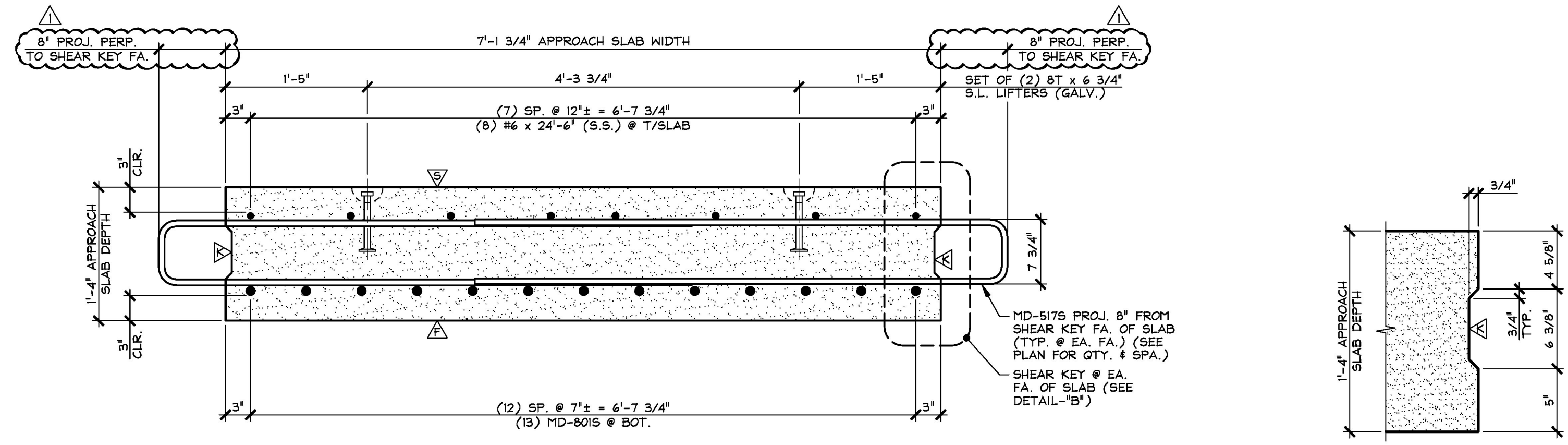
MATERIAL LIST / APPROACH SLAB				
ITEM	MARK	DESCRIPTION	QTY./SLAB	
			ASI	AS2
1	MD-5175	#5 BENT BAR (STAINLESS STEEL)	48	48
2		#6 x 24'-6" (S.S.)	8	8
3		#6 x 24'-6" (S.S.) @ T/SLAB (SEE PLAN FOR QTY. & SPA.)		
4		4" I.D. x 1'-4" PVC SLEEVE (TO BE REMOVED AFTER STRIPPING)	6	6
5	MD-8015	#8 BENT BAR (STAINLESS STEEL)	13	13
6				
7				
8		4" I.D. x 1'-4" PVC SLEEVE	6	6
9		8T x 6 3/4" SWIFT LIFT LIFTER (GALV.)	4	4
10				

Approved Approved As Noted
 Rejected

This review is only for general conformance with the design concept and the information given in the Construction Documents. Corrections or comments made on the shop drawings during the review do not relieve the Contractor from compliance with the requirements of the Plans and Specifications. Review of a specific item shall not include review of an assembly of which an item is a component. The Contractor is responsible for dimensions to be confirmed and corrected at the job site; information that pertains solely to the fabrication process or to the means, methods, techniques, sequences and procedures of construction; coordination of the Work with that of other trades and performing all Work in a safe and satisfactory manner.

Date: 5/13/2016
 By: D. Kull

Vermont Agency of Transportation
RECEIVED
 ON: May 10, 2016
 and Checked for CONFORMANCE
 BY: Rob Young DATE: 05/16/2016



A TRANSVERSE SECTION
 ASI 1" = 1'-0"

DETAIL - "B"
 1 1/2" = 1'-0"

5-10-16 REVISED AS NOTED

APPROVAL STAMP:

J.P. CARRARA & SONS INC.
 Precast & Prestress Manufacturer
 2464 CASE STR., MIDDLEBURY, VERMONT 05753 Phone: (802)388-6361 Fax: (802)388-9010

A.L. ST. ONGE CONTRACTOR, INC.
 CONTRACTOR
 MONTGOMERY, VERMONT

STATE OF VERMONT AGENCY OF TRANSPORTATION
 COUNTY OF WINDSOR

TOWN OF WAITSFIELD
 VT ROUTE 100 (MINOR ARTERIAL)
 BRIDGE NO.: 177 PROJECT NO.: BRP 013-4(39)

DATE: JAN. 12, 2016
 SCALE: NOTED
 CHKD: - DFTM: B.L.
 JOB NO: 23480-016
 DWG. NO: ASI

PRECAST APPROACH SLAB DETAILS