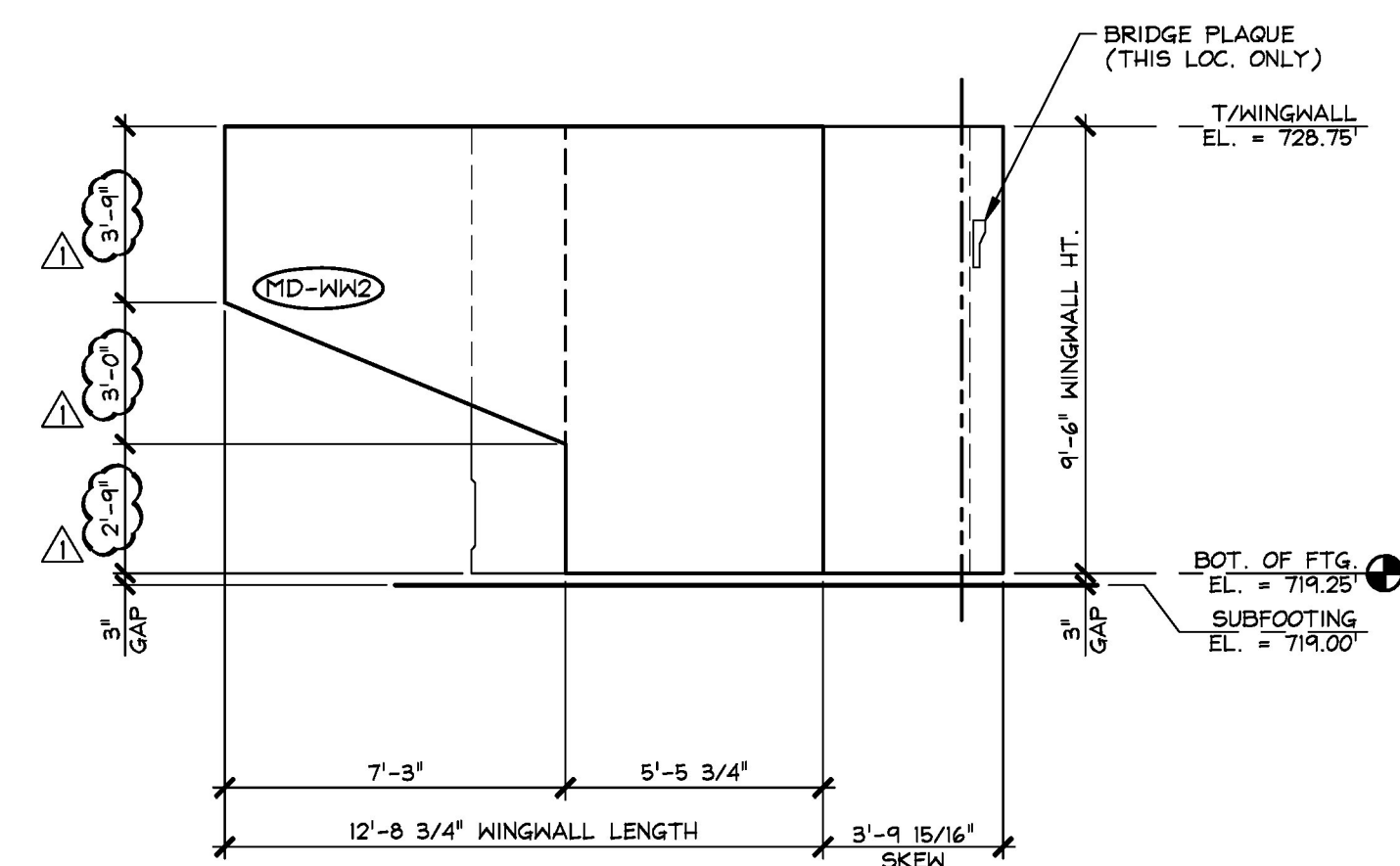
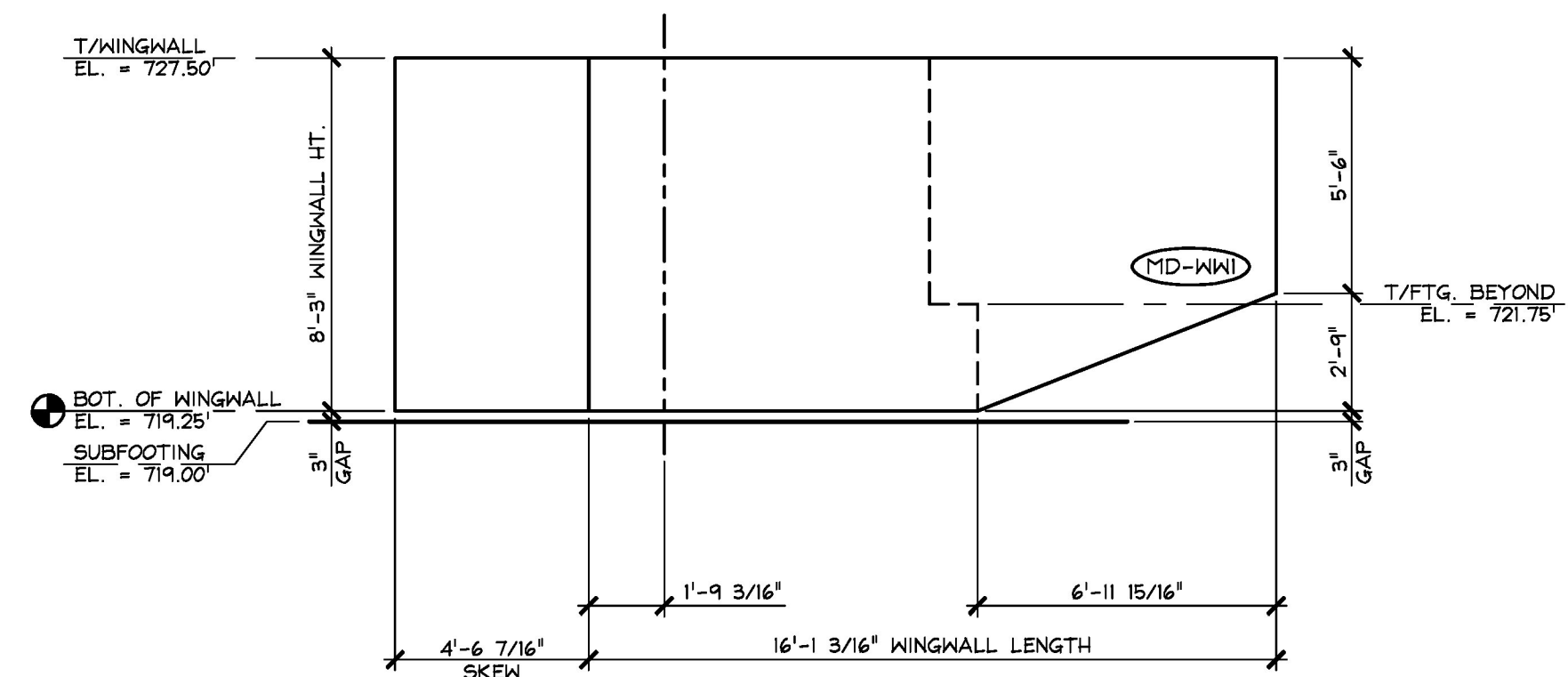


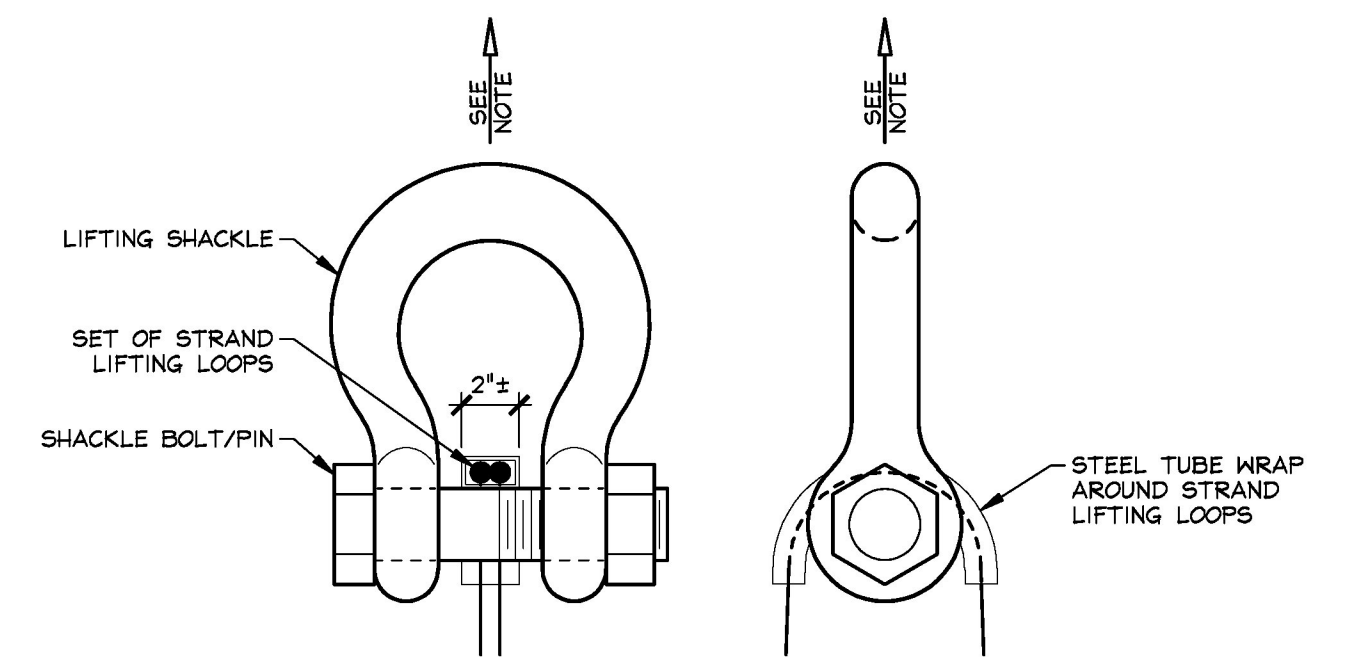
**1** ABUTMENT #1 - FOOTING, BACKWALL, & WINGWALL ELEVATION  
 F3.1 1/4" = 1'-0"



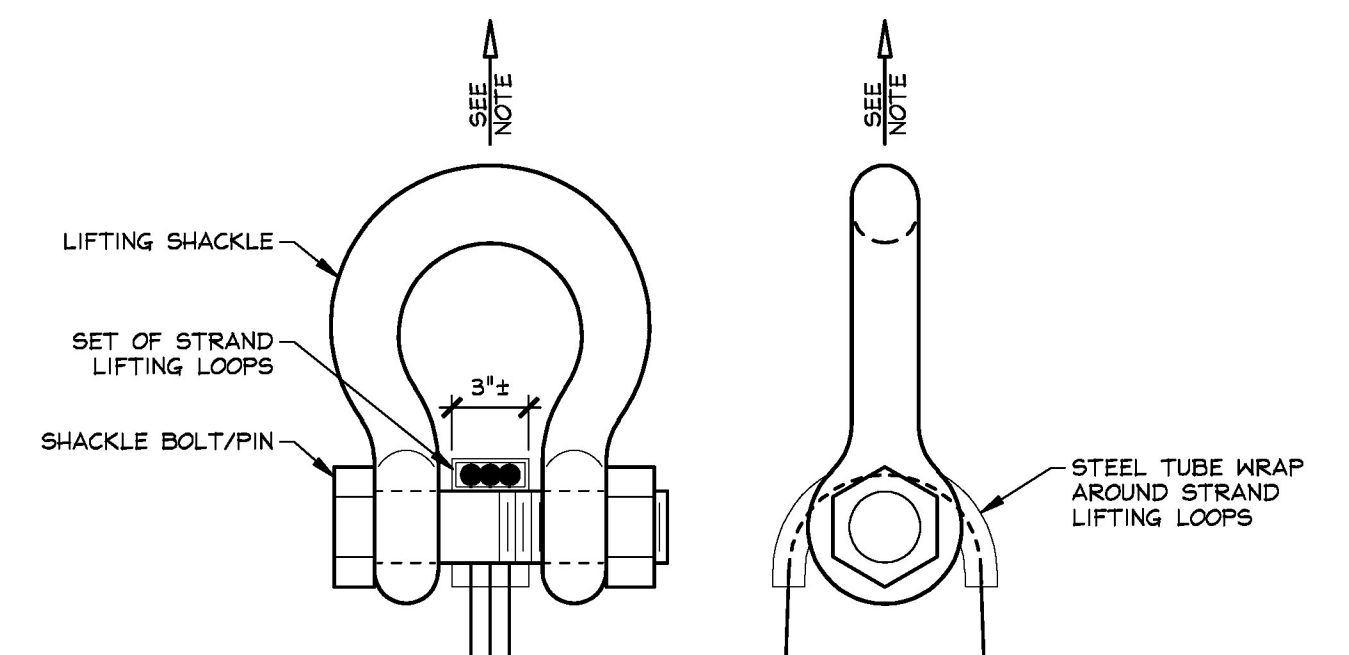
**2** WINGWALL #2 ELEVATION  
 F3.1 1/4" = 1'-0"



**3** WINGWALL #1 ELEVATION  
 F3.1 1/4" = 1'-0"



NOTE: PRECAST FOOTINGS SHALL BE HANDLED AND ERECTED USING THE LIFTING LOOPS ONLY. RIGGING SHALL BE CONFIGURED SUCH THAT EQUAL FORCES ARE APPLIED TO EACH SET OF LIFTING LOOPS AT EACH END OF PRECAST FOOTING. SHACKLE BOLT/PIN SHALL BE PLACED UNDER LIFT LOOPS AS SHOWN. DESIGN AND CONFIGURATION OF RIGGING BY PURCHASER.  
**LIFTING SHACKLE DETAILS**  
 PRECAST FOOTINGS N.T.S.



NOTE: PRECAST WING WALLS SHALL BE HANDLED AND ERECTED USING THE LIFTING LOOPS ONLY. RIGGING SHALL BE CONFIGURED SUCH THAT EQUAL FORCES ARE APPLIED TO EACH SET OF LIFTING LOOPS AT EACH END OF PRECAST WING WALLS. SHACKLE BOLT/PIN SHALL BE PLACED UNDER LIFT LOOPS AS SHOWN. DESIGN AND CONFIGURATION OF RIGGING BY PURCHASER.  
**LIFTING SHACKLE DETAILS**  
 PRECAST WING WALLS N.T.S.

F:\VT-Bridges\23480-15 Waitfield\23480-F3-1.dwg, 5/10/2016 10:31:31 AM

Vermont Agency of Transportation  
**RECEIVED**  
 ON: **May 10, 2016**  
 and Checked for  
**CONFORMANCE**  
 BY: Rob Young DATE: 05/16/2016

Approved	<input checked="" type="checkbox"/> Approved As Noted
Rejected	<input type="checkbox"/>

This review is only for general conformance with the design concept and the information given in the Construction Documents. Corrections or comments made on the shop drawings during the review do not relieve the Contractor from compliance with the requirements of the Plans and Specifications. Review of a specific item shall not include review of an assembly of which an item is a component. The Contractor is responsible for dimensions to be confirmed and corrected at the job site; information that pertains solely to the fabrication process or to the means, methods, techniques, sequences and procedures of construction; coordination of the Work with that of other trades and performing all Work in a safe and satisfactory manner.

Date: 5/13/2016  
 By: D. Kull

5-10-16 REVISED AS NOTED

APPROVAL STAMP:	<b>J.P. CARRARA &amp; SONS INC.</b> Precast & Prestress Manufacturer 2464 CASE ST., MIDDLEBURY, VERMONT 05753 Phone: (802)388-6361 Fax: (802)388-9010	A.L. ST. ONGE CONTRACTOR, INC. CONTRACTOR MONTGOMERY, VERMONT
STATE OF VERMONT AGENCY OF TRANSPORTATION COUNTY OF WINDSOR		DATE: JAN. 12, 2016
TOWN OF WAITSFIELD VT ROUTE 100 (MINOR ARTERIAL) BRIDGE NO.: 177 PROJECT NO.: BRP 013-4(39)		SCALE: NOTED
ABUTMENT #1 ELEVATIONS		CHKD: - DFTM: B.L. JOB NO: 23480-016
		DWG. NO: <b>F3.1</b>