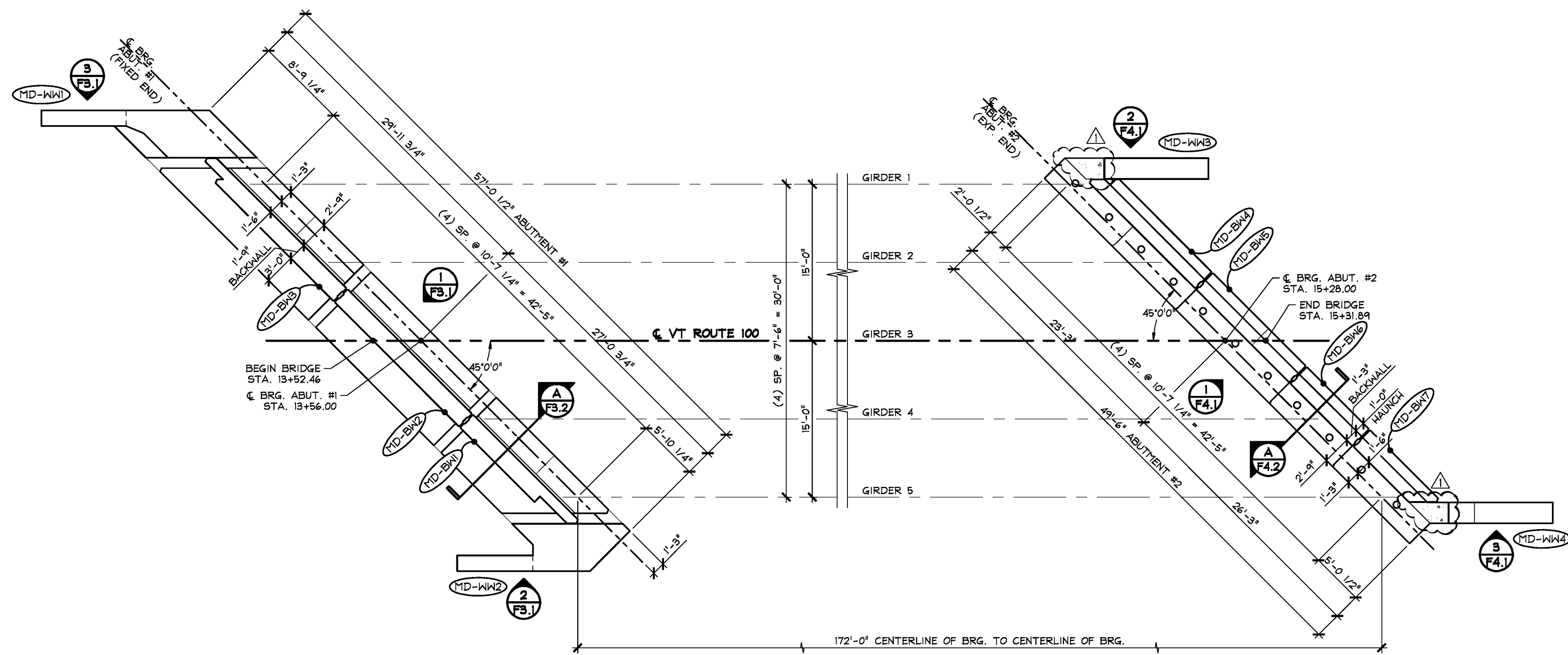
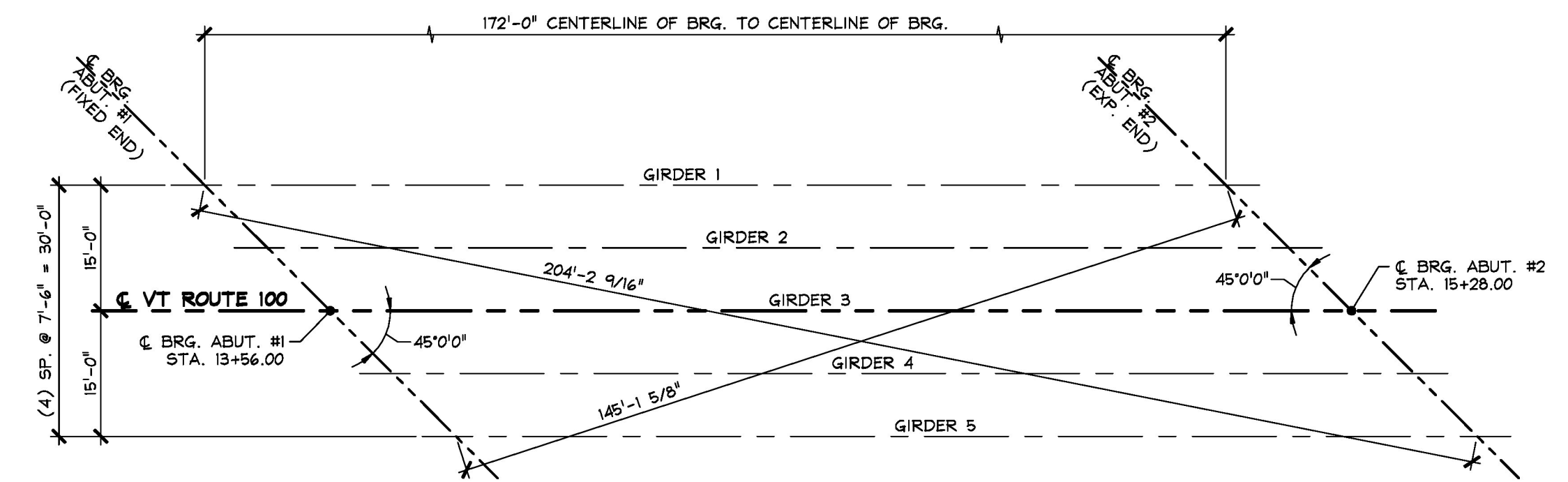


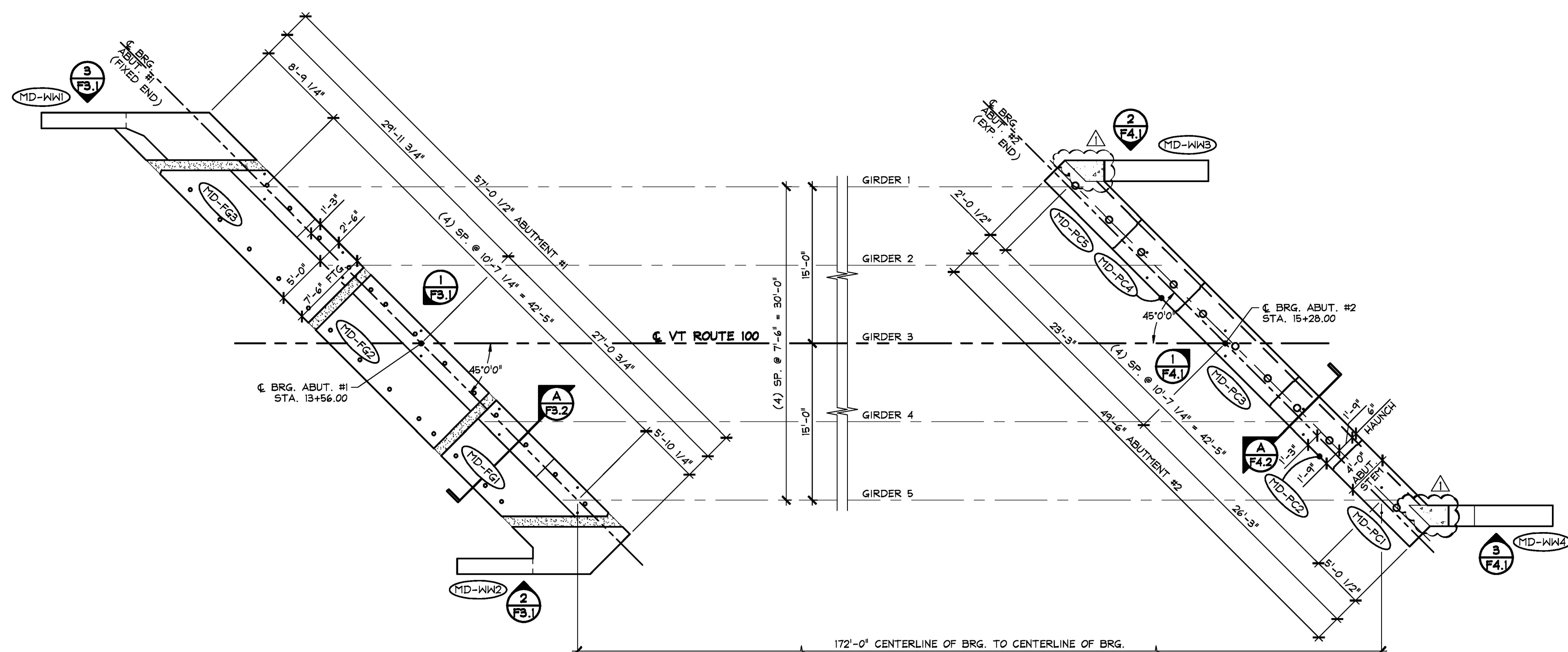
F:\VT-Bridges\23480-15 Waitfield\23480-F2.dwg, 5/10/2016 10:32:28 AM



1 PRECAST BACKWALL & WINGWALL LAYOUT  
1/8" = 1'-0"



GRIDLINE LAYOUT  
N.T.S.



2 PRECAST FOOTING, ABUTMENT, & WINGWALL LAYOUT  
1/8" = 1'-0"

Vermont Agency of Transportation  
**RECEIVED**  
ON: **May 10, 2016**  
and Checked for  
**CONFORMANCE**  
BY: Rob Young DATE: 05/16/2016

Approved	X	Approved As Noted
Rejected		

This review is only for general conformance with the design concept and the information given in the Construction Documents. Corrections or comments made on the shop drawings during the review do not relieve the Contractor from compliance with the requirements of the Plans and Specifications. Review of a specific item shall not include review of an assembly of which an item is a component. The Contractor is responsible for dimensions to be confirmed and corrected at the job site; information that pertains solely to the fabrication process or to the means, methods, techniques, sequences and procedures of construction; coordination of the Work with that of other trades and performing all Work in a safe and satisfactory manner.

Date: 5/13/2016  
By: D. Kull

**McFarland Johnson**

APPROVAL STAMP:	<b>J.P. CARRARA &amp; SONS INC.</b> Precast & Prestress Manufacturer 2464 CASE STR., MIDDLEBURY, VERMONT 05753 Phone: (802)388-6361 Fax: (802)388-9010	<b>A.L. ST. ONGE CONTRACTOR, INC.</b> CONTRACTOR MONTGOMERY, VERMONT
	STATE OF VERMONT AGENCY OF TRANSPORTATION COUNTY OF WINDSOR	
	TOWN OF WAITSFIELD VT ROUTE 100 (MINOR ARTERIAL) BRIDGE NO.: 177 PROJECT NO.: BRP 013-4(39)	
	<b>PRECAST ABUTMENT &amp; BACKWALL LAYOUTS</b>	
	DATE: JAN. 12, 2016	
	SCALE: NOTED	
	CHKD: -	DFTM: B.L.
	JOB NO: 23480-016	
	DWG. NO: <b>F2</b>	