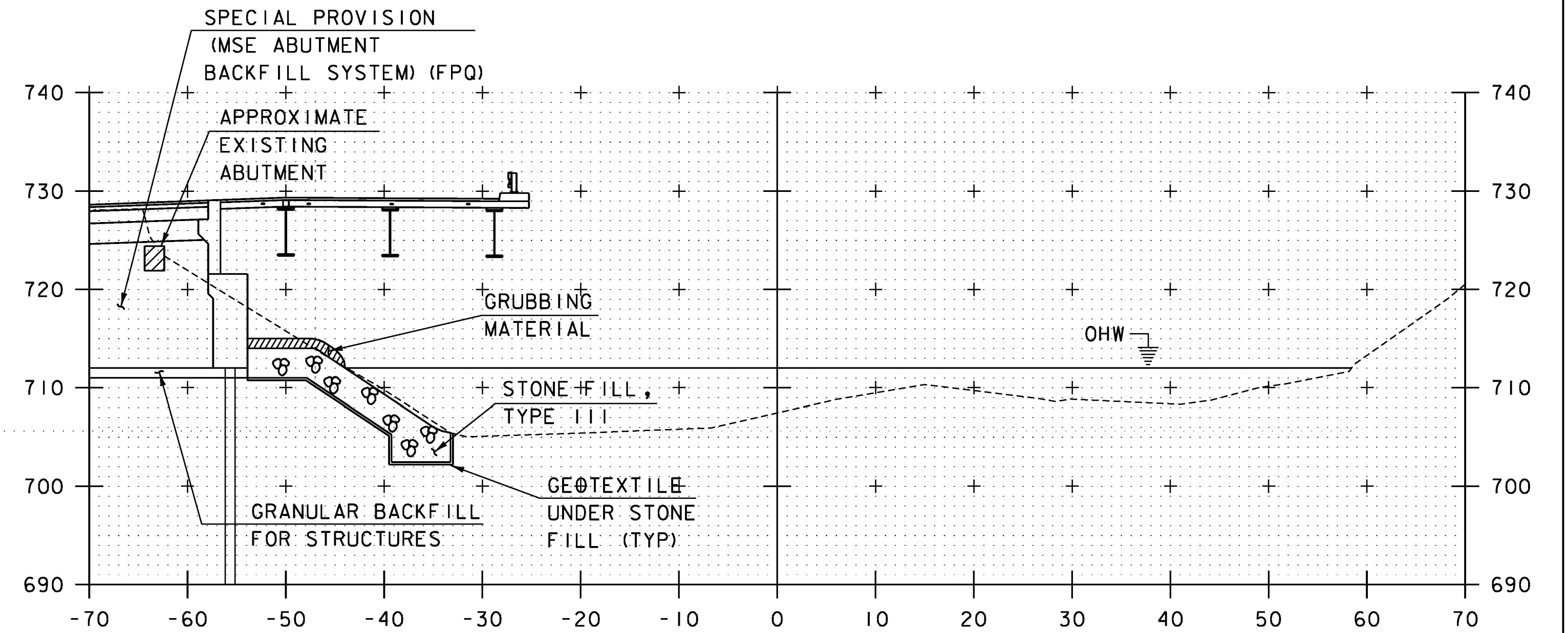
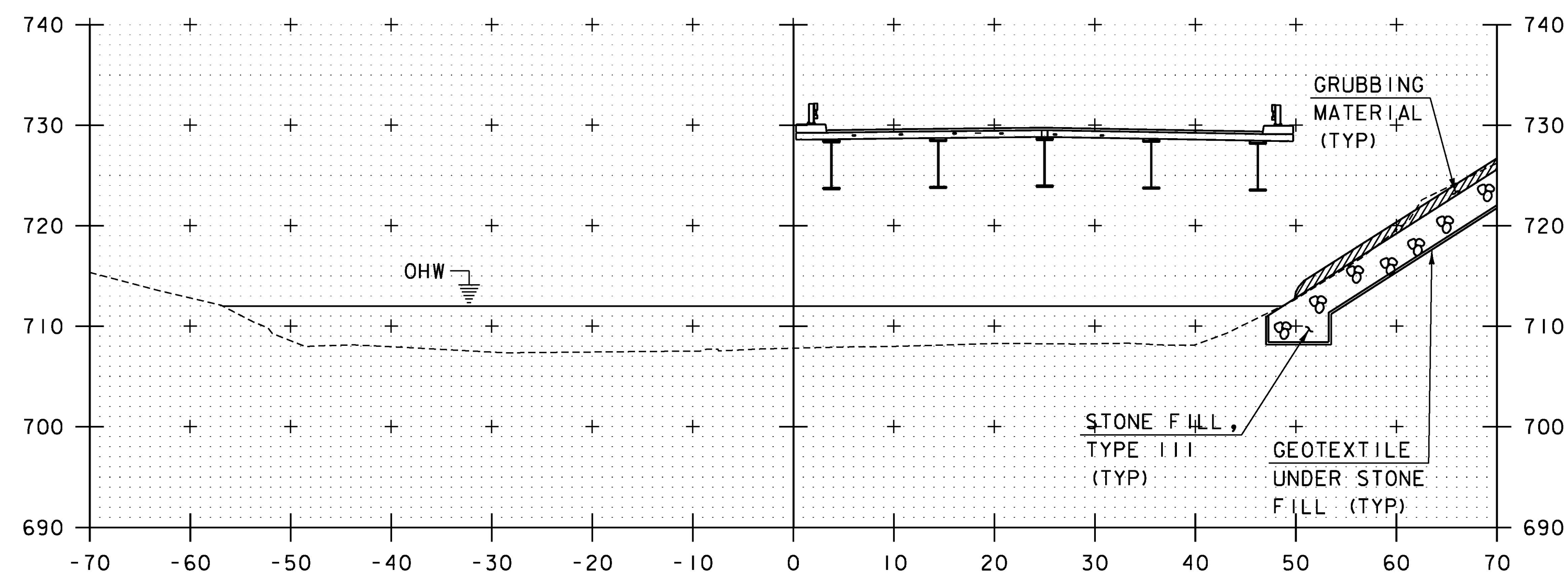


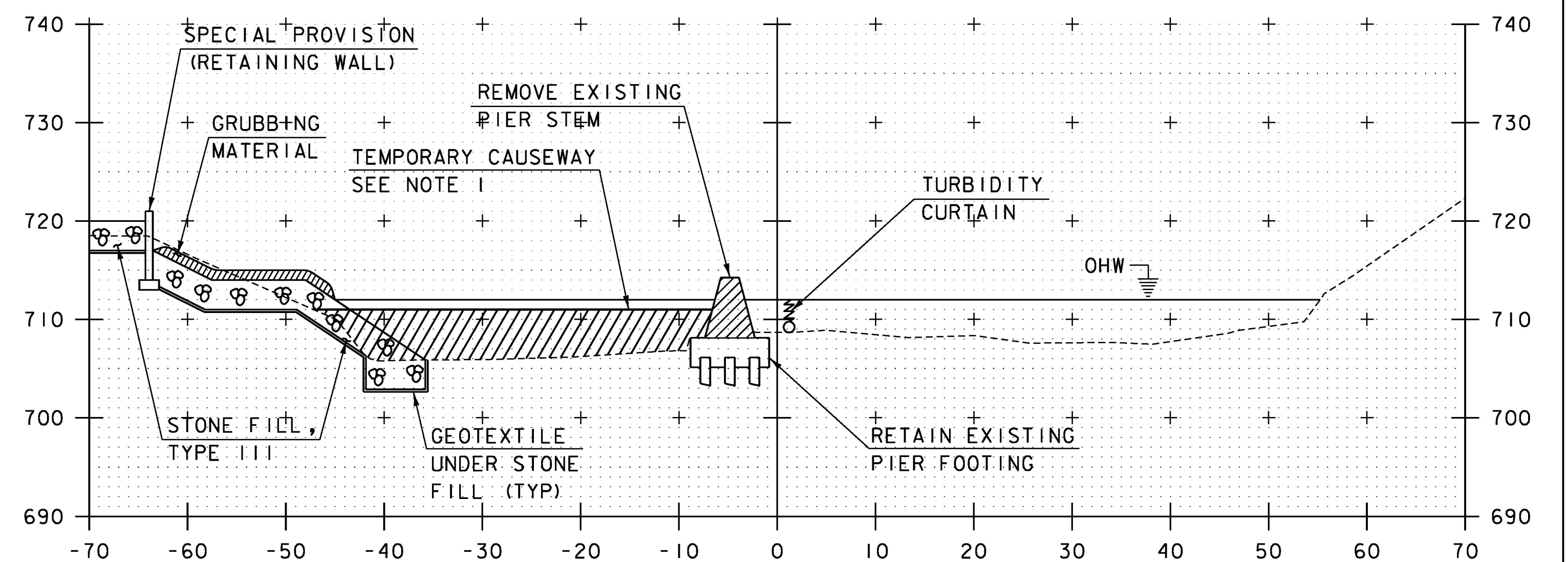
STA 51+35.2 RT
 END UNCLASSIFIED CHANNEL EXCAVATION
 END GEOTEXTILE UNDER STONE FILL
 END STONE FILL TYPE III



52+00



51+25



51+75

NOTES

- TEMPORARY CAUSEWAY, NO FILL ABOVE EL 711 (1' BELOW OHW). PAYMENT FOR FURNISHING, INSTALLING AND REMOVING TEMPORARY CAUSEWAY SHALL BE INCLUDED IN THE COST FOR ITEM 529.15, REMOVAL OF STRUCTURE.

SCALE 1" = 10'-0"
 10 0 10

STA. 51+16 TO STA. 52+00



PROJECT NAME: WAITSFIELD	PLOT DATE: 8/24/2015
PROJECT NUMBER: BRF 013-4(39)	DRAWN BY: S. MERKWAN
FILE NAME: z12b136xs2.dgn	CHECKED BY: T. KENDRICK
PROJECT LEADER: R. YOUNG	SHEET 57 OF 69
DESIGNED BY: D. KULL	CHANNEL CROSS SECTION SHEET 2