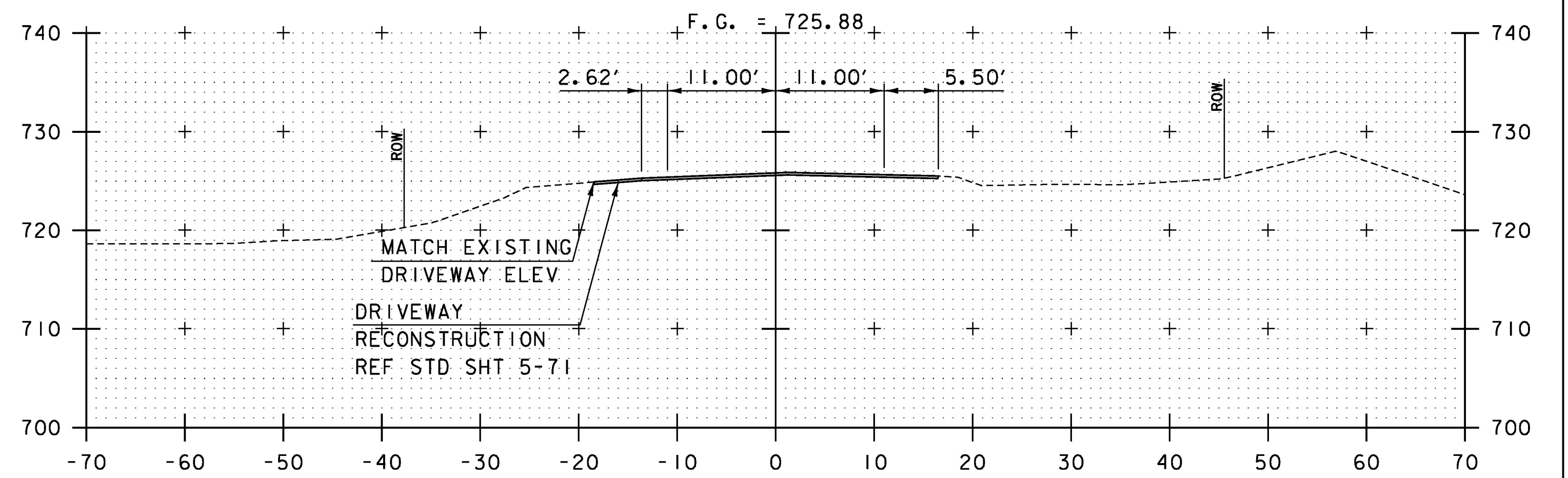
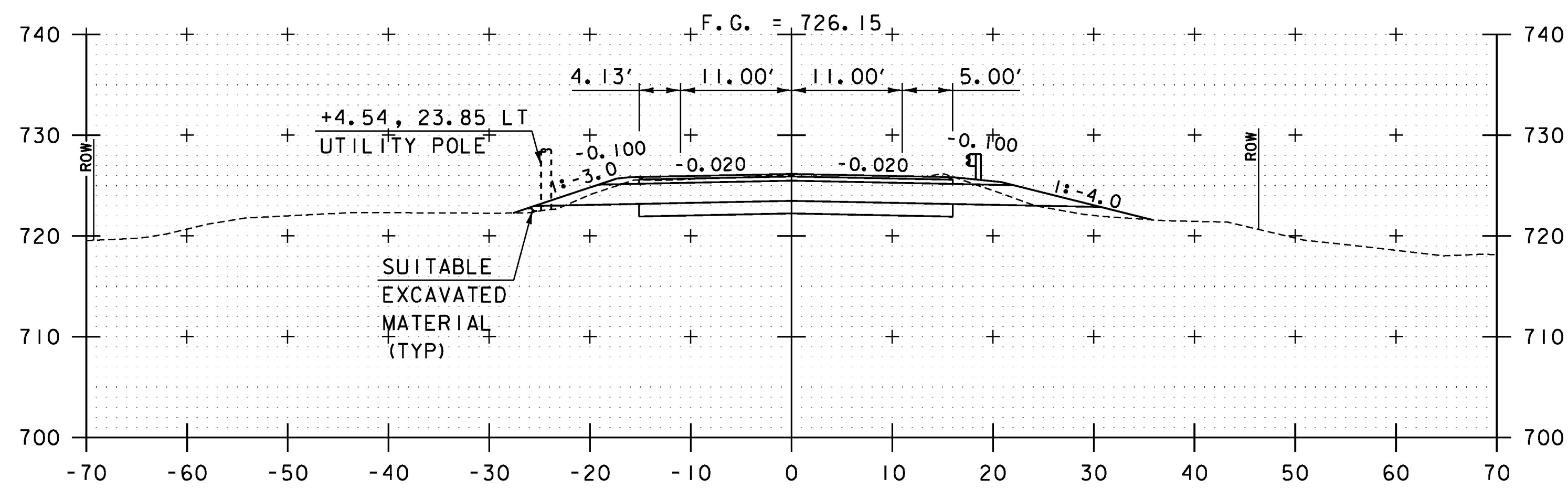


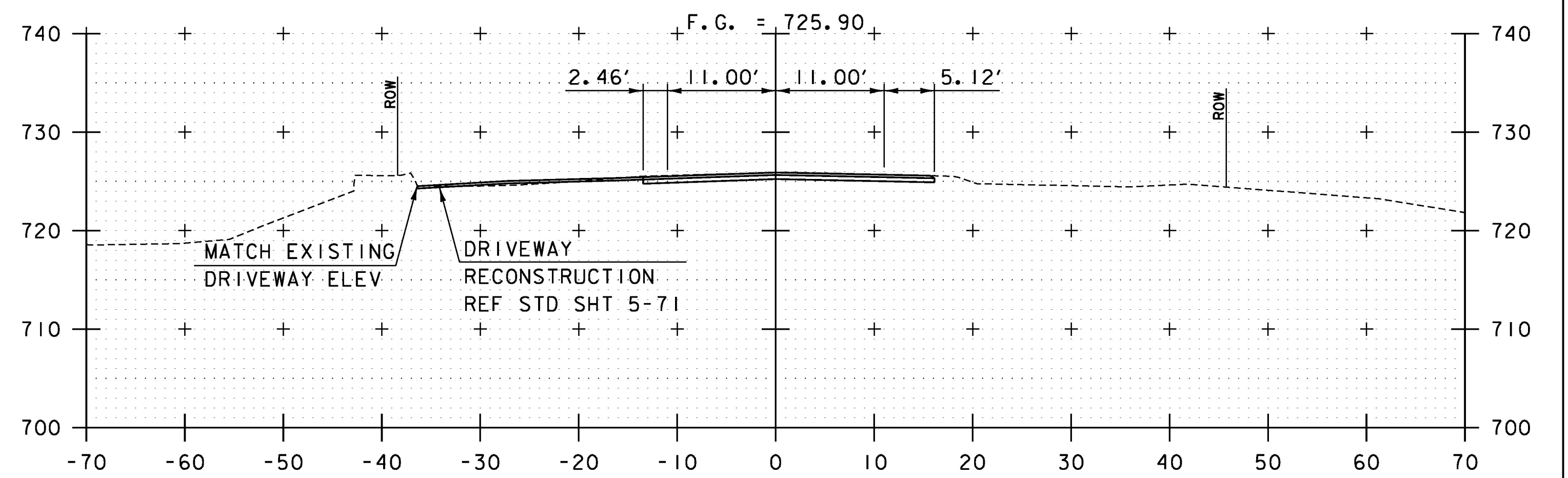
17+25
END PROJECT STA 17+13



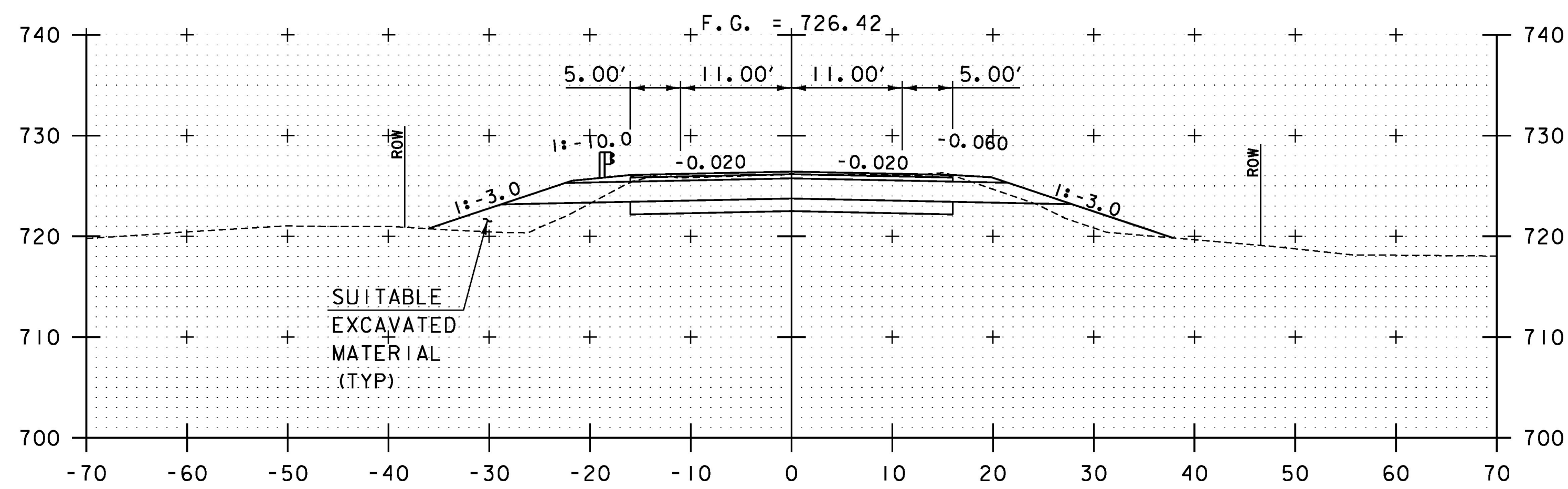
18+00



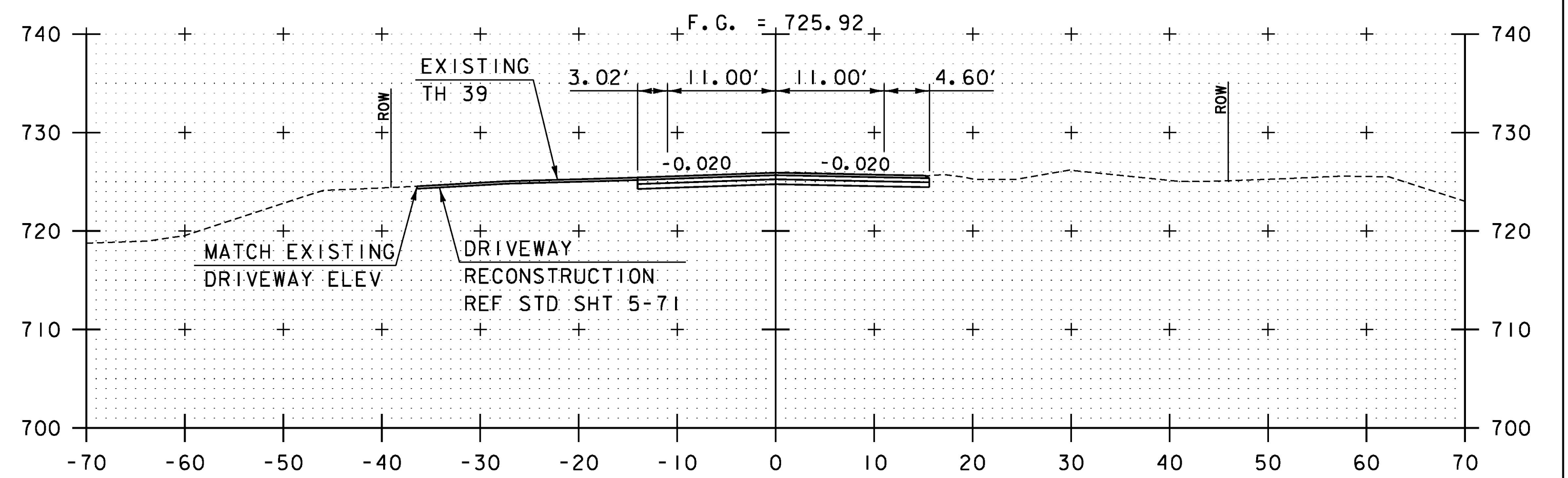
17+00



17+75



16+75



17+50

SCALE 1" = 10'-0"
10 0 10



STA. 16+75 TO STA. 18+00

PROJECT NAME: WAITSFIELD	PLOT DATE: 8/24/2015
PROJECT NUMBER: BRF 013-4(39)	DRAWN BY: S. MERKWAN
FILE NAME: z12b136xsl.dgn	CHECKED BY: T. KENDRICK
PROJECT LEADER: R. YOUNG	SHEET 55 OF 69
DESIGNED BY: D. KULL	
VT 100 CROSS SECTION SHEET 5	