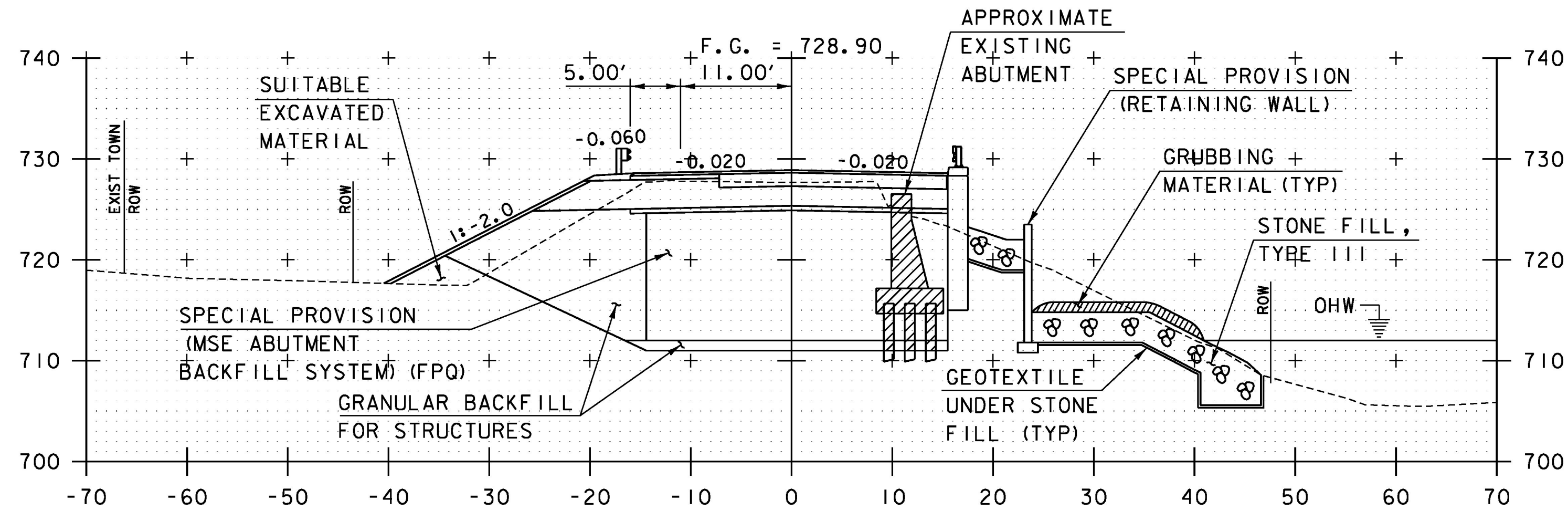
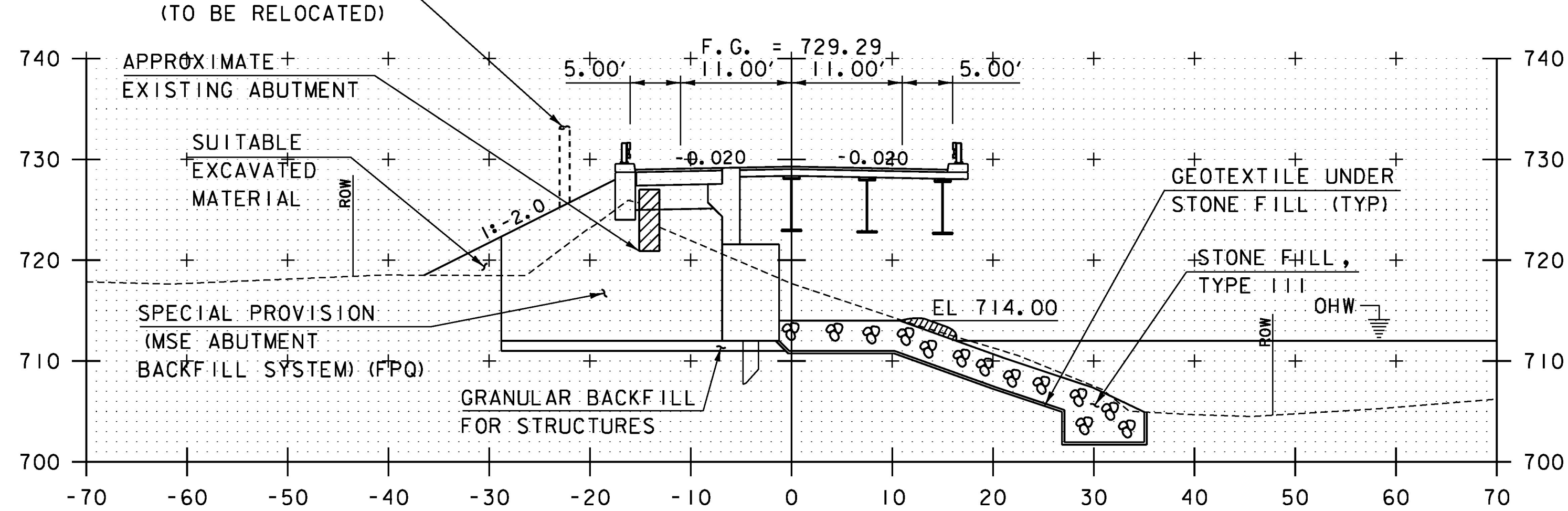


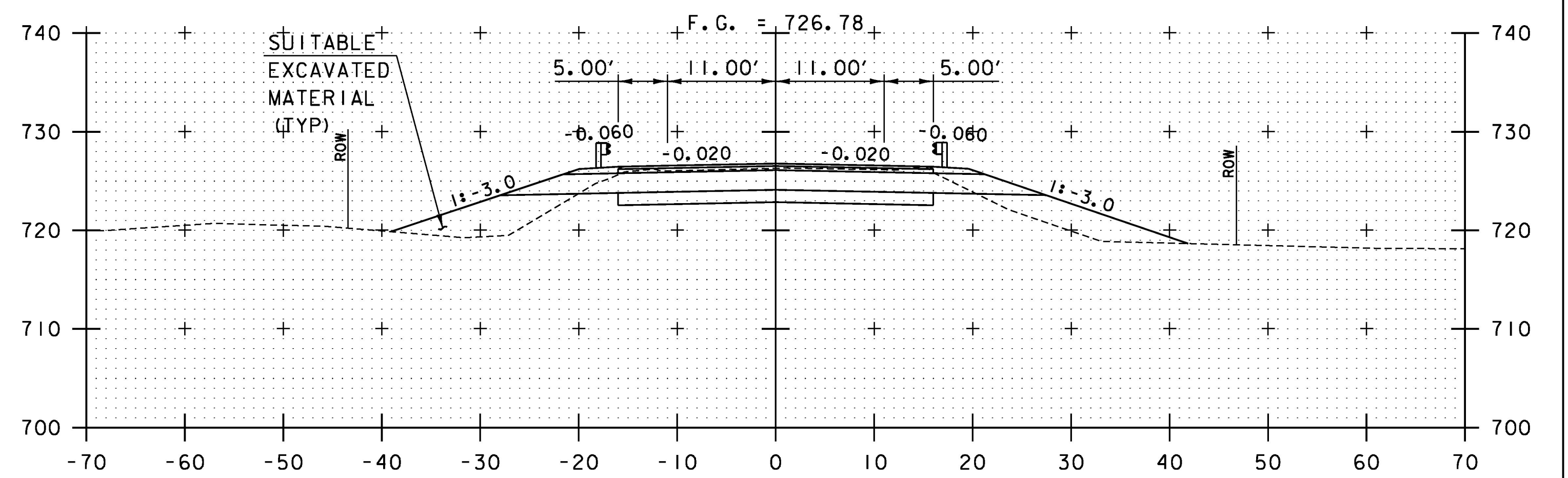
15+75



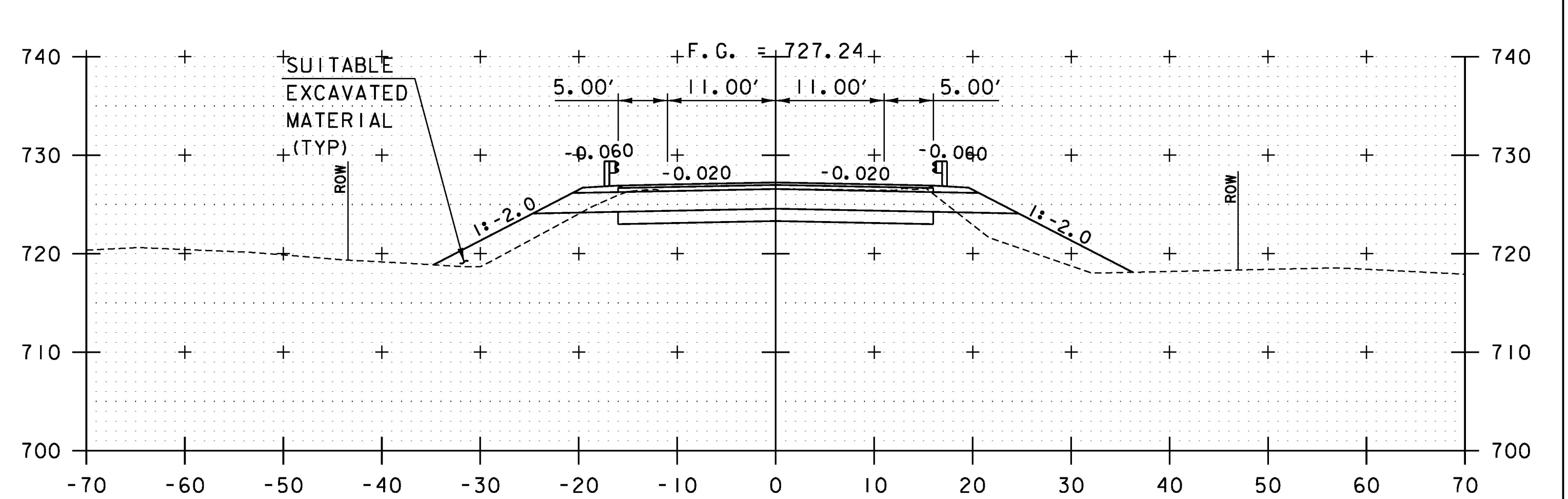
15+50  
END BRIDGE STA 15+31.89



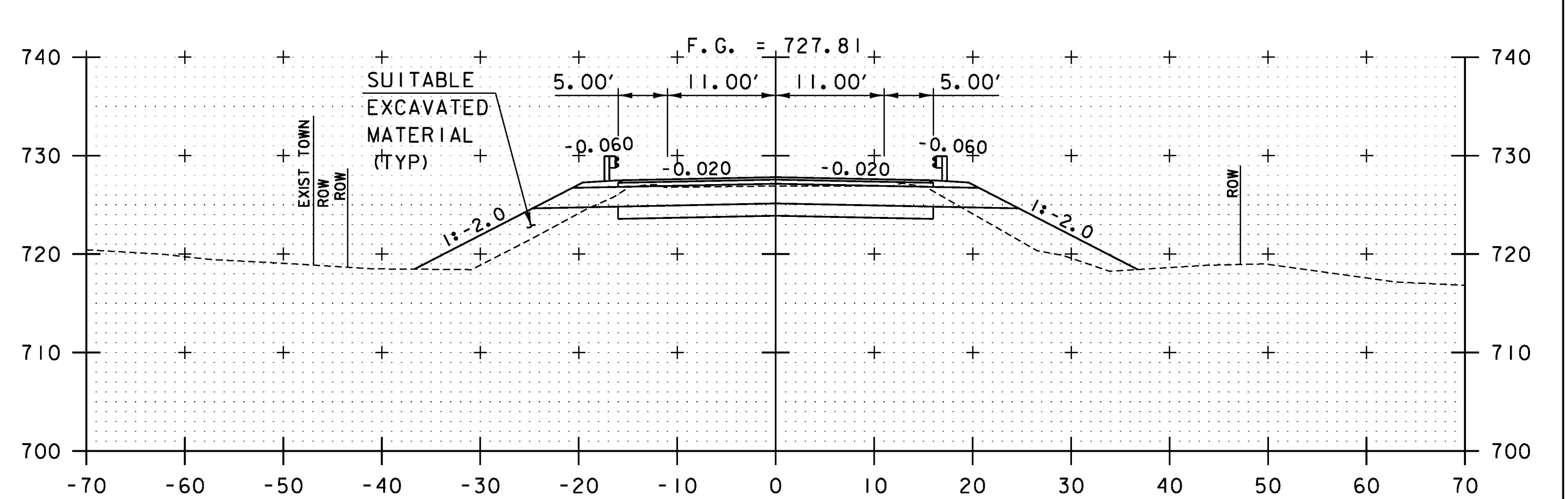
15+25



16+50



16+25



16+00

SCALE 1" = 10'-0"  
0 10



STA. 15+25 TO STA. 16+50

PROJECT NAME: WAITSFIELD	PLOT DATE: 8/24/2015
PROJECT NUMBER: BRF 013-4(39)	DRAWN BY: S. MERKWAN
FILE NAME: z12b136xsl.dgn	CHECKED BY: T. KENDRICK
PROJECT LEADER: R. YOUNG	SHEET 54 OF 69
DESIGNED BY: D. KULL	
VT 100 CROSS SECTION SHEET 4	