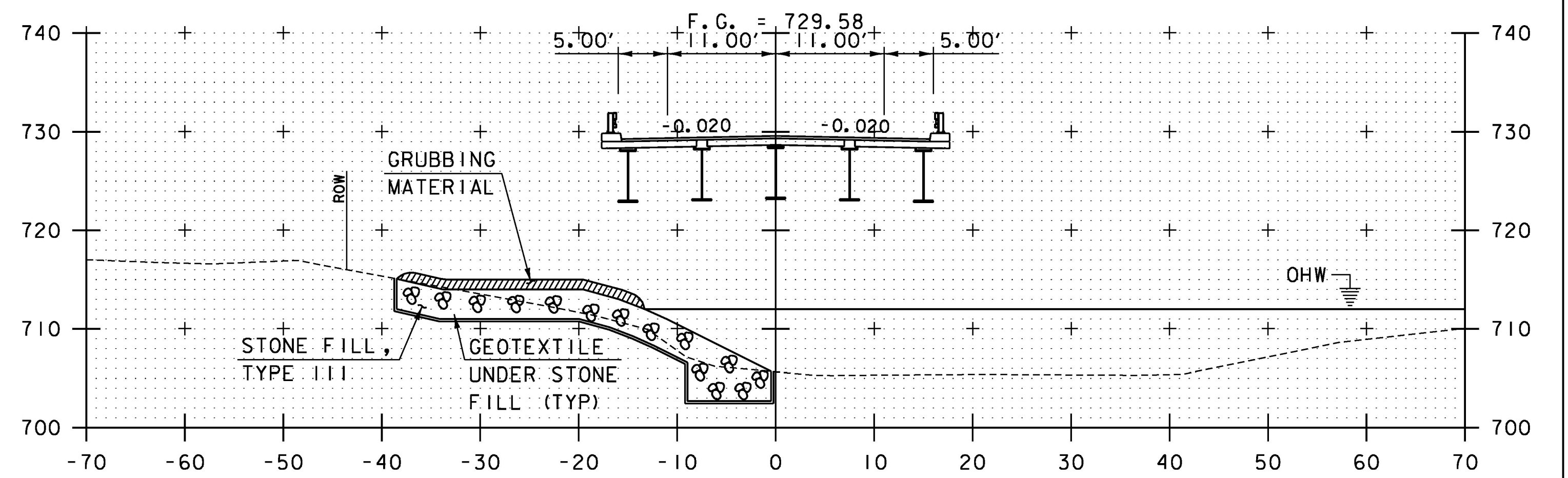
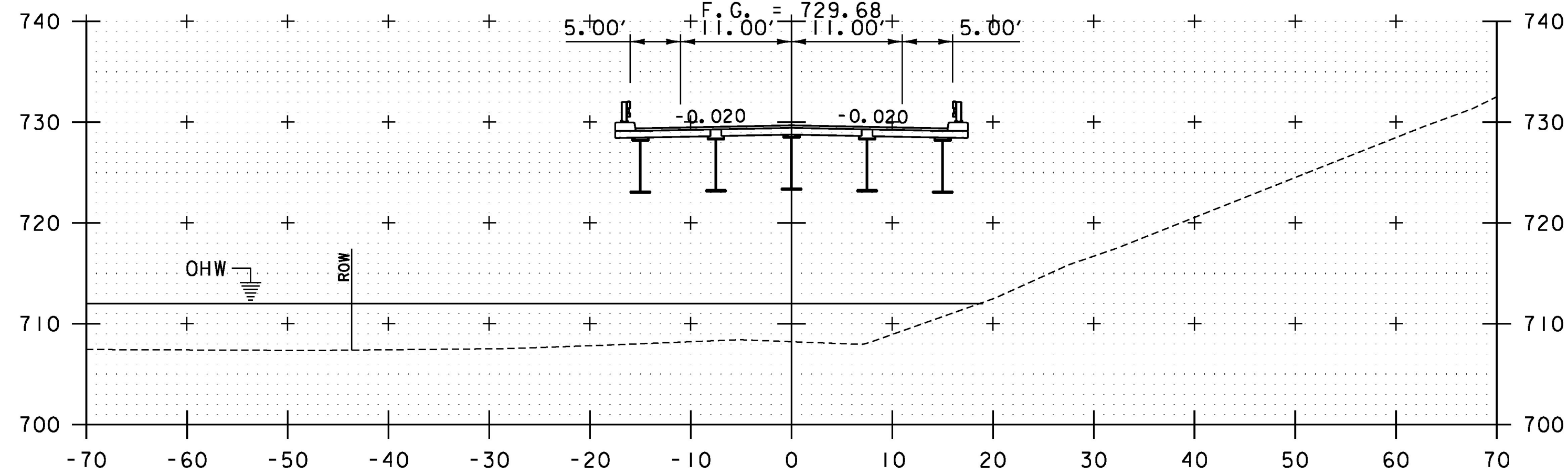


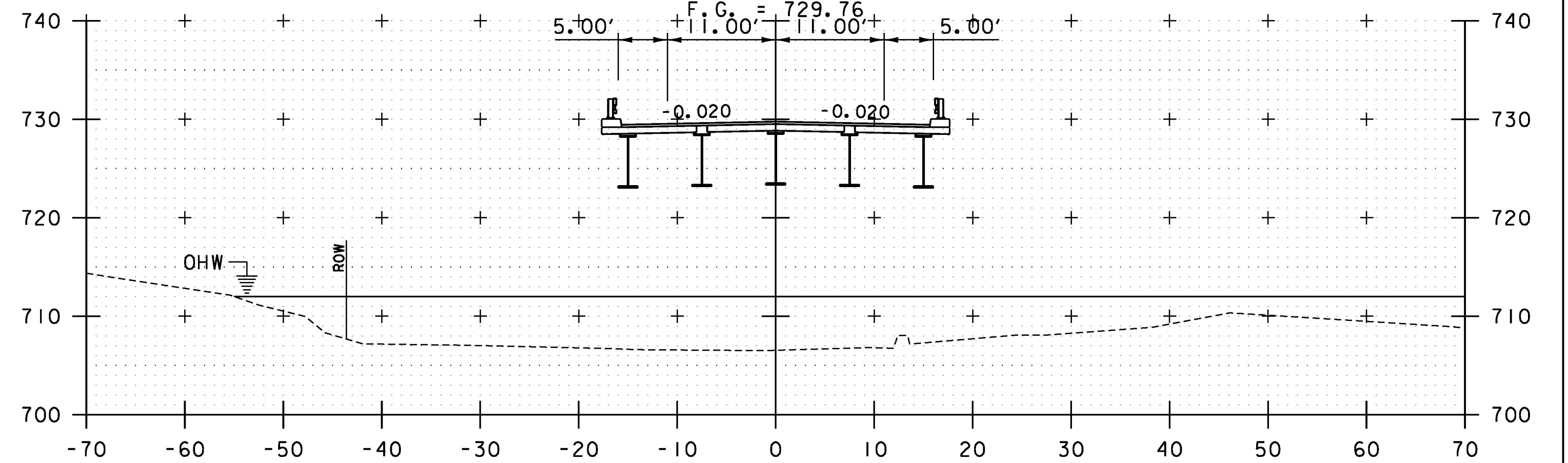
14+25



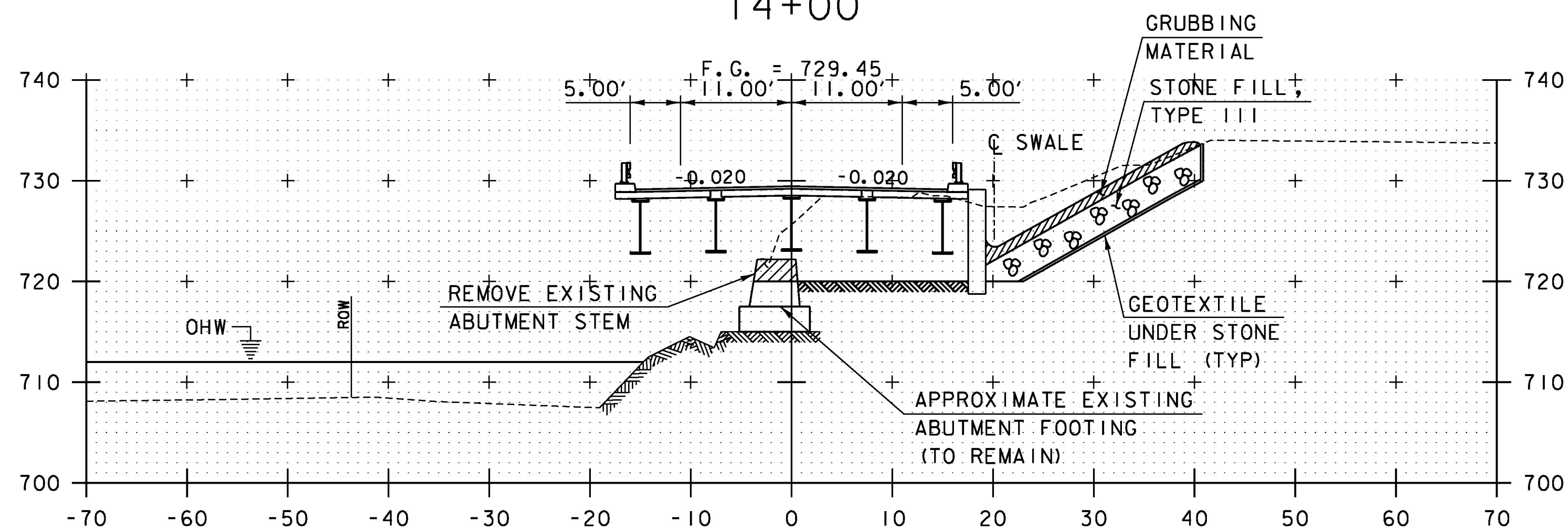
15+00



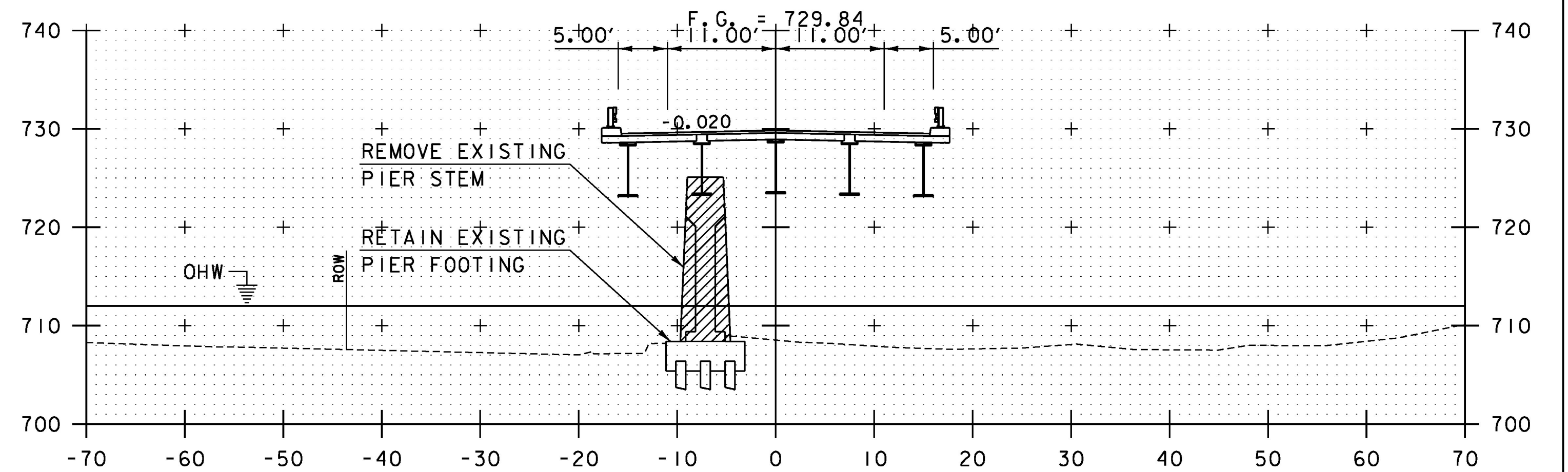
14+00



14+75



13+75



14+50

SCALE 1" = 10'-0"  
10 0 10



PROJECT NAME: WAITSFIELD  
 PROJECT NUMBER: BRF 013-4(39)  
 FILE NAME: z12b136xsl.dgn  
 PROJECT LEADER: R. YOUNG  
 DESIGNED BY: D. KULL  
 VT 100 CROSS SECTION SHEET 3  
 PLOT DATE: 8/24/2015  
 DRAWN BY: S. MERKWAN  
 CHECKED BY: T. KENDRICK  
 SHEET 53 OF 69

STA. 13+75 TO STA. 15+00