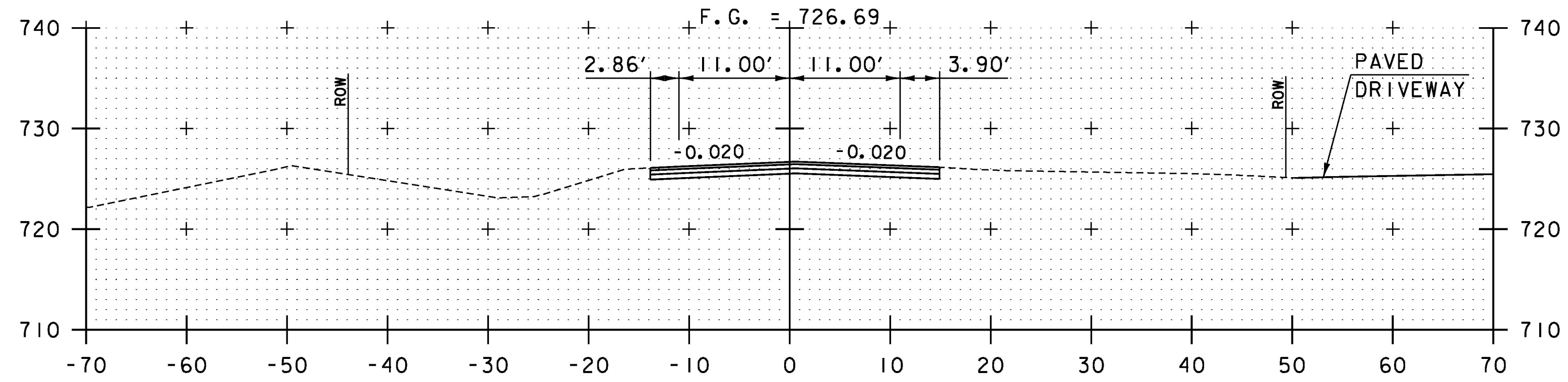
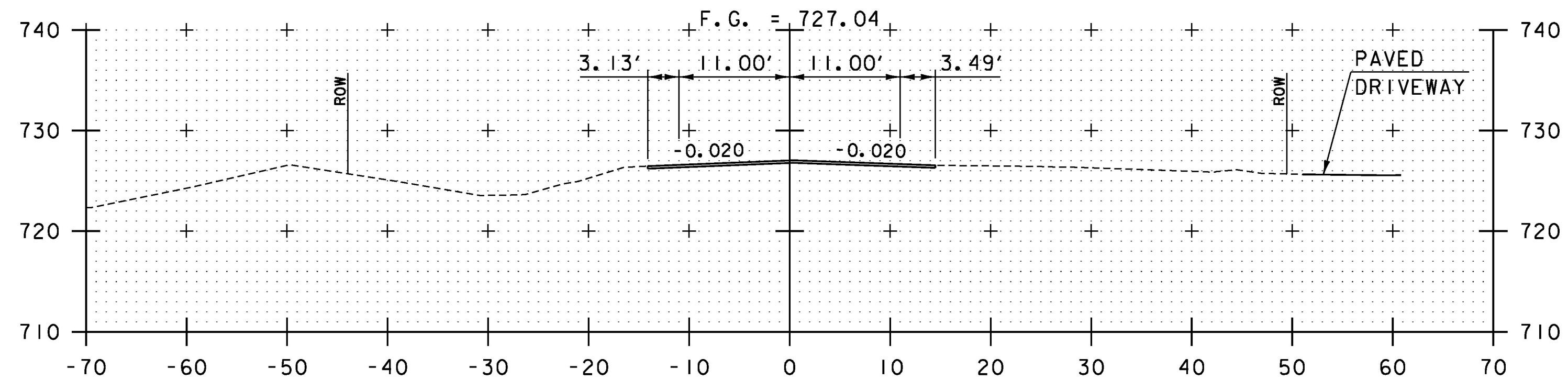


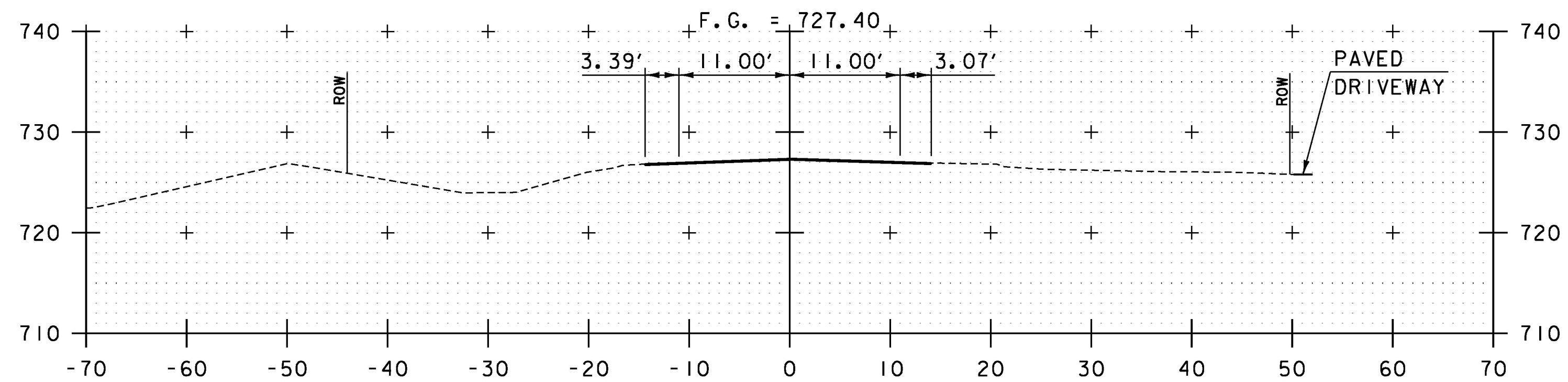
11+25



11+00

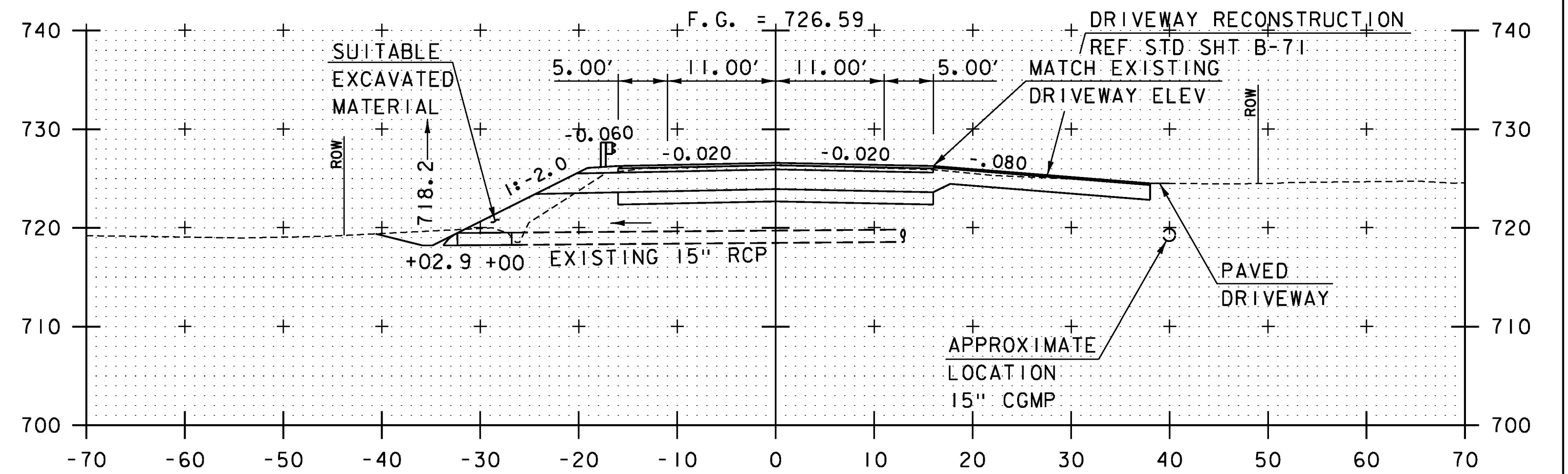


10+75

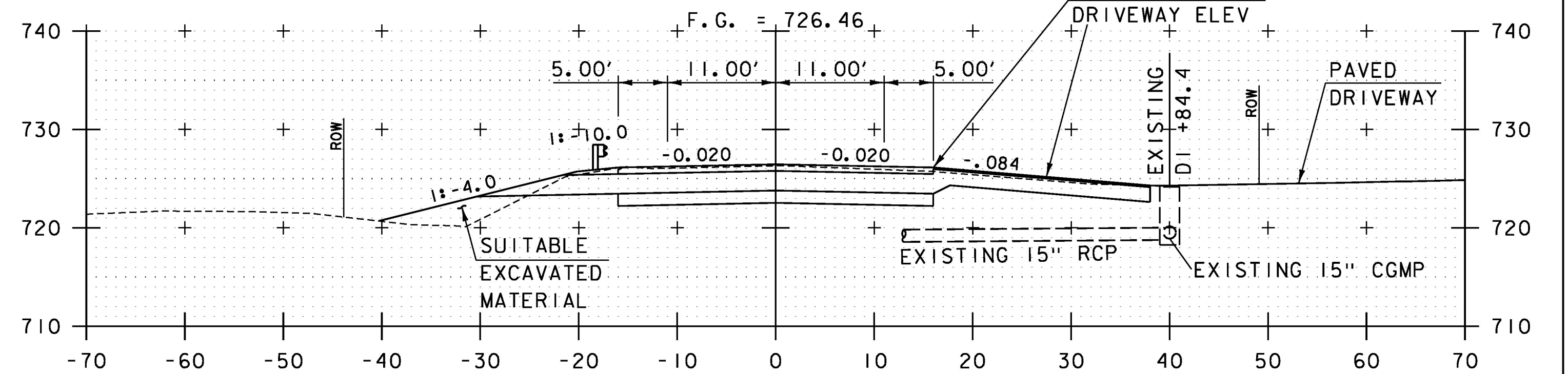


10+50

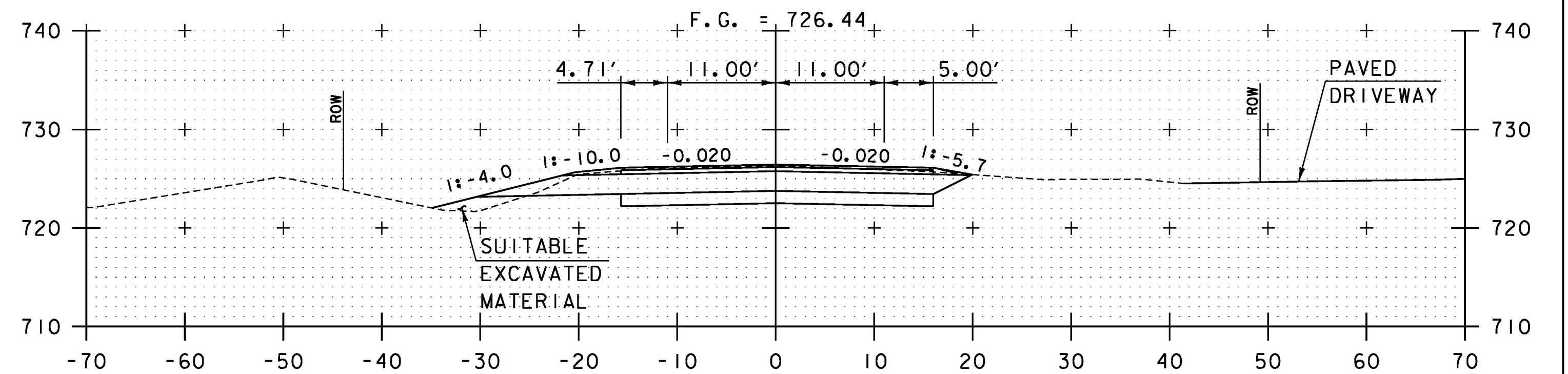
BEGIN APPROACH - MATCH EXISTING



12+00



11+75



11+50

END APPROACH - BEGIN PROJECT STA 11+37.00

SCALE 1" = 10'-0"



PROJECT NAME: WAITSFIELD	PLOT DATE: 8/24/2015
PROJECT NUMBER: BRF 013-4(39)	DRAWN BY: S. MERKWAN
FILE NAME: z12b136xsl.dgn	CHECKED BY: T. KENDRICK
PROJECT LEADER: R. YOUNG	SHEET 51 OF 69
DESIGNED BY: D. KULL	
VT 100 CROSS SECTION SHEET 1	

STA. 10+50 TO STA. 12+00