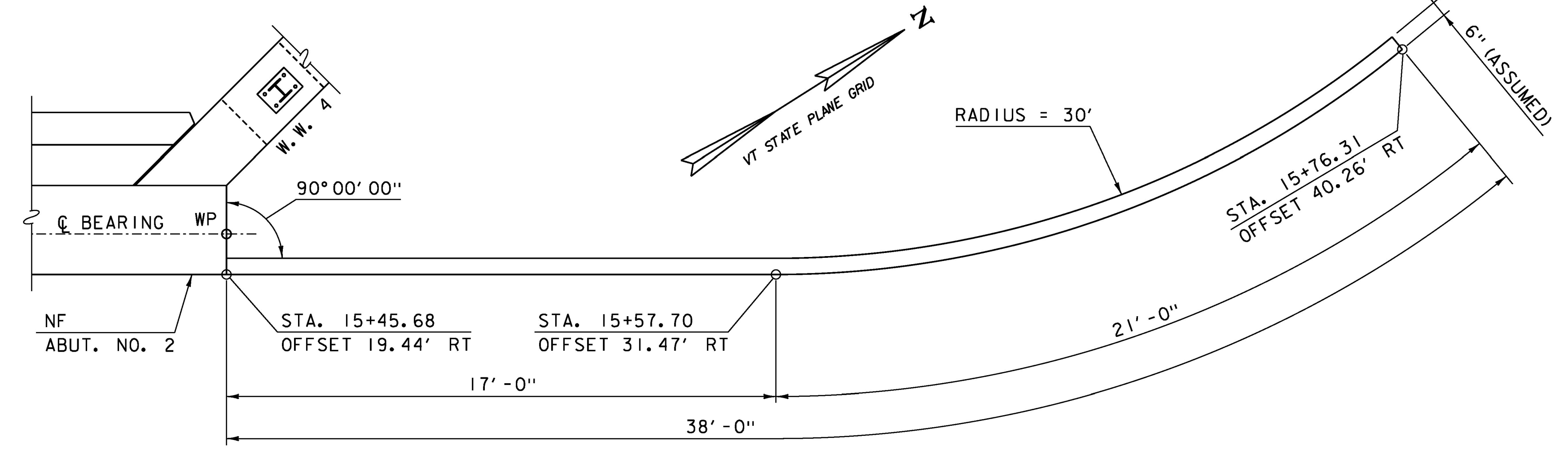
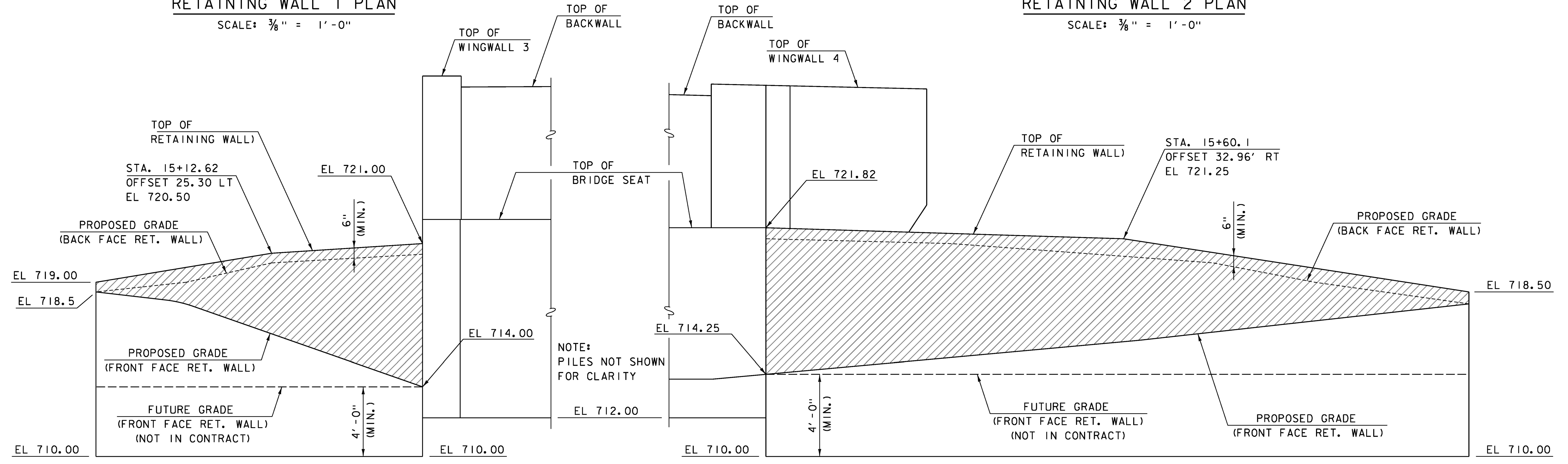


RETAINING WALL 1 PLAN
SCALE: 3/8" = 1'-0"

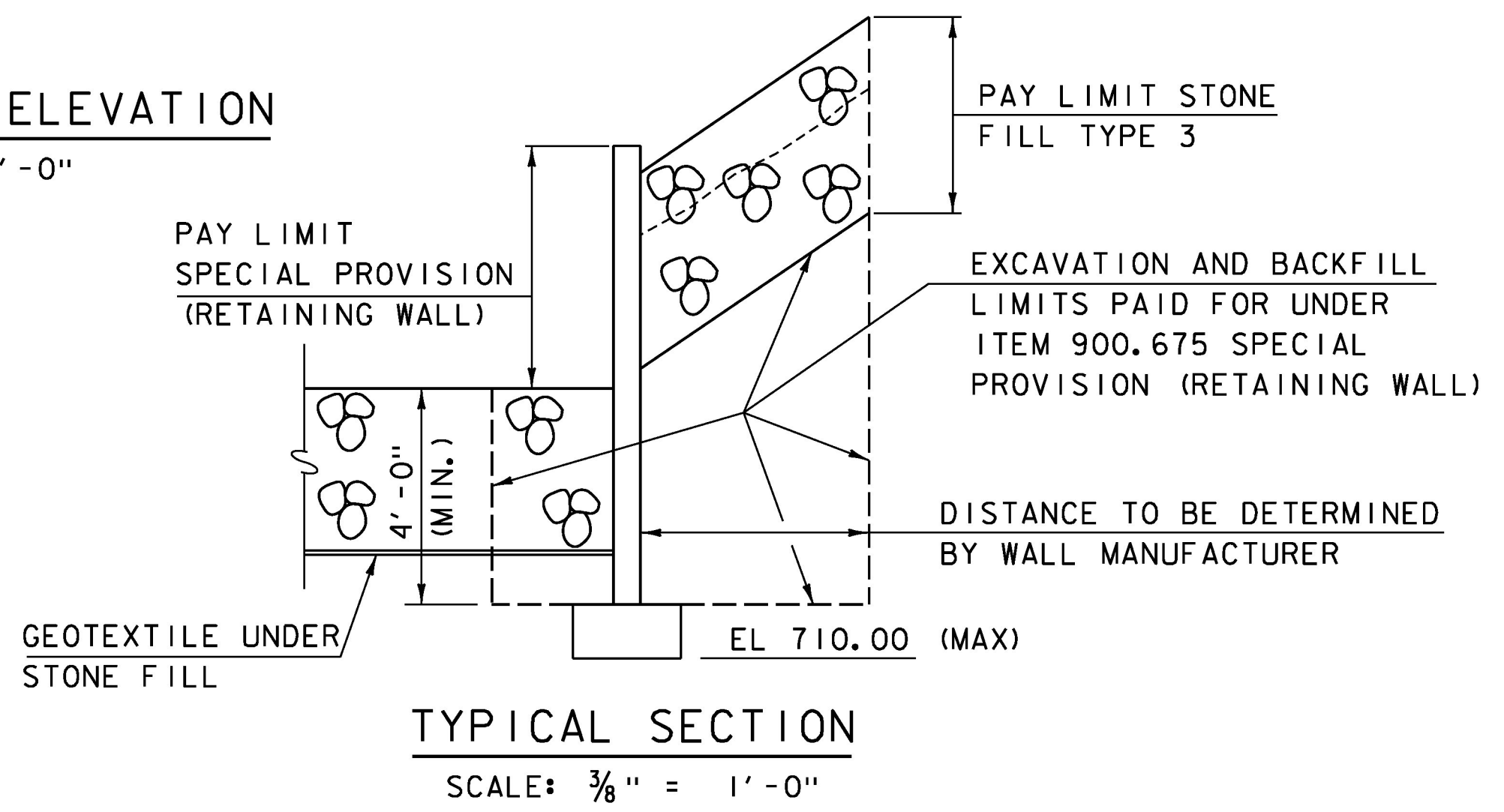


RETAINING WALL 2 PLAN
SCALE: 3/8" = 1'-0"



RETAINING WALL 1 ELEVATION
SCALE: 3/8" = 1'-0"

RETAINING WALL 2 ELEVATION
SCALE: 3/8" = 1'-0"



TYPICAL SECTION
SCALE: 3/8" = 1'-0"

PAY LIMITS OF ITEM 900.675 SPECIAL PROVISION (RETAINING WALL)

NOTES

1. FOR RETAINING WALL NOTES, SEE SHEET 3.

PROJECT NAME: WAITSFIELD	PLOT DATE: 8/24/2015
PROJECT NUMBER: BRF 013-4(39)	DRAWN BY: S. MERKWAN
FILE NAME: z12b136sub_retwall.dgn	CHECKED BY: T. KENDRICK
PROJECT LEADER: R. YOUNG	SHEET 49 OF 69
DESIGNED BY: D. KULL	
RETAINING WALL DETAILS	