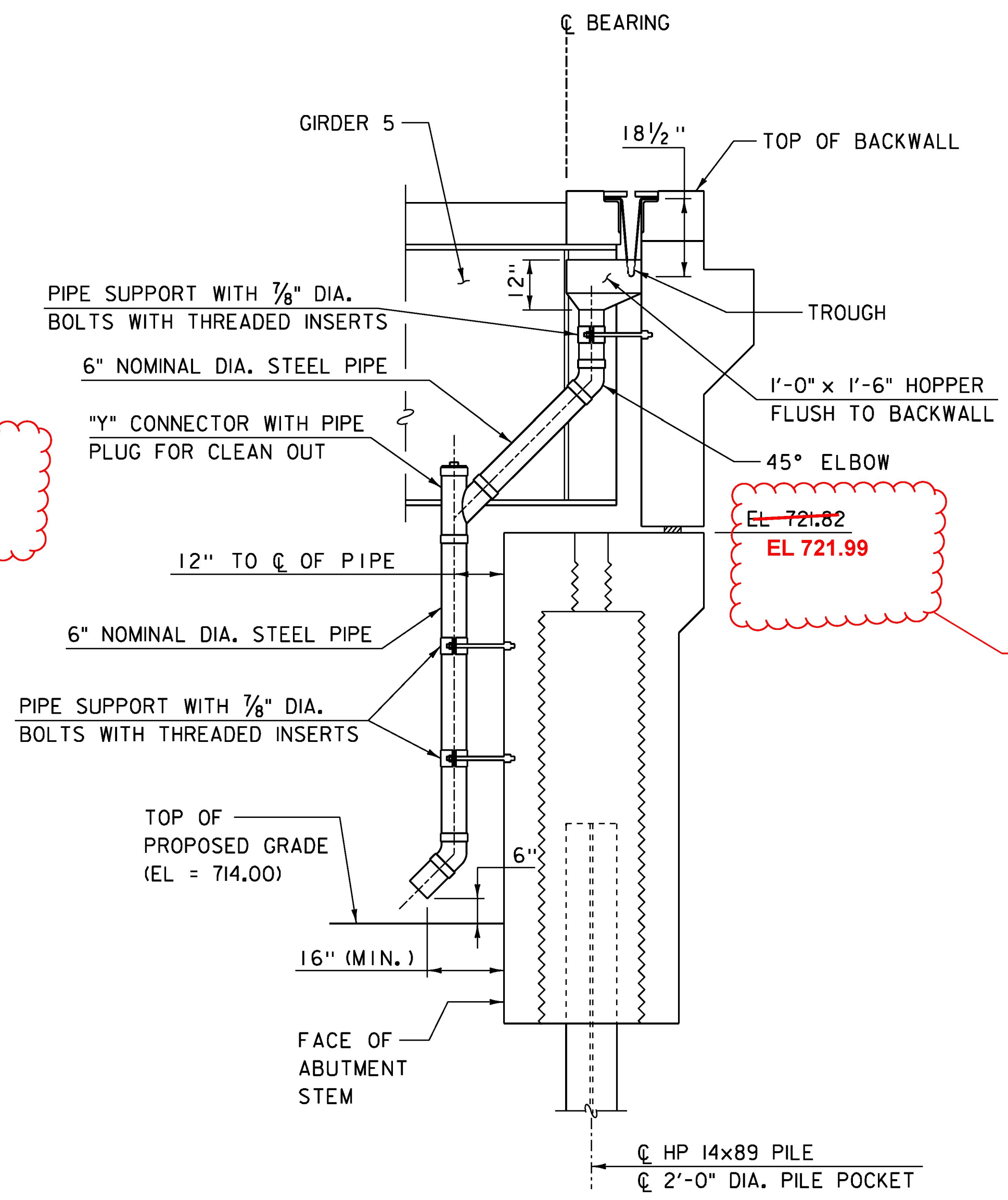
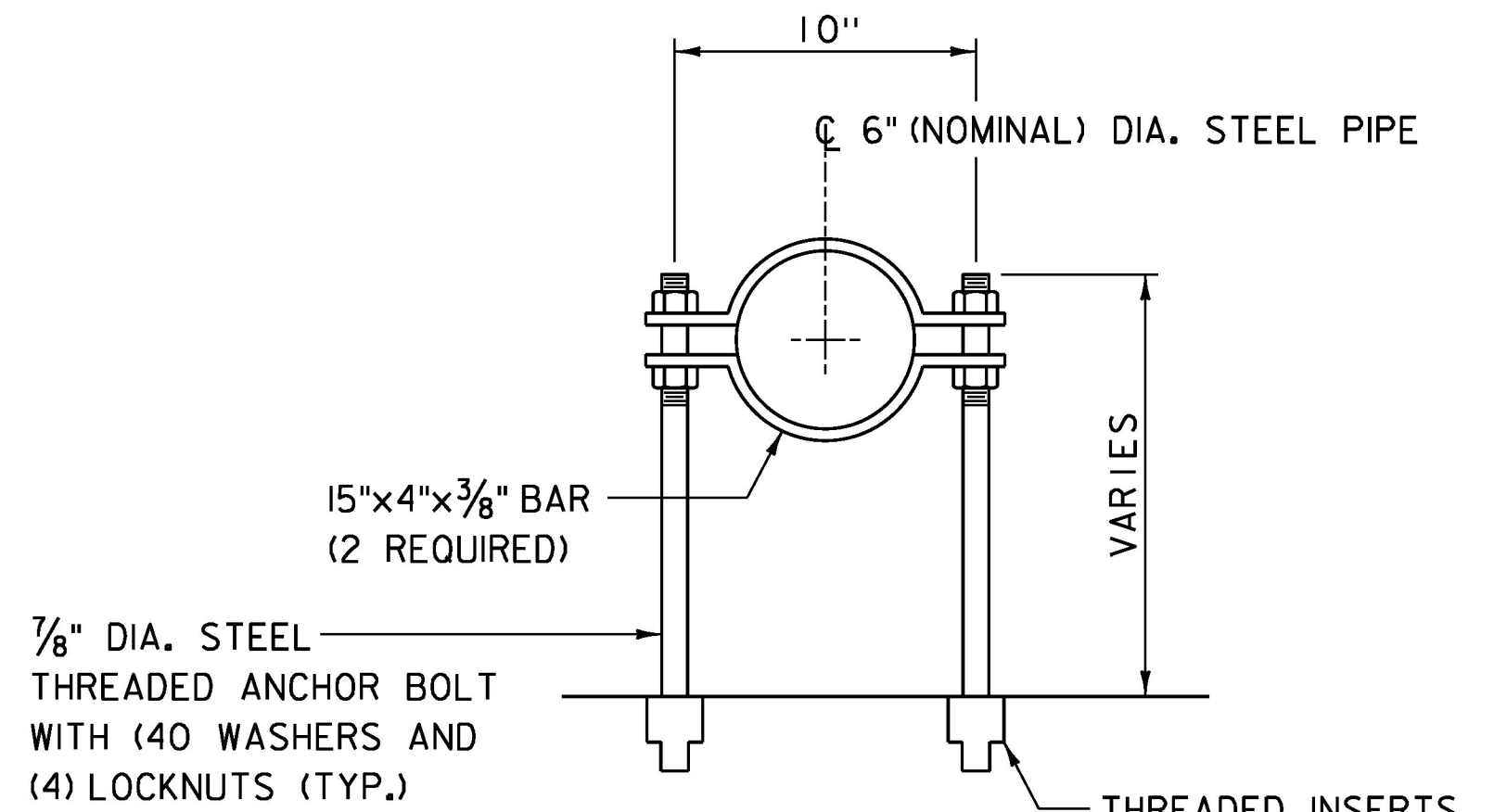


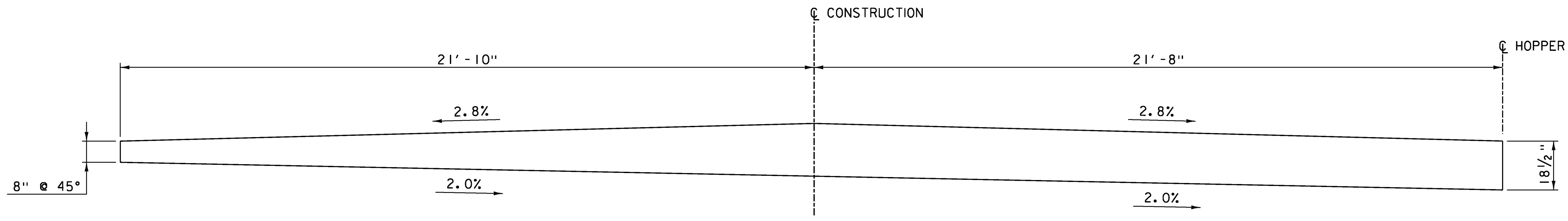
**DOWNSPOUT ELEVATION**  
SCALE: 1/2" = 1'-0"



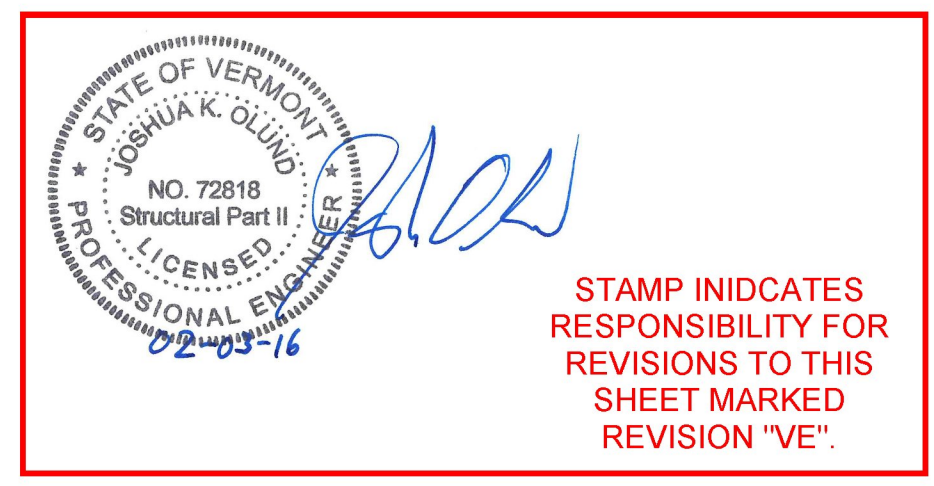
**END SECTION**  
SCALE: 1/2" = 1'-0"



**PIPE SUPPORT  
EXTENDED ATTACHMENT**  
SCALE: 2" = 1'-0"



**FABRIC DRAIN TROUGH PROFILE**  
SCALE: 1/2" = 1'-0"



REV	DATE	DESCRIPTION
△VE	02/03/16	REVISED ELEVATIONS FOR DECK CHANGE

PROJECT NAME:	WAITSFIELD
PROJECT NUMBER:	BRF 013-4(39)
FILE NAME:	z12b136abu+d+1s.dgn
PROJECT LEADER:	R.YOUNG
DESIGNED BY:	D.KULL
ABUTMENT NO. 2 HOPPER DETAILS	
PLOT DATE:	8/24/2015
DRAWN BY:	S.MERKWAN
CHECKED BY:	T.KENDRICK
SHEET	48 OF 69

