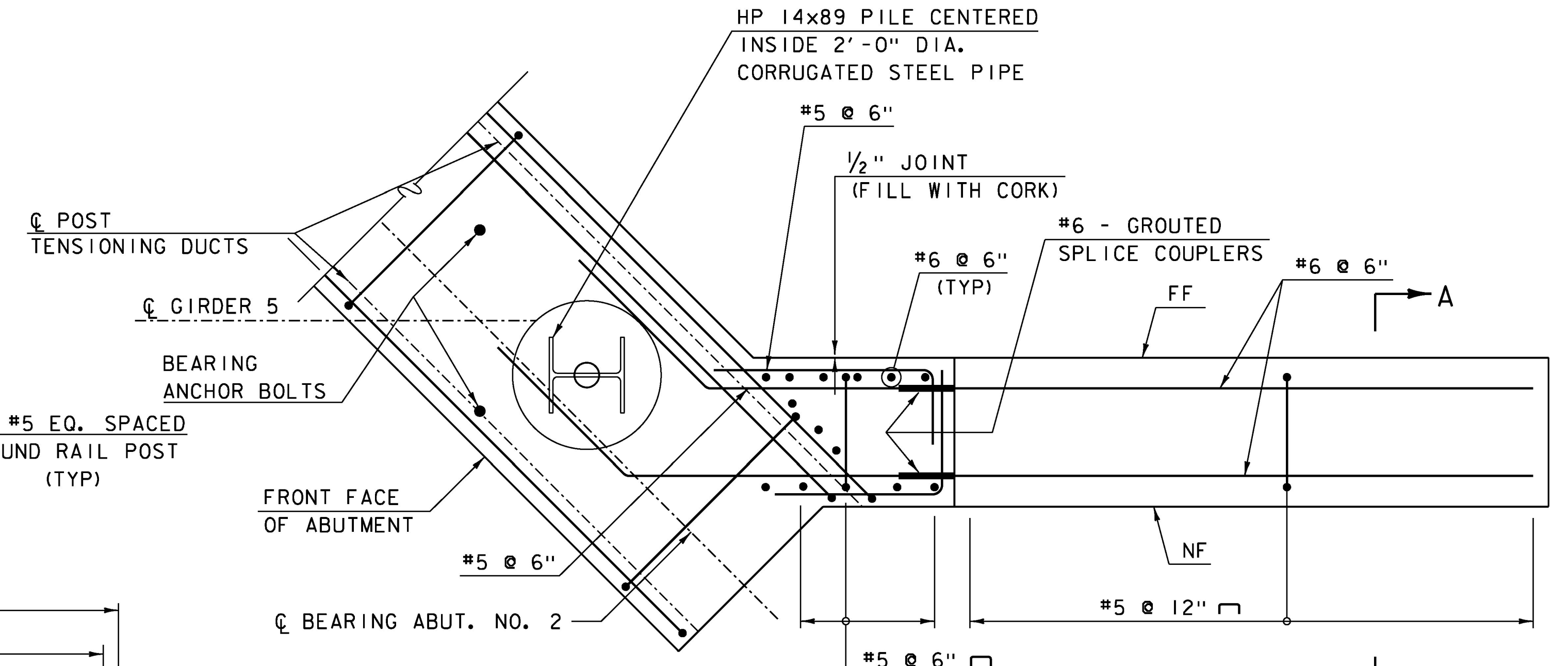
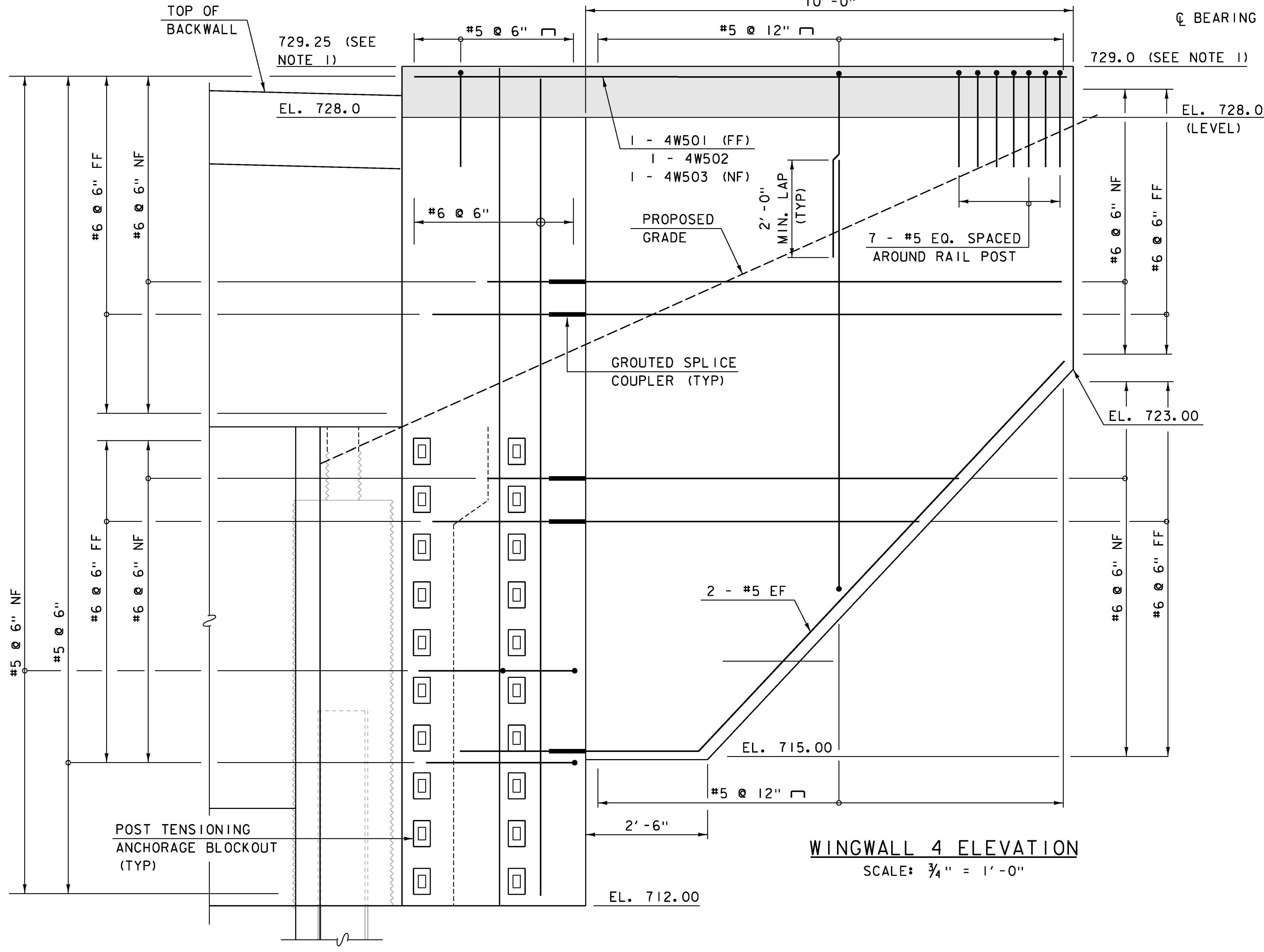


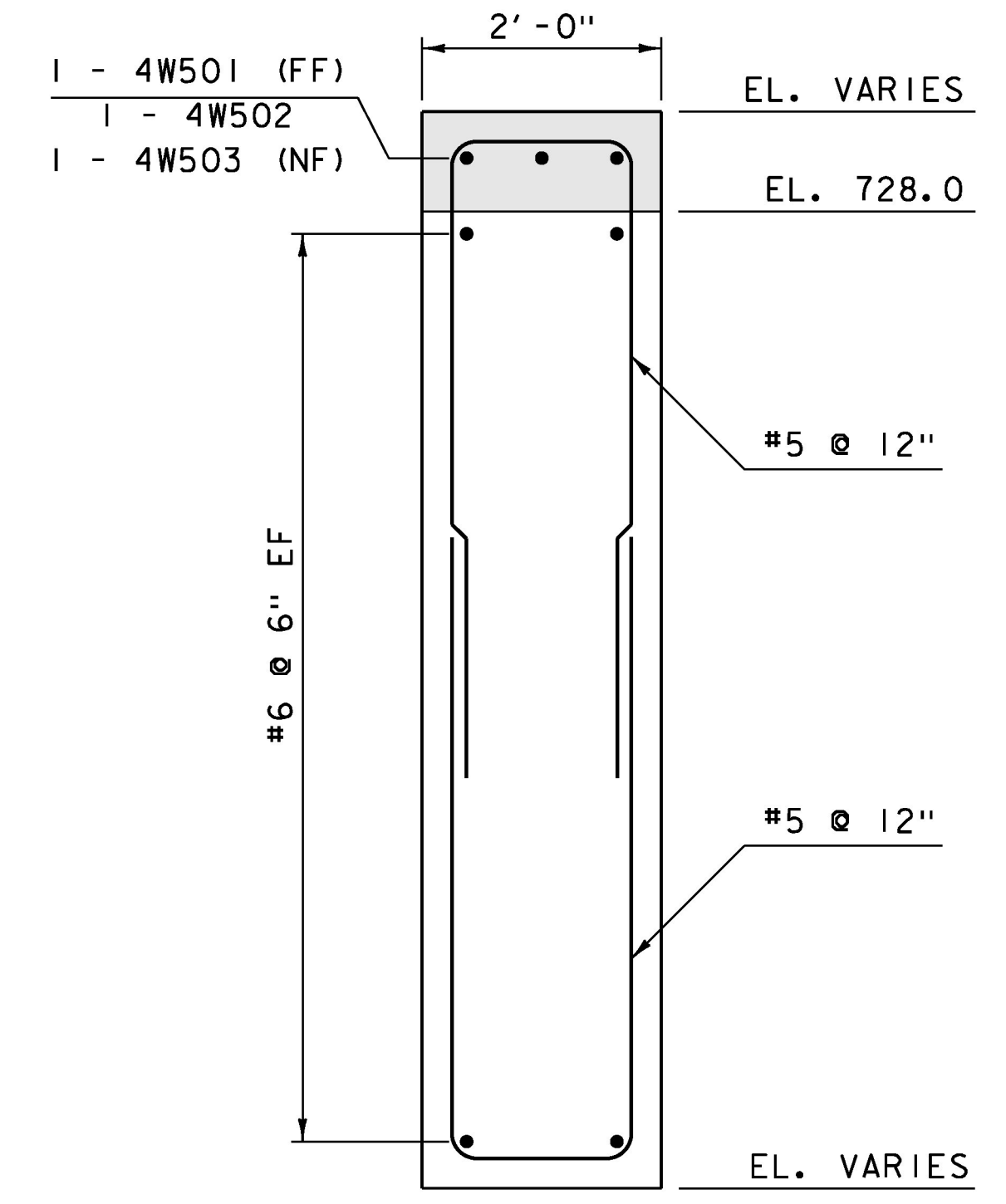
**WINGWALL 4 PLAN ABOVE BRIDGE SEAT**  
SCALE: 3/4" = 1'-0"



**WINGWALL 4 PLAN BELOW BRIDGE SEAT**  
SCALE: 3/4" = 1'-0"



**WINGWALL 4 ELEVATION**  
SCALE: 3/4" = 1'-0"



**SECTION A-A**  
SCALE: 3/4" = 1'-0"

**NOTES**

- TOP OF WINGWALL CURB ELEVATIONS ARE THEORETICAL AND SHALL MATCH CAST-IN-PLACE CURB ELEVATIONS ON DECK.

**KEY:**

- NF = NEAR FACE
- FF = FAR FACE
- EF = EACH FACE
- ▲ = CUT TO FIT IN FIELD 3" CLEAR, UNLESS OTHERWISE SPECIFIED ON THE PLANS.
- 2'-2" BAR LAP UNLESS OTHERWISE SPECIFIED ON THE PLANS.

**LEGEND**

CONCRETE, HIGH PERFORMANCE, CLASS A



PROJECT NAME: WAITSFIELD	PLOT DATE: 8/24/2015
PROJECT NUMBER: BRF 013-4(39)	DRAWN BY: S.MERKWAN
FILE NAME: z12b136wingd+1s.dgn	CHECKED BY: T.KENDRICK
PROJECT LEADER: R. YOUNG	ABUTMENT NO 2 WINGWALL DETAILS (2 OF 2) SHEET 47 OF 69
DESIGNED BY: D. KULL	