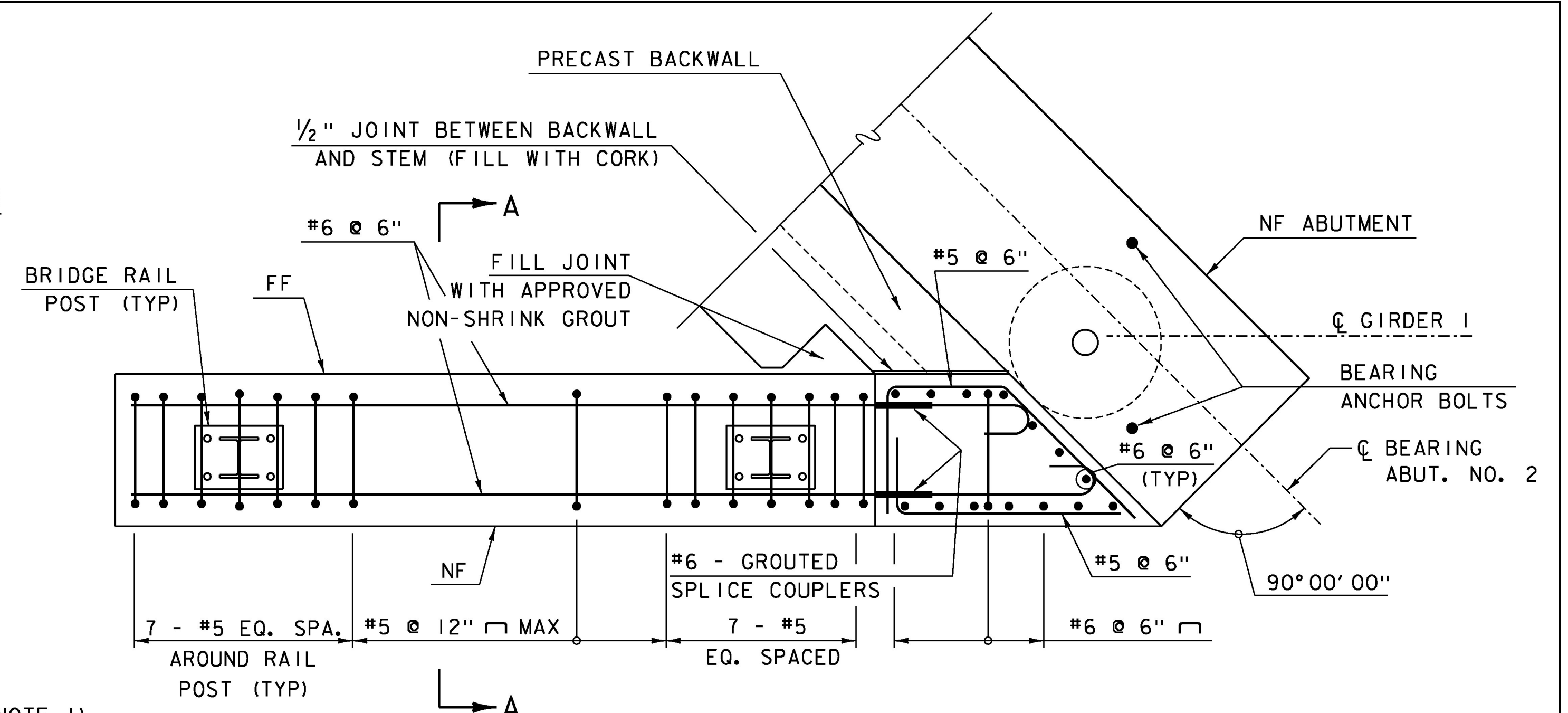
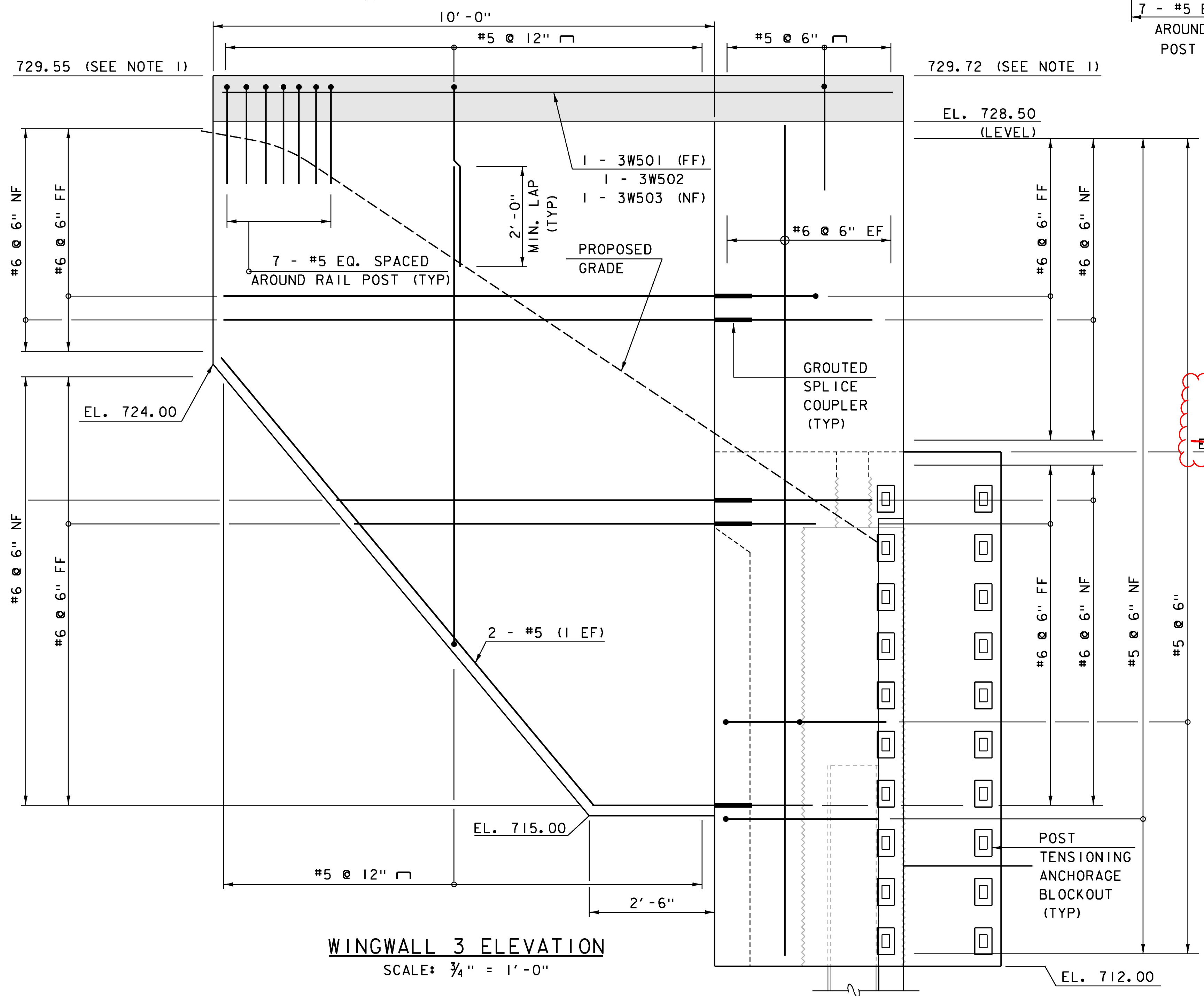


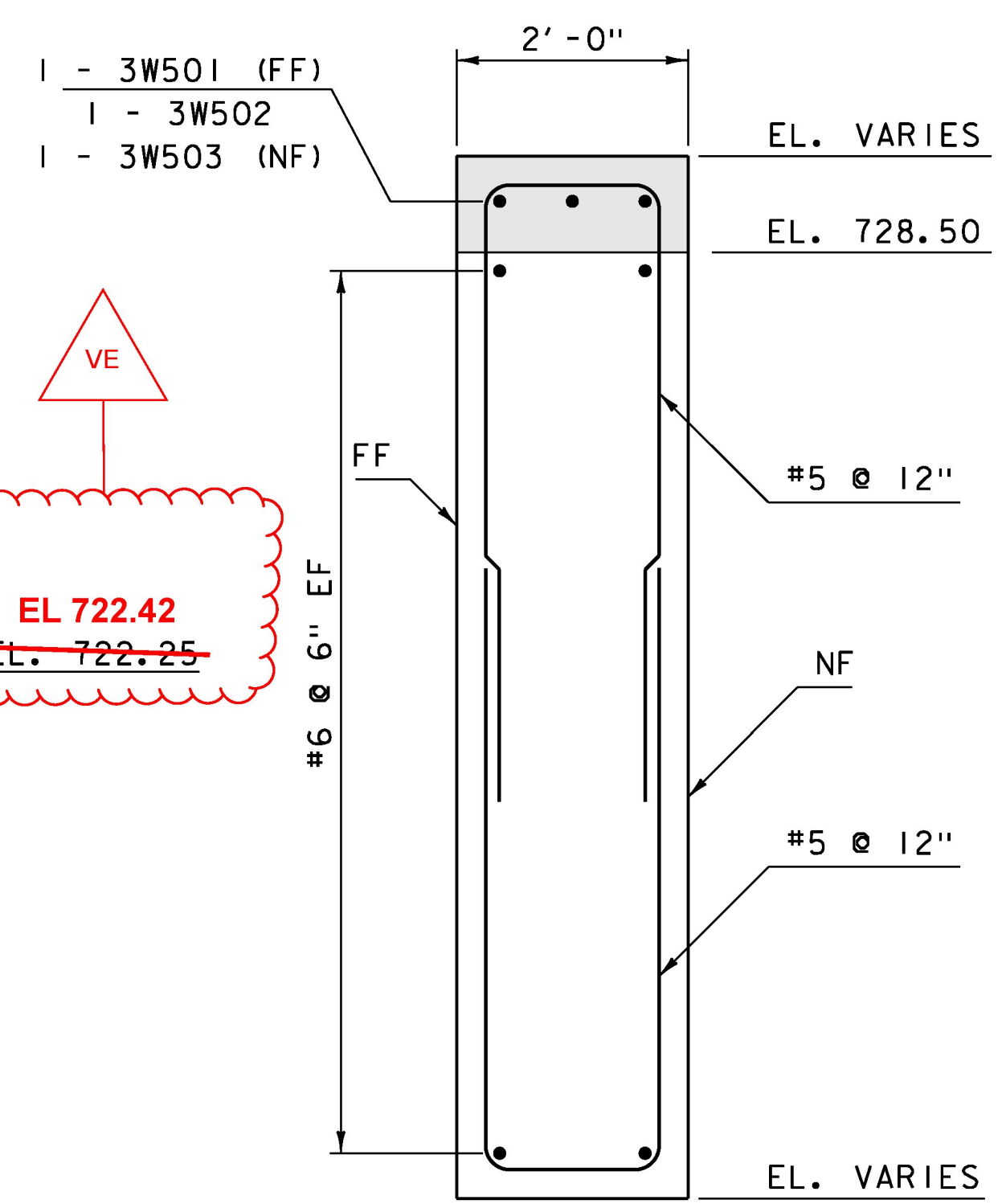
WINGWALL 3 PLAN BELOW BRIDGE SEAT
SCALE: 3/4" = 1'-0"



WINGWALL 3 PLAN ABOVE BRIDGE SEAT
SCALE: 3/4" = 1'-0"



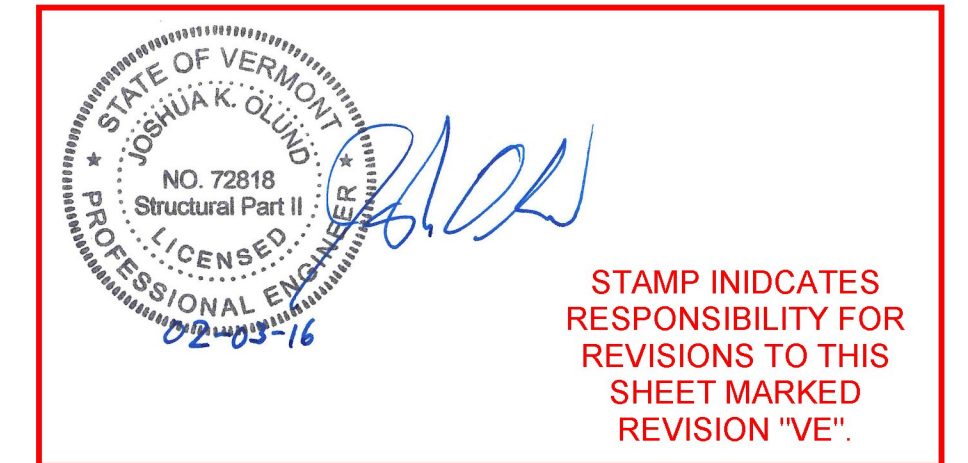
WINGWALL 3 ELEVATION
SCALE: 3/4" = 1'-0"



SECTION A-A
SCALE: 3/4" = 1'-0"

LEGEND

CONCRETE, HIGH PERFORMANCE, CLASS A



REV	DATE	DESCRIPTION
VE	02/03/16	REVISED ELEVATIONS FOR DECK CHANGE

NOTES

- TOP OF WINGWALL CURB ELEVATIONS ARE THEORETICAL AND SHALL MATCH CAST-IN-PLACE CURB ELEVATIONS ON DECK.

KEY:

- NF = NEAR FACE
- FF = FAR FACE
- EF = EACH FACE
- ▲ = CUT TO FIT IN FIELD 3" CLEAR, UNLESS OTHERWISE SPECIFIED ON THE PLANS.
- 2'-2" BAR LAP UNLESS OTHERWISE SPECIFIED ON THE PLANS.

PROJECT NAME: WAITSFIELD
PROJECT NUMBER: BRF 013-4(39)

FILE NAME: z12b136wingd+1s.dgn
PROJECT LEADER: R. YOUNG
DESIGNED BY: D. KULL

PLOT DATE: 8/24/2015
DRAWN BY: S. MERKWAN
CHECKED BY: T. KENDRICK

ABUTMENT NO 2 WINGWALL DETAILS (1 OF 2) SHEET 46 OF 69